

Parts Catalog

FARMTRAC

FARMTRAC 25GH IN 4WD

Escorts Agri Machinery

TABLE INDEX

| Sr No. | Table Name | Table No. | Page No. |
|---------------|---|------------------|-----------------|
| 1 | HOUSING ASSEMBLY SWIVEL FRONT AXLE RH WITH HARDWARE SUBASSEMBLY (4WD COMPACT) | 1 | 1-4 |
| 2 | Â HOUSING ASSEMBLY SWIVEL FRONT AXLE LH WITH HARDWARE SUBASSEMBLY (4WD COMPACT) | 2 | 5-8 |
| 3 | PILLOW BLOCK SUBASSEMBLY FRONT | 3 | 9-10 |
| 4 | PILLOW BLOCK SUBASSEMBLY REAR | 4 | 11-12 |
| 5 | HOUSING ASSEMBLY FRONT AXLE CENTER BEAM SUBASSEMBLY | 5 | 13-14 |
| 6 | OIL COOLER SYSTEM SUBASSEMBLY | 6 | 15-16 |
| 7 | TUBING OIL COOLER SUB SUBASSEMBLY | 7 | 17-18 |
| 8 | AXLE FRONT WITH CYLINDER AND LINK ASSEMBLY | 8 | 19-20 |
| 9 | COVER ASSEMBLY GUARD STEERING CYLINDER | 9 | 21-22 |
| 10 | FRONT AXLE SUBASSEMBLY | 10 | 23-24 |
| 11 | COVER AND SUPPORT FRONT AXLE SUB ASSEMBLY | 11 | 25-26 |
| 12 | WHEEL STEERING AND UNIT STEERING SUBASSEMBLY | 12 | 27-28 |
| 13 | TUBING POWER STEERING SUBASSEMBLY | 13 | 29-30 |
| 14 | WHEEL AND TYRE ASSEMBLY FRONT 23x8.50-12 (M/s BKT - INDUSTRIAL) | 14 | 31-32 |
| 15 | HOUSING ASSEMBLY INTERMEDIATE (HST) | 15 | 33-34 |
| 16 | RETAINER AND GEAR PAIR INPUT SUB ASSEMBLY WITH HARDWARE (HST) | 16 | 35-36 |
| 17 | CLUTCH WET PTO SUBASSEMBLY | 17 | 37-38 |
| 18 | DRIVE TRAIN 4WD SUBASSEMBLY | 18 | 39-40 |
| 19 | HST UNIT SUBASSEMBLY WITH HARDWARE | 19 | 41-42 |
| 20 | HOUSING FRONT HST ASSEMBLY | 20 | 43-44 |
| 21 | HARDWARE BUCKLE UP HOUSING INTERMEDIATE AND FRONT SUBASSEMBLY | 21 | 45-46 |
| 22 | TUBING SUBASSEMBLY HST UNIT | 22 | 47-48 |
| 23 | HOUSING REAR AXLE CENTRE SUBASSEMBLY (HST) | 23 | 49-50 |
| 24 | GEAR AND DIFFERENTIAL REAR AXLE SUBASSEMBLY | 24 | 51-52 |
| 25 | DIFFERENTIAL LOCK SUBASSEMBLY | 25 | 53-54 |
| 26 | RETAINER BEARING DIFFERENTIAL SUBASSEMBLY LH | 26 | 55-56 |
| 27 | RETAINER BEARING DIFFERENTIAL SUBASSEMBLY RH | 27 | 57-58 |
| 28 | HOUSING REAR AXLE RH SUBASSEMBLY | 28 | 59-60 |
| 29 | HOUSING REAR AXLE LH SUBASSEMBLY | 29 | 61-62 |
| 30 | PTO MID DRIVE TRAIN ASSEMBLY | 30 | 63-66 |

TABLE INDEX

| Sr No. | Table Name | Table No. | Page No. |
|---------------|---|------------------|-----------------|
| 31 | PLATE INTERMEDIATE TRANSMISSION ASSEMBLY (Z-24) | 31 | 67-68 |
| 32 | DRIVE TRAIN RANGE GEAR ASSEMBLY | 32 | 69-70 |
| 33 | RANGE GEAR SHIFTING ASSEMBLY (COMPACT) | 33 | 71-72 |
| 34 | HARDWARE BUCKLE UP TRANSMISSION AND REAR AXLE SUBASSEMBLY | 34 | 73-74 |
| 35 | COUPLING ASSEMBLY ELECTRO-HST | 35 | 75-76 |
| 36 | DRESSED UP COMPONENTS TRANSMISSION SUBASSEMBLY (HST) | 36 | 77-78 |
| 37 | GUARD PROPELLER SHAFT SUBASSEMBLY | 37 | 79-80 |
| 38 | SHAFT PROPELLER AND COUPLING ASSEMBLY (4WD COMPACT ELECTRO-HST) | 38 | 81-82 |
| 39 | LEVER PTO GEAR SHIFT SUBASSEMBLY | 39 | 83-84 |
| 40 | LEVER CONTROL 2WD 4WD SUBASSEMBLY | 40 | 85-86 |
| 41 | LEVER POSITION CONTROL SUBASSEMBLY | 41 | 87-88 |
| 42 | LEVER RANGE HIGH LOW MEDIUM GEAR SHIFT SUBASSEMBLY | 42 | 89-90 |
| 43 | LEVER MID PTO GEAR SHIFT SUBASSEMBLY | 43 | 91-92 |
| 44 | LINKAGE ASSEMBLY DIFFERENTIAL LOCK CONTROL | 44 | 93-94 |
| 45 | PEDAL SPEED CONTROL AND CRUISE CONTROL SUBASSEMBLY | 45 | 95-96 |
| 46 | BRAKE LINKAGE SUBASSEMBLY | 46 | 97-98 |
| 47 | WHEEL AND TYRE ASSEMBLY REAR 33x15.50-16.50 (M/s BKT - INDUSTRIAL) | 47 | 99-100 |
| 48 | HYDRAULIC LIFT SUBASSEMBLY WITH PC LEVER ONLY (COMPACT TRACTOR) | 48 | 101-102 |
| 49 | DRAFT SENSING HYDRAULIC SUBASSEMBLY (COMPACT) | 49 | 103-104 |
| 50 | CYLINDER PISTON AND VALVE SUBASSEMBLY (COMPACT) | 50 | 105-106 |
| 51 | POWER TRANSFER SUBASSEMBLY (COMPACT) | 51 | 107-108 |
| 52 | QUADRANT HYDRAULIC SUBASSEMBLY COMPACT | 52 | 109-110 |
| 53 | CONTROL LINKAGES HYDRAULIC SUBASSEMBLY COMPACT | 53 | 111-112 |
| 54 | COVER HYDRAULIC SUBASSEMBLY COMPACT (WITH PC LEVER ONLY) | 54 | 113-114 |
| 55 | TUBING HYDRAULIC SUBASSEMBLY | 55 | 115-116 |
| 56 | SPOOL VALVE ASSEMBLY (COMPACT ELECTRIC HST) | 56 | 117-118 |
| 57 | SWINGING DRAWBAR SUB ASSEMBLY | 57 | 119-120 |
| 58 | TUBING HYDRAULIC SUBASSEMBLY (ELECTRIC HST) | 58 | 121-122 |
| 59 | PUMP HYDRAULIC LIFT AND MOTOR SUBASSEMBLY HYDRAULIC LIFT PUMP FOR CET-HST | 59 | 123-124 |
| 60 | HYDRAULIC CONTROL SUBASSEMBLY | 60 | 125-126 |

TABLE INDEX

| Sr No. | Table Name | Table No. | Page No. |
|---------------|--|------------------|-----------------|
| 61 | LINKAGE THREE POINT SUBASSEMBLY | 61 | 127-128 |
| 62 | SOCKET NORMAL CHARGING ASSEMBLY EU | 62 | 129-130 |
| 63 | HARNESS SUBASSEMBLY CET-HST(USA) | 63 | 131-132 |
| 64 | PLATE AND GUIDE RAIL ASSEMBLY BATTERY BOX | 64 | 133-134 |
| 65 | BOX ELECTRONIC AND CONTROLLER SUBASSEMBLY | 65 | 135-136 |
| 66 | LIGHT REAR SUB ASSEMBLY(USA) | 66 | 137-138 |
| 67 | DASHBOARD LOWER AND BATTERY SIDE COVER SUB ASSEMBLY | 67 | 139-140 |
| 68 | MOTOR AND HOUSING SUBASSEMBLY | 68 | 141-142 |
| 69 | BATTERY CUTOFF SUBASSEMBLY | 69 | 143-144 |
| 70 | HEADLAMP AND BRACKET MOUNTING ASSEMBLY LHD | 70 | 145-146 |
| 71 | BOX BATTERY AND GUIDE RAIL SUBASSEMBLY | 71 | 147-148 |
| 72 | COVER CHARGER SUBASSEMBLY | 72 | 149-150 |
| 73 | ELECTRICAL ACCESSORIES SUBASSEMBLY CET-HST(USA) | 73 | 151-152 |
| 74 | HOOD FRONT SUBASSEMBLY | 74 | 153-156 |
| 75 | LATCH ASSEMBLY HOOD FRONT | 75 | 157-158 |
| 76 | HOOD REAR SUB ASSEMBLY(CET-HST) | 76 | 159-160 |
| 77 | FRAME HOOD FRONT SUBASSEMBLY | 77 | 161-162 |
| 78 | STRUT BONNET OPENING ASSEMBLY | 78 | 163-164 |
| 79 | FENDER SUBASSEMBLY (INDUSTRIAL / TURF TYRES) | 79 | 165-168 |
| 80 | ROPS FOLDABLE SUBASSEMBLY COMPACT | 80 | 169-170 |
| 81 | BOARD RUNNING RH AND LH SUBASSEMBLY (HST) | 81 | 171-172 |
| 82 | SEAT DRIVER SUBASSEMBLY (EXPORT) | 82 | 173-174 |
| 83 | HANGER FRONT WEIGHT AND BOLT ASSEMBLY | 83 | 175-176 |
| 84 | ACCESSORIES SUBASSEMBLY (USA) | 84 | 177-178 |
| 85 | DECAL AND BADGES MODEL IDENTIFICATION ASSEMBLY ELECTRIC (ALL VARIANTS-HST) | 85 | 179-180 |

TABLE-1
HOUSING ASSEMBLY SWIVEL FRONT AXLE RH WITH HARDWARE SUBASSEMBLY (4WD COMPACT)

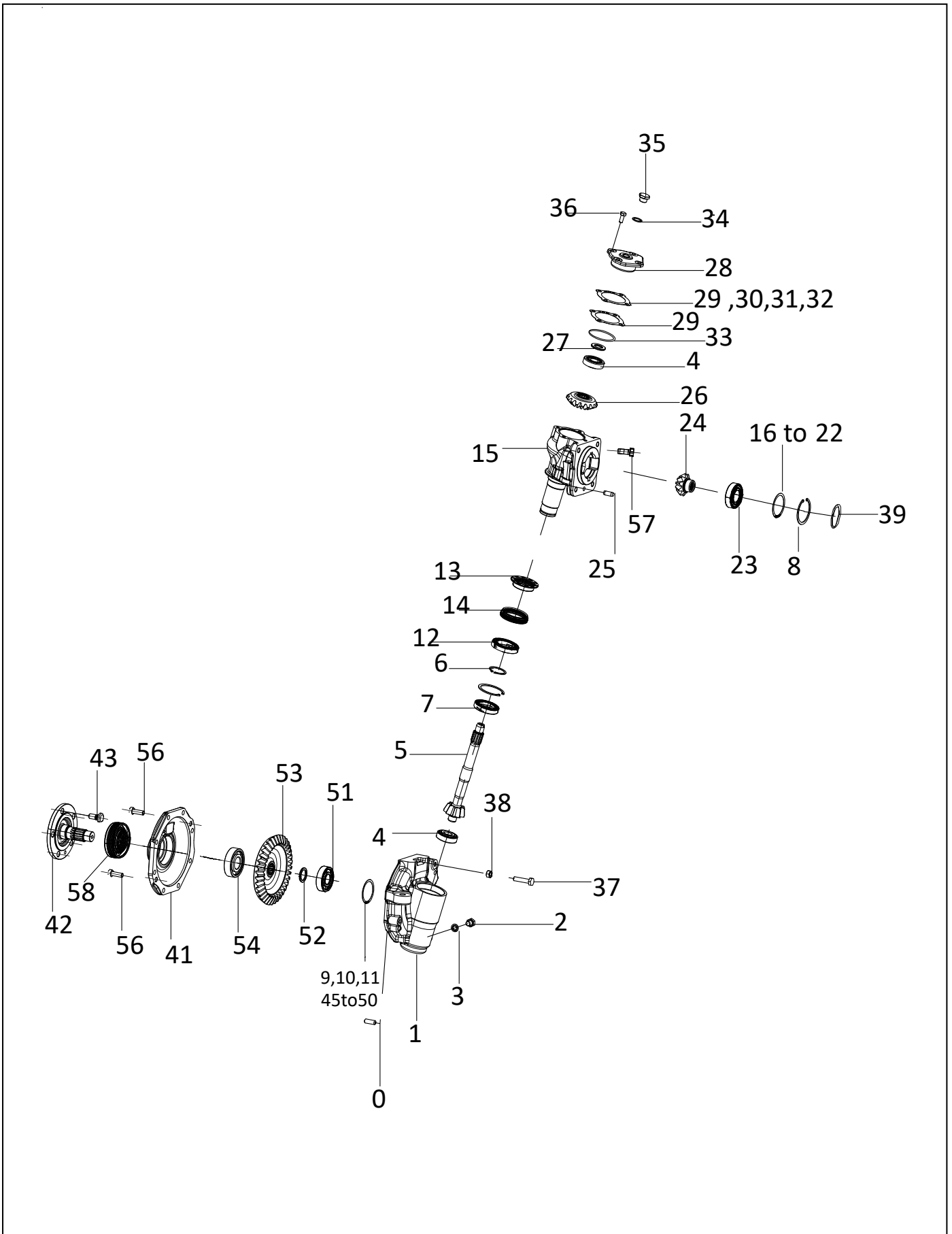


TABLE-1**HOUSING ASSEMBLY SWIVEL FRONT AXLE RH WITH HARDWARE SUBASSEMBLY (4WD COMPACT)**

| Fig. No. | Part No. | Description | Qty |
|----------|---------------|--|-----|
| 1 | D10528120.9 | HOUSING SWIVEL FRONT AXLE RH | 1 |
| 2 | D82501210.9 | SCREW M12X1.75X12-8.8 HEX HEAD | 1 |
| 3 | D10161480.9 | WASHER 12.0X22.0 SCREW RAIL | 1 |
| 4 | D10533270.9 | BEARING TAPER ROLLER 30304 | 2 |
| 5 | D10528100.9 | SHAFT DRIVER BEVEL GEAR Z-9 | 1 |
| 6 | D90000660.9 | CIRCLIP A40X2.5 H | 1 |
| 7 | D10538670.9 | BEARING BALL 6908 | 1 |
| 8 | D90500410.9 | CIRCLIP B62X2.0 N (IS 3075 PART-II) | 2 |
| 9 | D10542380.9 | SHIM 60X50 (0.075 MM) | 1 |
| 10 | D10542390.9 | SHIM 60X50 (0.2285 MM) | 1 |
| 11 | D10542400.9 | SHIM 60.X50 (0.4065 MM) | 1 |
| 12 | D10538680.9 | BEARING BALL 6909 | 1 |
| 13 | D10550290.9 | SLEEVE OIL SEAL SWIVEL HOUSING | 1 |
| 14 | D10550300.9 | SEAL OIL SWIVEL HOUSING 52X70X10 | 1 |
| 15 | D10528130AD.9 | HOUSING KNUCKLE FRONT AXLE | 1 |
| 16 | D10542310.9 | SHIM 61.8X51 (0.2285 MM) | 1 |
| 17 | D10542320.9 | SHIM 61.8X51 (0.4065 MM) | 1 |
| 18 | D10542330.9 | SHIM 61.8X51 (0.5335 MM) | 1 |
| 19 | D10542340.9 | SHIM 61.8X51 (0.7875 MM) | 1 |
| 20 | D10542350.9 | SHIM 61.8X51 (1 MM) | 1 |
| 21 | D10542360.9 | SHIM 61.8X51 (1.2 MM) | 1 |
| 22 | D10542370.9 | SHIM 61.8X51 (1.5 MM) | 1 |
| 23 | D10170200.9 | BEARING BALL 6206 | 1 |
| 24 | D11015950AA.9 | GEAR DRIVER BEVEL KNUCKLE Z-10 | 1 |
| 25 | D10159950.9 | DOWEL POSITIONING 10X25 | 3 |
| 26 | D11015940AA.9 | GEAR DRIVEN BEVEL KNUCKLE Z-16 | 1 |
| 27 | D85500450.9 | WASHER 36.0X20.0X3.0 | 1 |
| 28 | D10542450.9 | COVER KNUCKLE HOUSING | 1 |
| 29 | D10544670.9 | SHIM COVER KNUCKLE (0.075 MM) | 1 |
| 30 | D10544680.9 | SHIM COVER KNUCKLE (0.125 MM) | 1 |
| 31 | D10544690.9 | SHIM COVER KNUCKLE (0.2285 MM) | 1 |
| 32 | D10544700.9 | SHIM COVER KNUCKLE (0.4065 MM) | 1 |
| 33 | D93601100.9 | SEAL O RING 2.62X62.00 | 1 |
| 34 | D10005880.9 | WASHER M18 FLAT COPPER | 1 |
| 35 | D10006500.9 | PLUG M18X1.5X12-6.8 HEX HEAD | 1 |
| 36 | D81500110.9 | BOLT M8X1.25X20-8.8 HEX HEAD | 4 |
| 37 | D81503330.9 | BOLT M10X1.50X45-8.8 HEX HEAD WITH ROUNDED TOP | 1 |
| 38 | D83500090.9 | NUT M10X1.50-8 HEX | 1 |
| 39 | D10547400.9 | SEAL O RING 3.53X95.0 | 1 |
| 40 | D95000410.9 | LOCTITE 574 | AR |

TABLE-1
HOUSING ASSEMBLY SWIVEL FRONT AXLE RH WITH HARDWARE SUBASSEMBLY (4WD COMPACT)

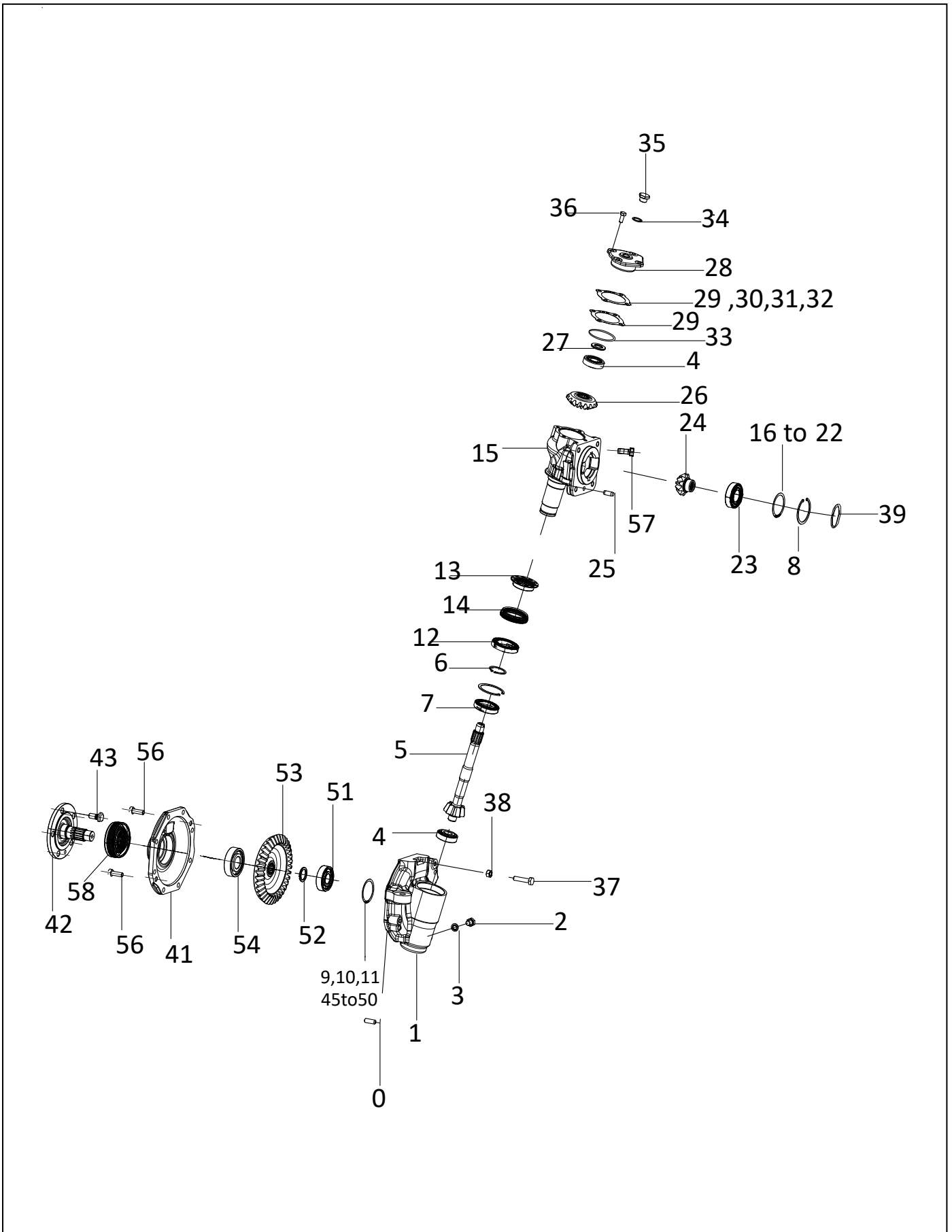


TABLE-1**HOUSING ASSEMBLY SWIVEL FRONT AXLE RH WITH HARDWARE SUBASSEMBLY (4WD COMPACT)**

| Fig. No. | Part No. | Description | Qty |
|-----------------|-----------------|--------------------------------------|------------|
| 41 | D10528080.9 | HOUSING WHEEL FRONT AXLE | 1 |
| 42 | D10528070.9 | SHAFT FRONT AXLE WHEEL | 1 |
| 43 | D10541620.9 | BOLT M12X1.5 FRONT WHEEL HUB | 5 |
| 45 | D10537800.9 | SHIM REAR AXLE SHAFT (0.075 MM) | 1 |
| 46 | D10537810.9 | SHIM REAR AXLE SHAFT (0.125 MM) | 1 |
| 47 | D10537820.9 | SHIM REAR AXLE SHAFT (0.2285 MM) | 1 |
| 48 | D10537830.9 | SHIM REAR AXLE SHAFT (0.4065 MM) | 1 |
| 49 | D10537840.9 | SHIM REAR AXLE SHAFT (0.5335 MM) | 1 |
| 50 | D10537850.9 | SHIM REAR AXLE SHAFT (0.7875 MM) | 1 |
| 51 | D10533260.9 | BEARING BALL 6306 | 1 |
| 52 | D10542420.9 | WASHER SPLIT WHEEL END | 2 |
| 53 | D10528090.9 | GEAR DRIVEN BEVEL WHEEL Z-37 | 1 |
| 54 | D10170170.9 | BEARING BALL 6305 | 1 |
| 55 | D95000410.9 | LOCTITE 574 | 2 |
| 56 | D81502320.9 | BOLT M10X1.50X30-10.9 HEX HEAD | 8 |
| 57 | D82500610.9 | SCREW M12X1.75X30-10.9 | 4 |
| 58 | D10452820AD.9 | SEAL OIL 35X60X14.5 PTO OUTPUT SHAFT | 1 |

TABLE-2

À HOUSING ASSEMBLY SWIVEL FRONT AXLE LH WITH HARDWARE SUBASSEMBLY (4WD COMPACT)

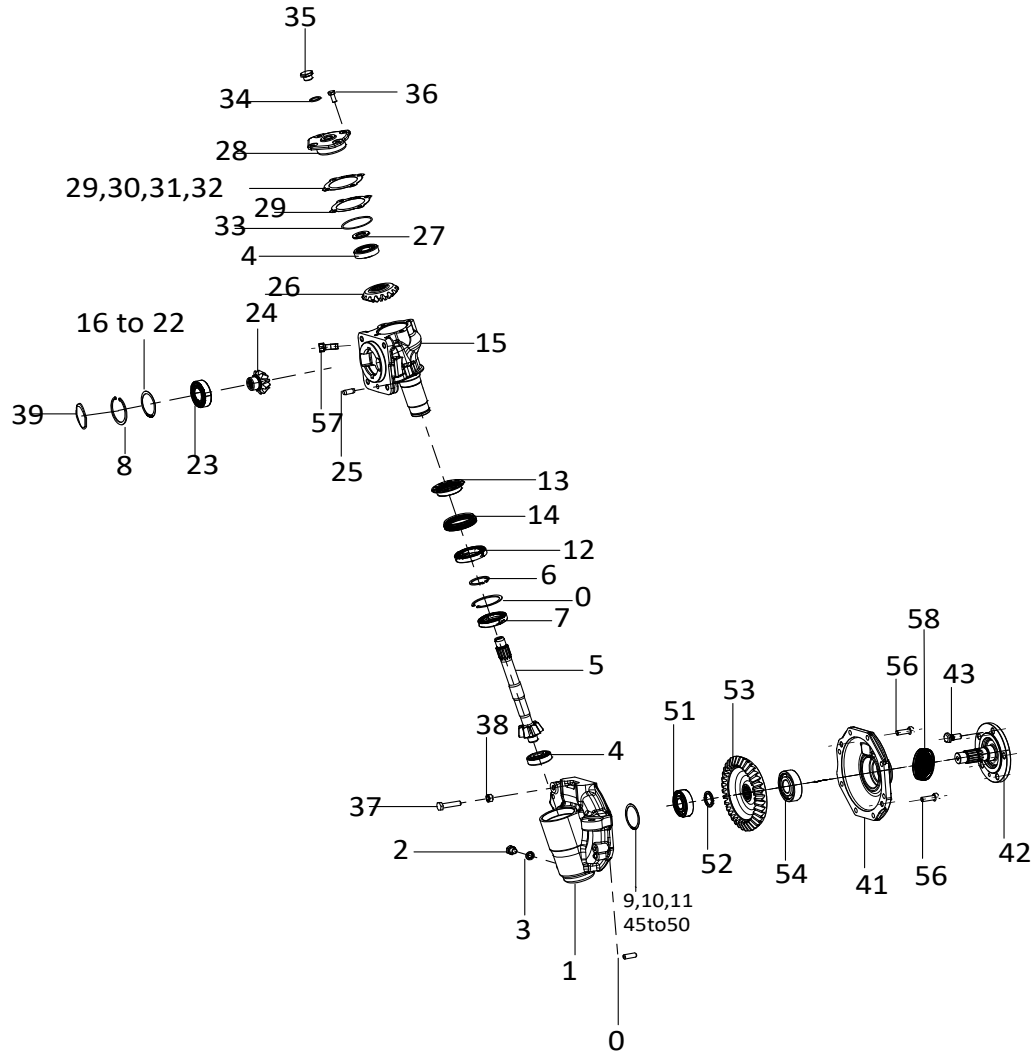


TABLE-2**Â HOUSING ASSEMBLY SWIVEL FRONT AXLE LH WITH HARDWARE SUBASSEMBLY (4WD COMPACT)**

| Fig. No. | Part No. | Description | Qty |
|----------|---------------|--|-----|
| 1 | D10528110.9 | HOUSING SWIVEL FRONT AXLE LH | 1 |
| 2 | D82501210.9 | SCREW M12X1.75X12-8.8 HEX HEAD | 1 |
| 3 | D10161480.9 | WASHER 12.0X22.0 SCREW RAIL | 1 |
| 4 | D10533270.9 | BEARING TAPER ROLLER 30304 | 2 |
| 5 | D10528100.9 | SHAFT DRIVER BEVEL GEAR Z-9 | 1 |
| 6 | D90000660.9 | CIRCLIP A40X2.5 H | 1 |
| 7 | D10538670.9 | BEARING BALL 6908 | 1 |
| 8 | D90500410.9 | CIRCLIP B62X2.0 N (IS 3075 PART-II) | 2 |
| 9 | D10542380.9 | SHIM 60X50 (0.075 MM) | 1 |
| 10 | D10542390.9 | SHIM 60X50 (0.2285 MM) | 1 |
| 11 | D10542400.9 | SHIM 60.X50 (0.4065 MM) | 1 |
| 12 | D10538680.9 | BEARING BALL 6909 | 1 |
| 13 | D10550290.9 | SLEEVE OIL SEAL SWIVEL HOUSING | 1 |
| 14 | D10550300.9 | SEAL OIL SWIVEL HOUSING 52X70X10 | 1 |
| 15 | D10528130AD.9 | HOUSING KNUCKLE FRONT AXLE | 1 |
| 16 | D10542310.9 | SHIM 61.8X51 (0.2285 MM) | 1 |
| 17 | D10542320.9 | SHIM 61.8X51 (0.4065 MM) | 1 |
| 18 | D10542330.9 | SHIM 61.8X51 (0.5335 MM) | 1 |
| 19 | D10542340.9 | SHIM 61.8X51 (0.7875 MM) | 1 |
| 20 | D10542350.9 | SHIM 61.8X51 (1 MM) | 1 |
| 21 | D10542360.9 | SHIM 61.8X51 (1.2 MM) | 1 |
| 22 | D10542370.9 | SHIM 61.8X51 (1.5 MM) | 1 |
| 23 | D10170200.9 | BEARING BALL 6206 | 1 |
| 24 | D11015950AA.9 | GEAR DRIVER BEVEL KNUCKLE Z-10 | 1 |
| 25 | D10159950.9 | DOWEL POSITIONING 10X25 | 3 |
| 26 | D11015940AA.9 | GEAR DRIVEN BEVEL KNUCKLE Z-16 | 1 |
| 27 | D85500450.9 | WASHER 36.0X20.0X3.0 | 1 |
| 28 | D10542450.9 | COVER KNUCKLE HOUSING | 1 |
| 29 | D10544670.9 | SHIM COVER KNUCKLE (0.075 MM) | 1 |
| 30 | D10544680.9 | SHIM COVER KNUCKLE (0.125 MM) | 1 |
| 31 | D10544690.9 | SHIM COVER KNUCKLE (0.2285 MM) | 1 |
| 32 | D10544700.9 | SHIM COVER KNUCKLE (0.4065 MM) | 1 |
| 33 | D93601100.9 | SEAL O RING 2.62X62.00 | 1 |
| 34 | D10005880.9 | WASHER M18 FLAT COPPER | 1 |
| 35 | D10006500.9 | PLUG M18X1.5X12-6.8 HEX HEAD | 1 |
| 36 | D81500110.9 | BOLT M8X1.25X20-8.8 HEX HEAD | 4 |
| 37 | D81503330.9 | BOLT M10X1.50X45-8.8 HEX HEAD WITH ROUNDED TOP | 1 |
| 38 | D83500090.9 | NUT M10X1.50-8 HEX | 1 |
| 39 | D10547400.9 | SEAL O RING 3.53X95.0 | 1 |
| 40 | D95000410.9 | LOCTITE 574 | AR |

TABLE-2

À HOUSING ASSEMBLY SWIVEL FRONT AXLE LH WITH HARDWARE SUBASSEMBLY (4WD COMPACT)

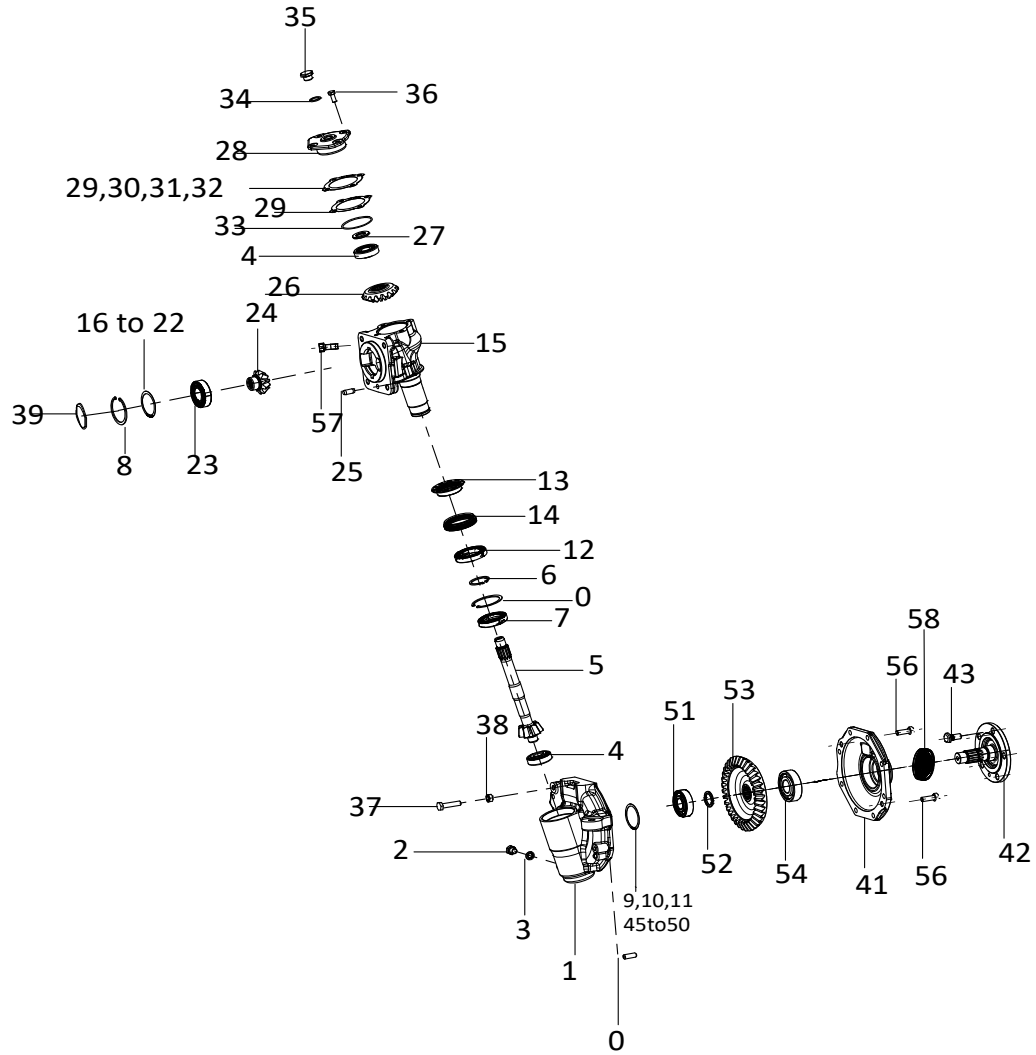


TABLE-2**Â HOUSING ASSEMBLY SWIVEL FRONT AXLE LH WITH HARDWARE SUBASSEMBLY (4WD COMPACT)**

| Fig. No. | Part No. | Description | Qty |
|-----------------|-----------------|--------------------------------------|------------|
| 41 | D10528080.9 | HOUSING WHEEL FRONT AXLE | 1 |
| 42 | D10528070.9 | SHAFT FRONT AXLE WHEEL | 1 |
| 43 | D10541620.9 | BOLT M12X1.5 FRONT WHEEL HUB | 5 |
| 45 | D10537800.9 | SHIM REAR AXLE SHAFT (0.075 MM) | 1 |
| 46 | D10537810.9 | SHIM REAR AXLE SHAFT (0.125 MM) | 1 |
| 47 | D10537820.9 | SHIM REAR AXLE SHAFT (0.2285 MM) | 1 |
| 48 | D10537830.9 | SHIM REAR AXLE SHAFT (0.4065 MM) | 1 |
| 49 | D10537840.9 | SHIM REAR AXLE SHAFT (0.5335 MM) | 1 |
| 50 | D10537850.9 | SHIM REAR AXLE SHAFT (0.7875 MM) | 1 |
| 51 | D10533260.9 | BEARING BALL 6306 | 1 |
| 52 | D10542420.9 | WASHER SPLIT WHEEL END | 2 |
| 53 | D10528090.9 | GEAR DRIVEN BEVEL WHEEL Z-37 | 1 |
| 54 | D10170170.9 | BEARING BALL 6305 | 1 |
| 55 | D95000410.9 | LOCTITE 574 | 2 |
| 56 | D81502320.9 | BOLT M10X1.50X30-10.9 HEX HEAD | 8 |
| 57 | D82500610.9 | SCREW M12X1.75X30-10.9 | 4 |
| 58 | D10452820AD.9 | SEAL OIL 35X60X14.5 PTO OUTPUT SHAFT | 1 |

TABLE-3
PILLOW BLOCK SUBASSEMBLY FRONT

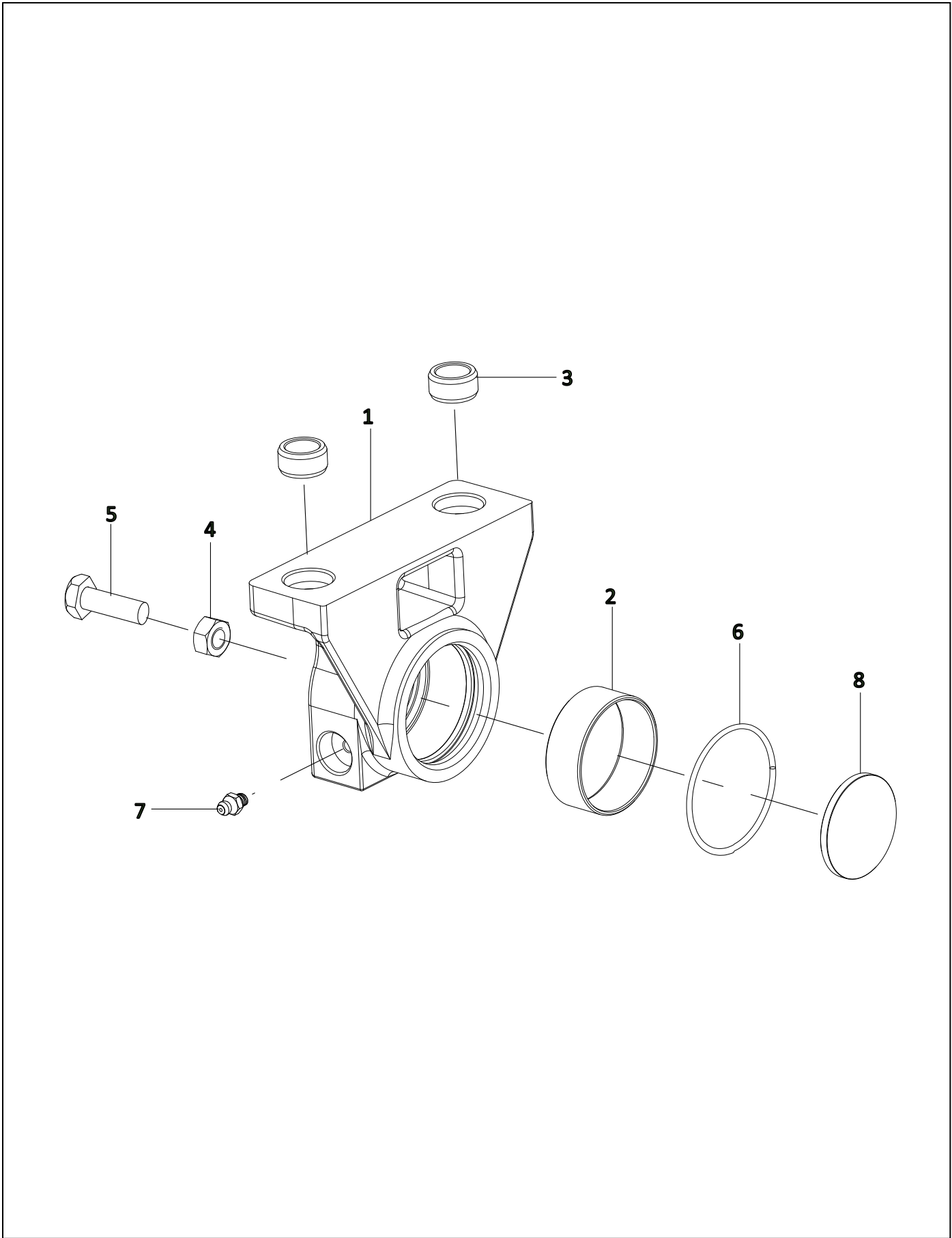


TABLE-3
PILLOW BLOCK SUBASSEMBLY FRONT

| Fig. No. | Part No. | Description | Qty |
|----------|-------------|--------------------------------|-----|
| 1 | D10543050.9 | PILLOW BLOCK ASSEMBLY FRONT | 1 |
| 2 | D10542430.9 | BUSH PILLOW BLOCK FRONT | 1 |
| 3 | D10548830.9 | DOWEL BUSH PILLOW BLOCK | 2 |
| 4 | D83500090.9 | NUT M10X1.50-8 HEX | 1 |
| 5 | D81500210.9 | BOLT M10X1.50X35-6.6P HEX HEAD | 1 |
| 6 | D10547380.9 | SEAL O RING 2.62X55.0 | 1 |
| 7 | D92500010.9 | GREASE NIPPLE B M6 | 1 |
| 8 | D10542460.9 | WASHER 48.0X4.0 THRUST | 1 |

TABLE-4
PILLOW BLOCK SUBASSEMBLY REAR

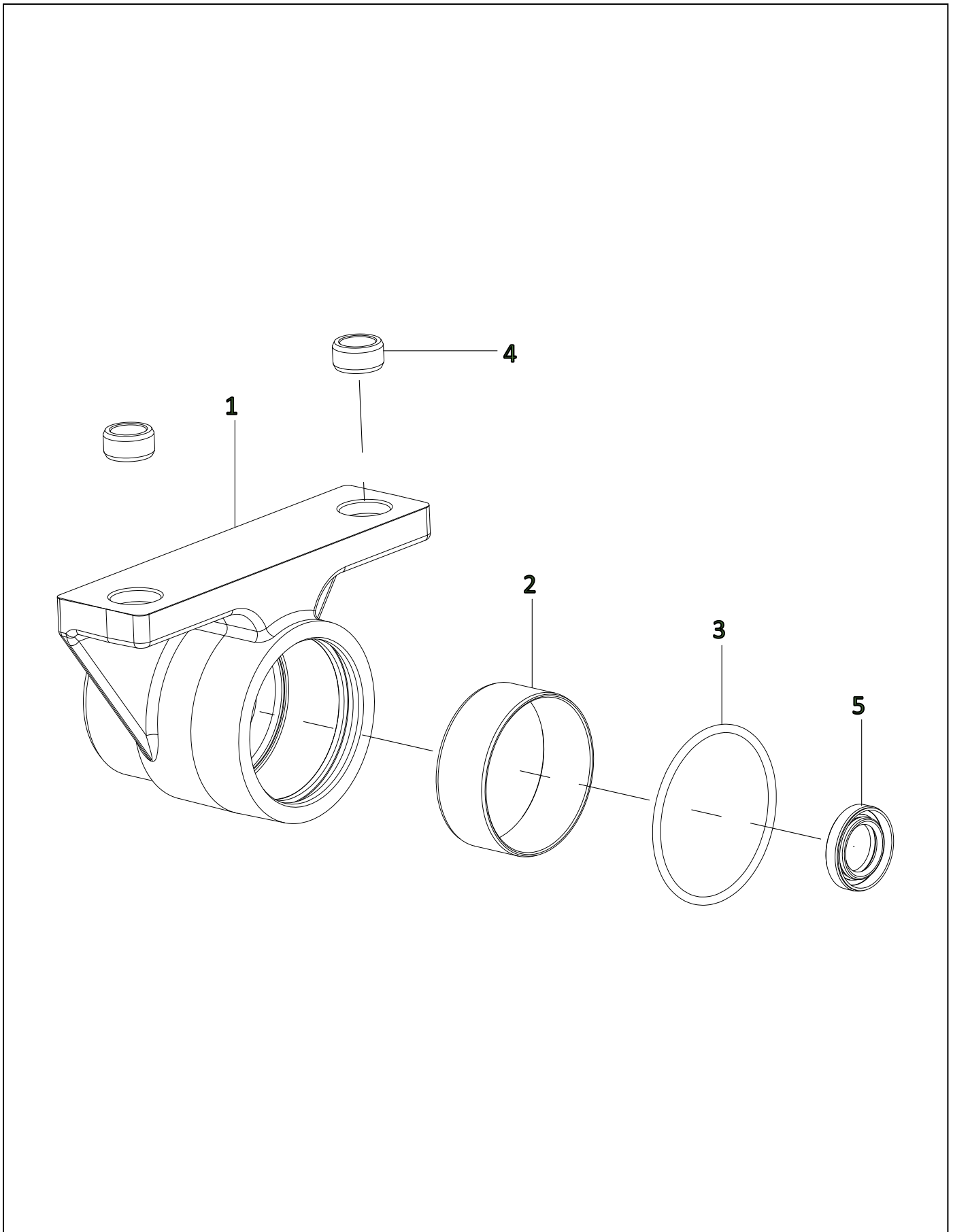


TABLE-4
PILLOW BLOCK SUBASSEMBLY REAR

| Fig. No. | Part No. | Description | Qty |
|----------|-------------|----------------------------|-----|
| 1 | D10543060.9 | PILLOW BLOCK ASSEMBLY REAR | 1 |
| 2 | D10542440.9 | BUSH PILLOW BLOCK REAR | 1 |
| 3 | D10547390.9 | SEAL O RING 3.53X72.0 | 1 |
| 4 | D10548830.9 | DOWEL BUSH PILLOW BLOCK | 2 |
| 5 | D93601110.9 | SEAL OIL 22X37X7.0 | 1 |

TABLE-5
HOUSING ASSEMBLY FRONT AXLE CENTER BEAM SUBASSEMBLY

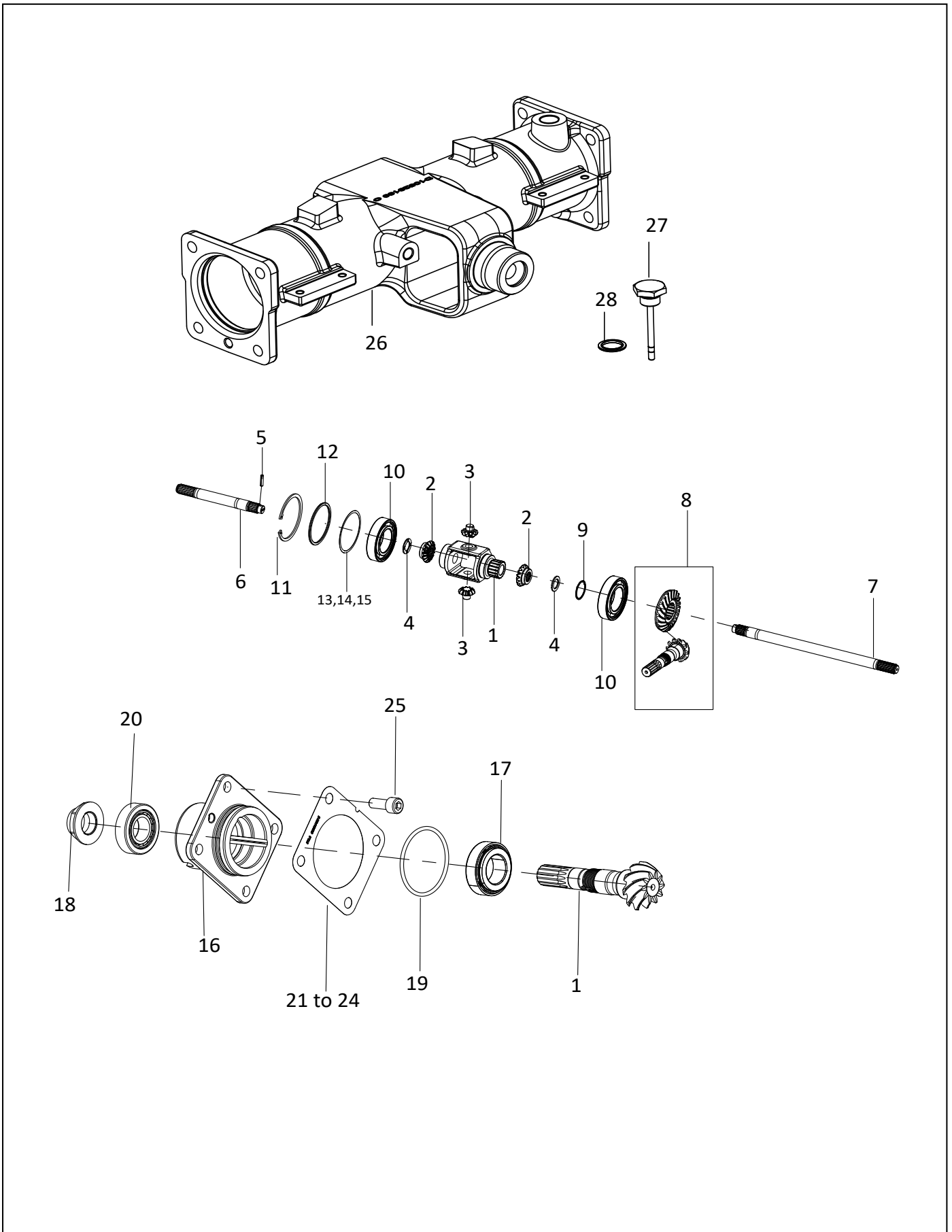


TABLE-5
HOUSING ASSEMBLY FRONT AXLE CENTER BEAM SUBASSEMBLY

| Fig. No. | Part No. | Description | Qty |
|----------|---------------|--|-----|
| 1 | D10528170AE.9 | CASE DIFFERENTIAL FRONT AXLE | 1 |
| 2 | D10520860.9 | BEVEL SIDE GEAR DIFFERENTIAL Z-16 | 2 |
| 3 | D10520870.9 | PINION GEAR DIFFERENTIAL Z-10 | 2 |
| 4 | D10541560.9 | WASHER THRUST 32X20.5X2 DIFFERENTIAL | 2 |
| 5 | D87500480.9 | PIN 5.0X24.0 SPRING DOWEL | 2 |
| 6 | D10528220AB.9 | SHAFT HALF AXLE LH | 1 |
| 7 | D10528230AB.9 | SHAFT HALF AXLE RH | 1 |
| 8 | D10528180.9 | GEAR SET BEVEL PINION AND CROWN WHEEL FRONT AXLE (10/21) | 1 |
| 9 | D10541630.9 | RING SNAP DIFFERENTIAL FRONT AXLE | 1 |
| 10 | D10602220.9 | BEARING BALL 6210 CN | 2 |
| 11 | D10106690.9 | CIRCLIP B90X2.80 HB | 1 |
| 12 | D10546960.9 | WASHER 89.90X80.0X3.0 | 1 |
| 13 | D10546970.9 | SHIM 89.90X81.0 (0.125 MM) | 1 |
| 14 | D10546980.9 | SHIM 89.90X81.0 (0.2285 MM) | 1 |
| 15 | D10546990.9 | SHIM 89.90X81.0 (0.4065 MM) | 1 |
| 16 | D10528210.9 | RETAINER PINION FRONT AXLE | 1 |
| 17 | D10533280.9 | BEARING TAPER ROLLER 32006X | 1 |
| 18 | D10541570.9 | NUT CRIMP M24X1.5 HEX HEAD | 1 |
| 19 | D10154560.9 | SEAL O RING 2.65X65.0 | 1 |
| 20 | D10001990.9 | BEARING ASSEMBLY TRANSMISSION MAIN SHAFT REAR PILOT | 1 |
| 21 | D10541580.9 | SHIM RETAINER PINION (0.075 MM) | 1 |
| 22 | D10541590.9 | SHIM RETAINER PINION (0.125 MM) | 1 |
| 23 | D10541600.9 | SHIM RETAINER PINION (0.2285 MM) | 1 |
| 24 | D10541610.9 | SHIM RETAINER PINION (0.4065 MM) | 1 |
| 25 | D81503270.9 | BOLT M10X25X1.5-10.9 ALLEN | 4 |
| 26 | D10528160.9 | HOUSING FRONT AXLE CENTER BEAM | 1 |
| 27 | D10673030.9 | INDICATOR FRONT AXLE OIL LEVEL | 1 |
| 28 | D10617830.9 | WASHER BONDED SEAL M20 | 1 |

TABLE-6
OIL COOLER SYSTEM SUBASSEMBLY

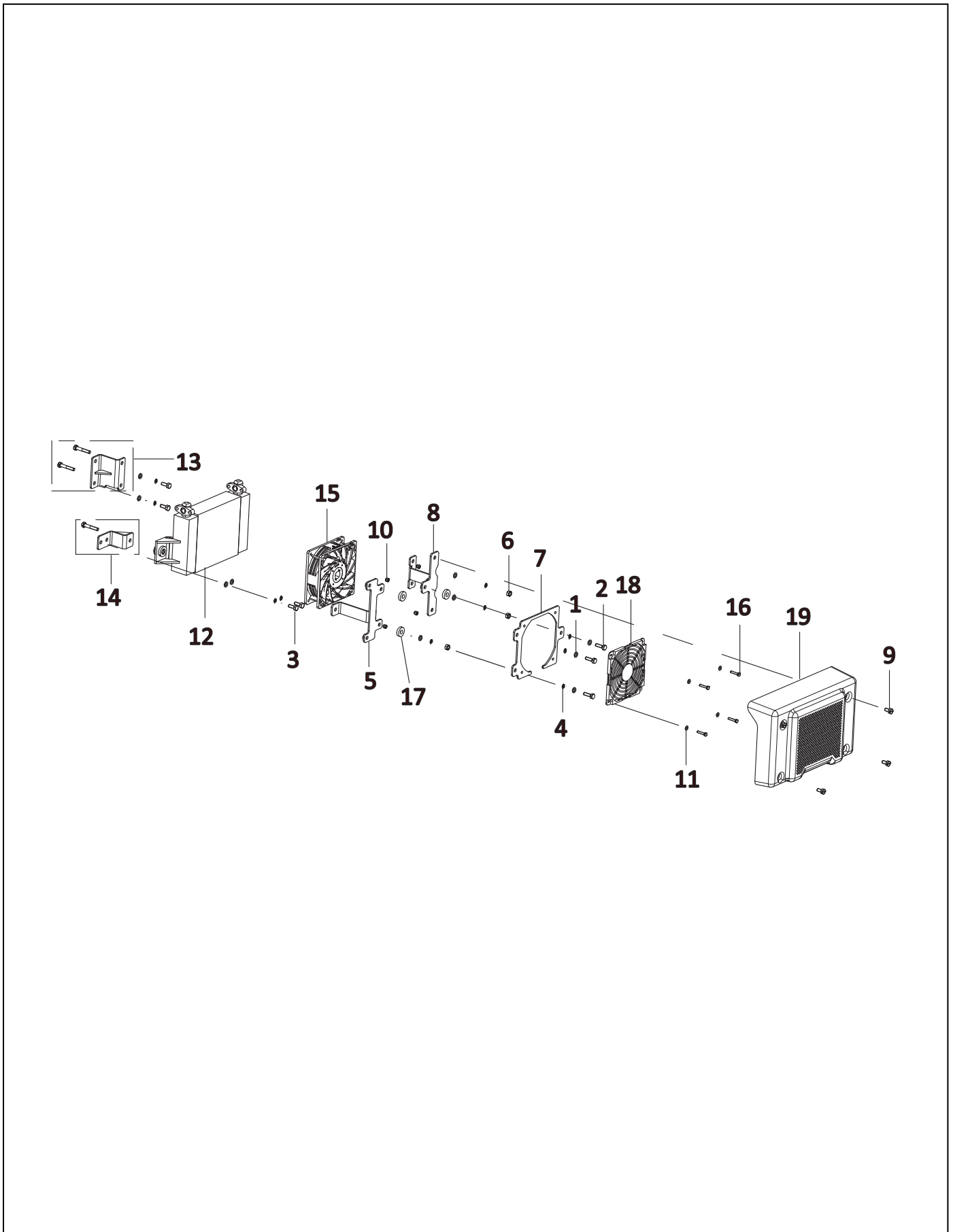


TABLE-6
OIL COOLER SYSTEM SUBASSEMBLY

| Fig. No. | Part No. | Description | Qty |
|----------|---------------|--|-----|
| 1 | D85500110.9 | WASHER M6 FLAT | 10 |
| 2 | D10034950.9 | SCREW M6X1.00X20-6.6 HEX HEAD | 3 |
| 3 | D81500360.9 | BOLT M6X1.00X16-9.8 HEX HEAD | 4 |
| 4 | D86500040AC.9 | WASHER M6 SPRING LOCK | 10 |
| 5 | D11374850AA.9 | BRACKET ASSEMBLY OILCOOLER FAN MOUNTING LH | 1 |
| 6 | D83500220.9 | NUT M6X1.00-5 HEX | 3 |
| 7 | D11374830AA.9 | BRACKET ASSEMBLY FAN MOUNTING OILCOOLER | 1 |
| 8 | D11374840AA.9 | BRACKET ASSEMBLY OILCOOLER FAN MOUNTING RH | 1 |
| 9 | D82500770.9 | SCREW M6X1.00X12-6.6 HEX HEAD SLOTTED | 4 |
| 10 | D10017000.9 | NUT M4X0.70 NYLOCK | 4 |
| 11 | D85500190.9 | WASHER M4.0 FLAT | 4 |
| 12 | D11382740AA.9 | COOLER OIL ASSEMBLY | 1 |
| 13 | D11374820AA.9 | BRACKET ASSEMBLY OILCOOLER MOUNTING RH | 1 |
| 14 | D11374810AA.9 | BRACKET ASSEMBLY OILCOOLER MOUNTING LH | 1 |
| 15 | D10800870BA.9 | FAN ASSEMBLY AIR COOLING | 1 |
| 16 | D81502010.9 | BOLT M4X20-6.8 HEX HEAD | 4 |
| 17 | D10480480.9 | PAD RUBBER SIDE GUARD | 3 |
| 18 | D11932470AA.9 | COVER FAN FINGER GAURD | 1 |
| 19 | D11953780AA.9 | COVER OIL COOLER | 1 |

TABLE-7
TUBING OIL COOLER SUB SUBASSEMBLY

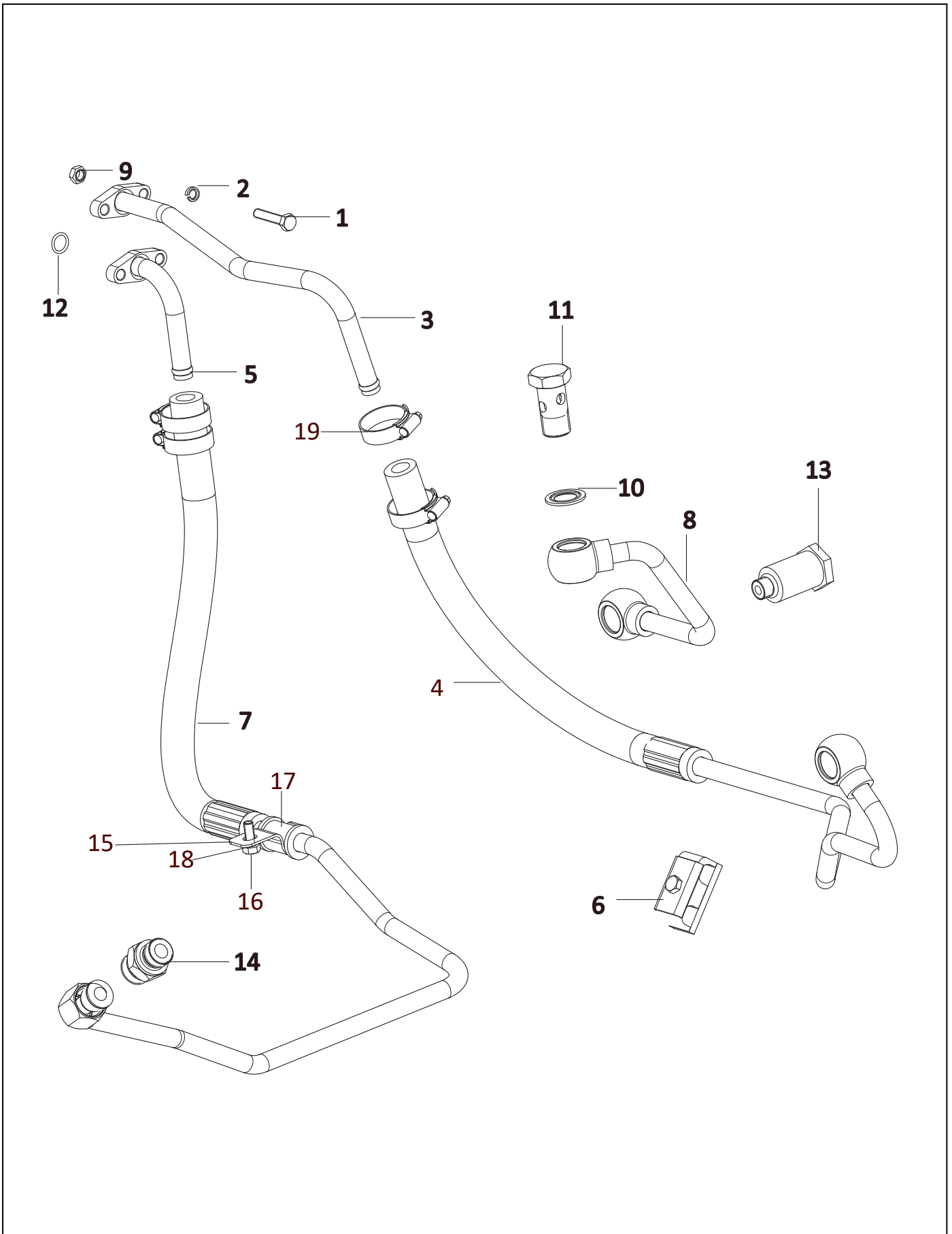


TABLE-7
TUBING OIL COOLER SUB SUBASSEMBLY

| Fig. No. | Part No. | Description | Qty |
|----------|---------------|---|-----|
| 1 | D10466130.9 | BOLT M6X30-5.8 HEX HEAD (FTES SRUBA M6X30-5.8) | 4 |
| 2 | D86500040AC.9 | WASHER M6 SPRING LOCK | 5 |
| 3 | D11355370AB.9 | TUBE ASSEMBLY CONNECTOR TO OIL COOLER | 1 |
| 4 | D11355340AB.9 | TUBE AND HOSE ASSEMBLY VALVE TO CONNECTOR | 1 |
| 5 | D11355380AB.9 | TUBE ASSEMBLY OIL COOLER TO CONNECTOR | 1 |
| 6 | D10402170.9 | CLAMP ASSEMBLY TUBING HYDRAULIC PRESSURE 1 | 1 |
| 7 | D11355400AB.9 | TUBE AND HOSE ASSEMBLY CONNECTOR TO FILTER | 1 |
| 8 | D10607280.9 | TUBE ASSEMBLY HST RETURN | 1 |
| 9 | D83500070.9 | NUT M6X1.00-6 HEX | 4 |
| 10 | D10174950AD.9 | SEAL BANJO BOLT DISTRIBUTOR TO CYLINDER TUBE | 7 |
| 11 | D10174960AD.9 | BOLT BANJO M18X1.50 | 3 |
| 12 | D93601350.9 | SEAL O RING 1.6X10.5 | 2 |
| 13 | D10607300.9 | CONNECTOR M18X1.5 AND 1/4"-BSP (STUD END) | 1 |
| 14 | D10535340.9 | ADAPTOR M18 AND 13/16"-16 UN | 1 |
| 15 | D10548020.9 | CLAMP TUBE HOLDING DIA 12 | 1 |
| 16 | D81500360.9 | BOLT M6X1.00X16-9.8 HEX HEAD | 1 |
| 17 | D10413940.9 | GROMMET TUBE RETURN STEERING MOTOR TO RESERVOIR | 1 |
| 18 | D85500110.9 | WASHER M6 FLAT | 1 |
| 19 | D10017460.9 | CLAMP ASSEMBLY FUEL TUBE | 4 |

TABLE-8
AXLE FRONT WITH CYLINDER AND LINK ASSEMBLY

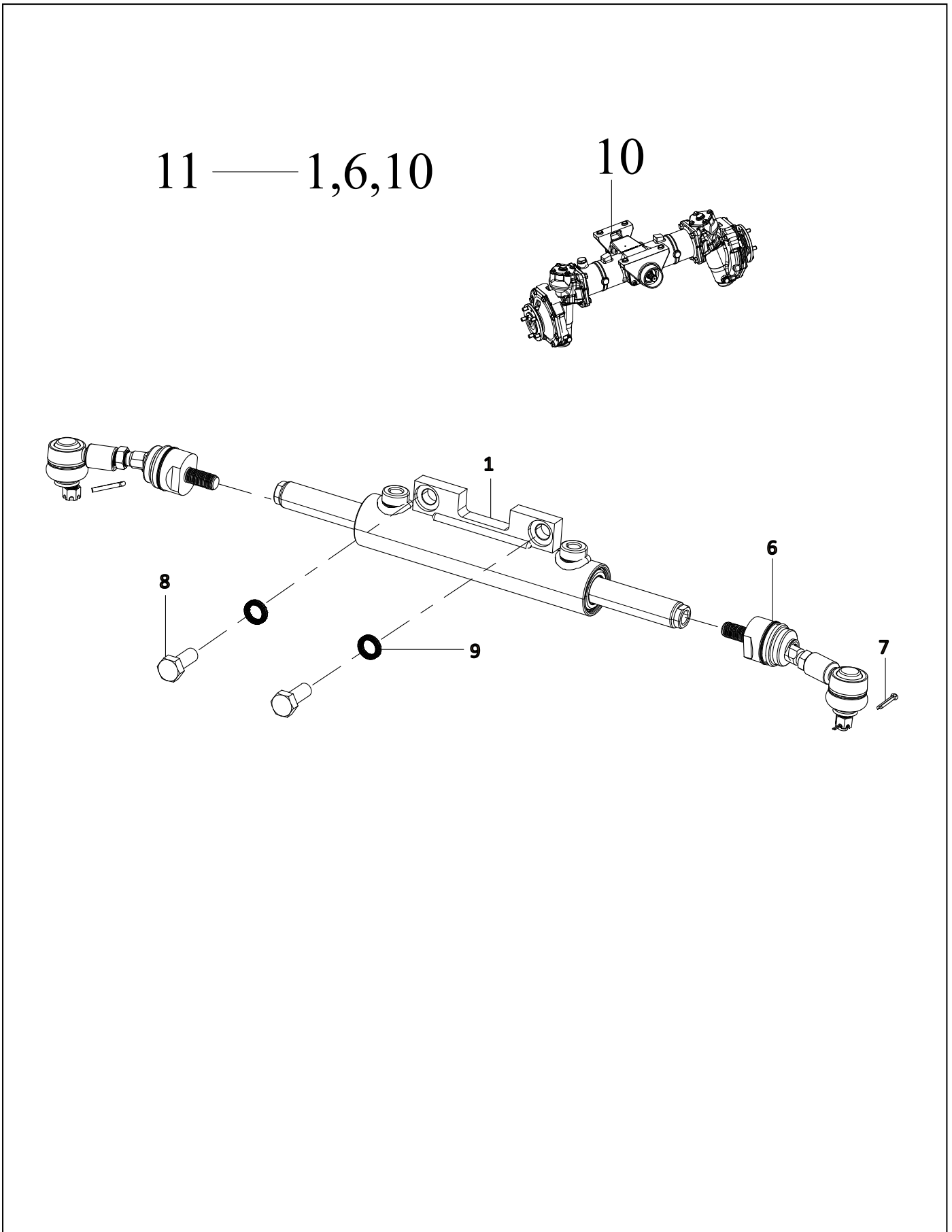


TABLE-8
AXLE FRONT WITH CYLINDER AND LINK ASSEMBLY

| Fig. No. | Part No. | Description | Qty |
|----------|---------------|--|-----|
| 1 | D10537740AC.9 | CYLINDER ASSEMBLY POWER STEERING | 1 |
| 2 | D10615010.9 | KIT SEAL STEERING CYLINDER (M/S OGNIBENE POWER PART NO 800230090) | 1 |
| 3 | D10615020.9 | RING INTERNAL RETAINING STEERING CYLINDER (M/S OGNIBENE POWER PART NO 427250042) | 2 |
| 4 | D10615030.9 | GLAND STEERING CYLINDER (M/S OGNIBENE POWER PART NO 184170060) | 2 |
| 5 | D10615040.9 | ROD ASSEMBLY STEERING CYLINDER (M/S OGNIBENE POWER PART NO 333140820) | 1 |
| 6 | D10537730.9 | LINK ASSEMBLY POWER STEERING | 2 |
| 7 | D88400040.9 | PIN 3.2X25.0 COTTER | 2 |
| 8 | D81500740.9 | BOLT M14X2.00X35-10.9 HEX HEAD LOCK | 2 |
| 9 | D86500070.9 | WASHER M14 SPRING LOCK | 2 |
| 10 | D10471030.9 | FRONT AXLE ASSEMBLY WITH CYLINDER AND GUARD ASSEMBLY(4WD COMPACT) | 1 |
| 11 | D10564460.9 | AXLE FRONT ASSEMBLY 4WD COMPACT | 1 |

TABLE-9
COVER ASSEMBLY GUARD STEERING CYLINDER

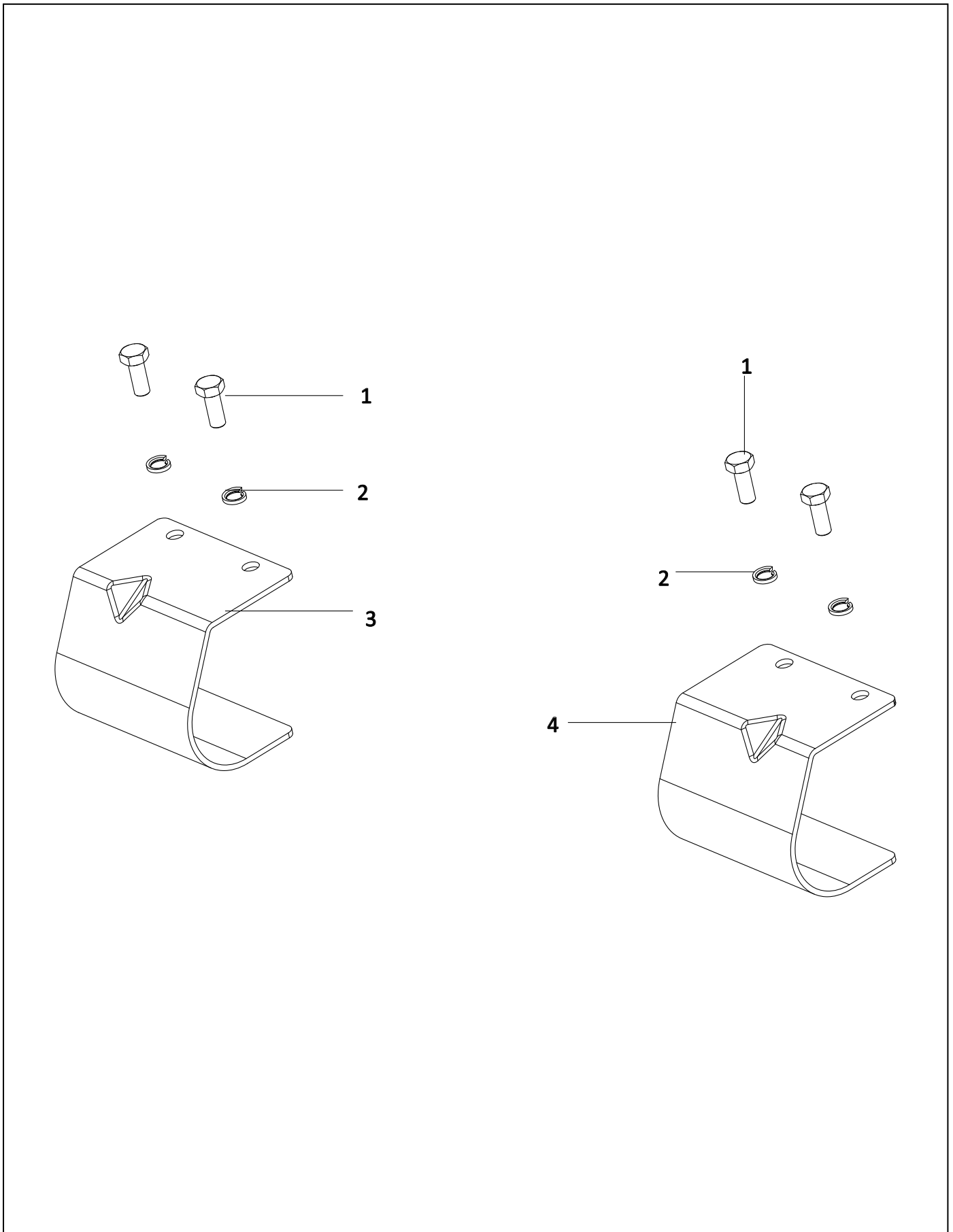


TABLE-9
COVER ASSEMBLY GUARD STEERING CYLINDER

| Fig. No. | Part No. | Description | Qty |
|----------|---------------|------------------------------|-----|
| 1 | D81500110.9 | BOLT M8X1.25X20-8.8 HEX HEAD | 4 |
| 2 | D86500030AC.9 | WASHER M8 SPRING LOCK | 4 |
| 3 | D10537750.9 | GUARD STEERING CYLINDER RH | 1 |
| 4 | D10537760.9 | GUARD STEERING CYLINDER LH | 1 |

TABLE-10
FRONT AXLE SUBASSEMBLY

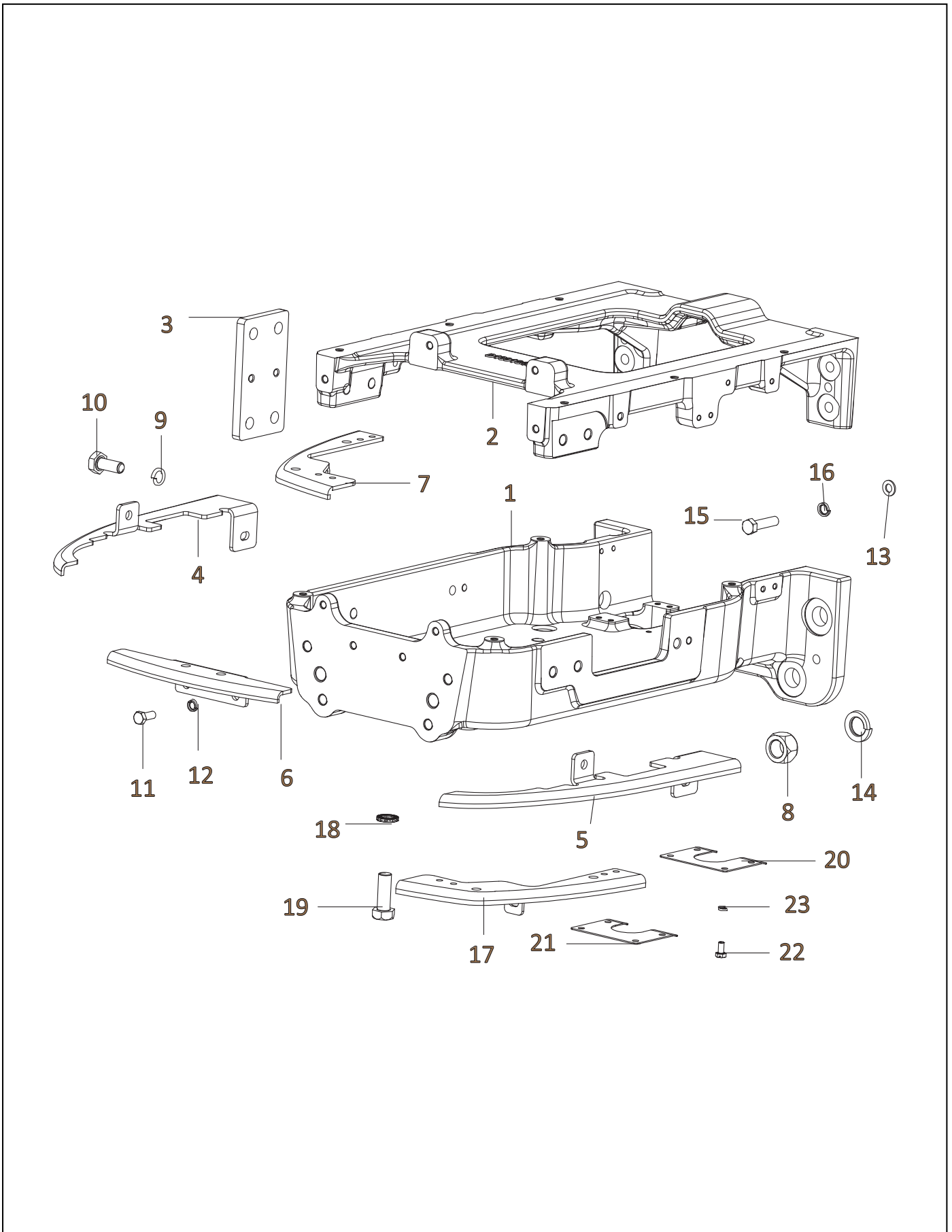


TABLE-10
FRONT AXLE SUBASSEMBLY

| Fig. No. | Part No. | Description | Qty |
|----------|---------------|---|-----|
| 1 | D10916410AE.9 | SUPPORT FRONT AXLE | 1 |
| 2 | D10916390AE.9 | FRAME BATTERY BOX SUPPORT | 1 |
| 3 | D10916430AA.9 | PLATE BATTERY BOX FRONT FRAME MOUNTING | 2 |
| 4 | D10916460AB.9 | PLATE BONNET MOUNTING RH SUPPORT FRONT AXLE LOWER | 1 |
| 5 | D10916450AB.9 | PLATE BONNET MOUNTING LH SUPPORT FRONT AXLE LOWER | 1 |
| 6 | D10916440AA.9 | PLATE BONNET MOUNTING FRONT SUPPORT FRONT AXLE | 1 |
| 7 | D10916500AB.9 | PLATE BONNET MOUNTING RH SUPPORT FRONT AXLE UPPER | 1 |
| 8 | D83500150.9 | NUT M20X1.50-6P HEX | 4 |
| 9 | D86500020.9 | WASHER M12 SPRING LOCK | 8 |
| 10 | D81501910.9 | BOLT M12X1.75X30-10.9 HEX HEAD | 8 |
| 11 | D82500040.9 | SCREW M8X1.25X20-8.8 HEX HEAD | 8 |
| 12 | D86500030AC.9 | WASHER M8 SPRING LOCK | 8 |
| 13 | D85500050.9 | WASHER M8 FLAT | 4 |
| 14 | D86500080.9 | WASHER M20 SPRING LOCK | 4 |
| 15 | D81500610.9 | BOLT M10X1.50X40-8.8 HEX HEAD | 4 |
| 16 | D86500050AC.9 | WASHER M10 SPRING LOCK | 4 |
| 17 | D10916510AB.9 | PLATE BONNET MOUNTING LH SUPPORT FRONT AXLE UPPER | 1 |
| 18 | D86500070.9 | WASHER M14 SPRING LOCK | 4 |
| 19 | D81501630.9 | BOLT M14X2.00X40-10.9 HEX HEAD | 4 |
| 20 | D11393150AA.9 | PLATE COVER FAS LOWER LH | 1 |
| 21 | D11393140AA.9 | PLATE COVER FAS LOWER RH | 1 |
| 22 | D82500770.9 | SCREW M6X1.00X12-6.6 HEX HEAD SLOTTED | 6 |
| 23 | D86500040AC.9 | WASHER M6 SPRING LOCK | 6 |

TABLE-11
COVER AND SUPPORT FRONT AXLE SUB ASSEMBLY

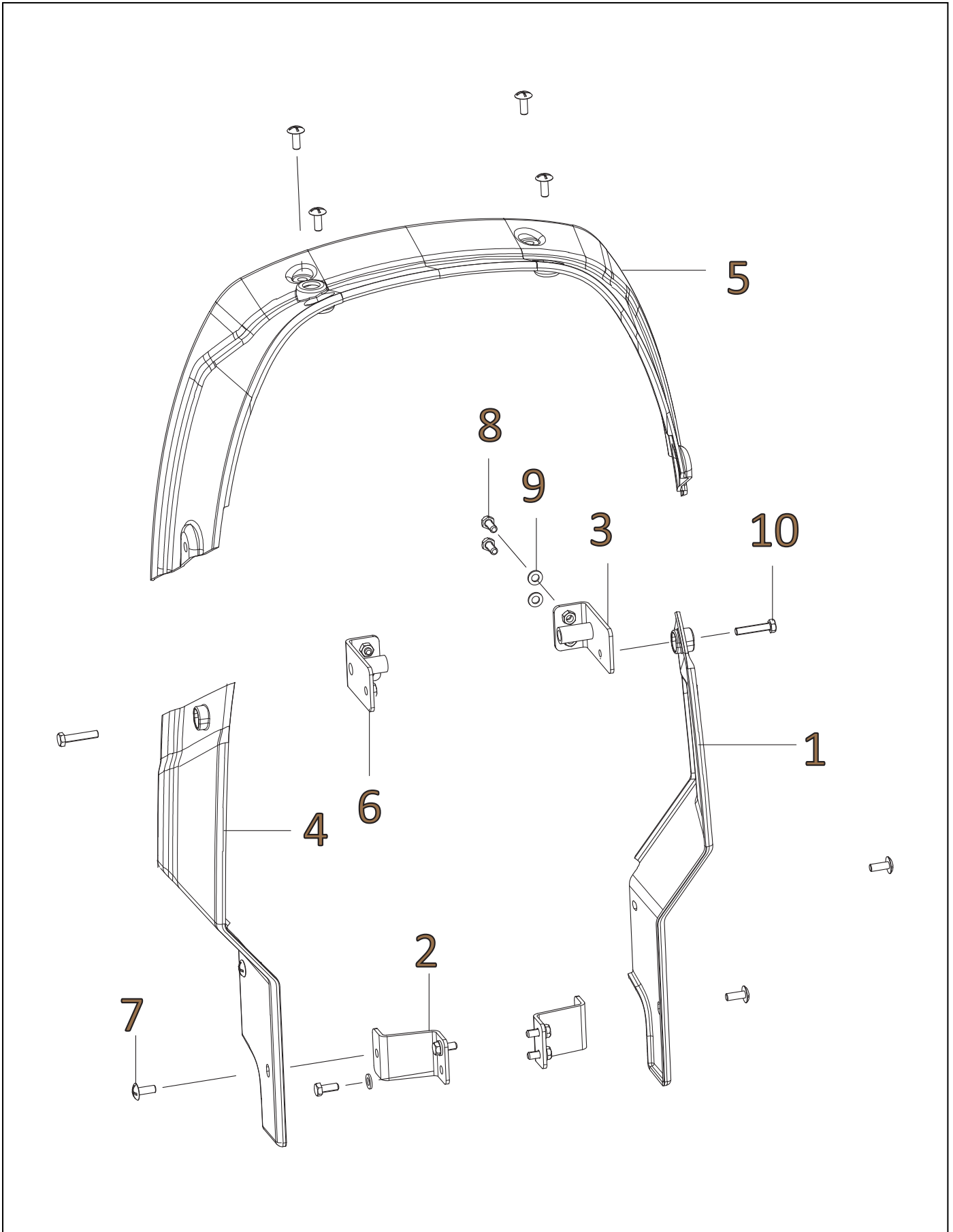


TABLE-11**COVER AND SUPPORT FRONT AXLE SUB ASSEMBLY**

| Fig. No. | Part No. | Description | Qty |
|-----------------|-----------------|--|------------|
| 1 | D10791490.9 | COVER SUPPORT FRONT AXLE SIDE LH | 1 |
| 2 | D10804010AB.9 | BRACKET MOUNTING COVER SUPPORT FRONT AXLE SIDE | 2 |
| 3 | D10804030AB.9 | BRACKET MOUNTING COVER SUPPORT FRONT AXLE FRONT | 1 |
| 4 | D10791500.9 | COVER SUPPORT FRONT AXLE SIDE RH | 1 |
| 5 | D10791480AB.9 | COVER SUPPORT FRONT AXLE FRONT | 1 |
| 6 | D10807510AB.9 | BRACKET MOUNTING COVER SUPPORT FRONT AXLE FRONT RH | 1 |
| 7 | D82501190.9 | SCREW M6X1.0X16 TRUSS HEAD CROSS SLOTTED | 8 |
| 8 | D82500220.9 | SCREW M6X1.00X15-8.8 HEX HEAD | 8 |
| 9 | D85500040.9 | WASHER M6 FLAT | 8 |
| 10 | D82500020.9 | SCREW M6X1.00X30-5D HEX HEAD | 2 |

TABLE-12
WHEEL STEERING AND UNIT STEERING SUBASSEMBLY

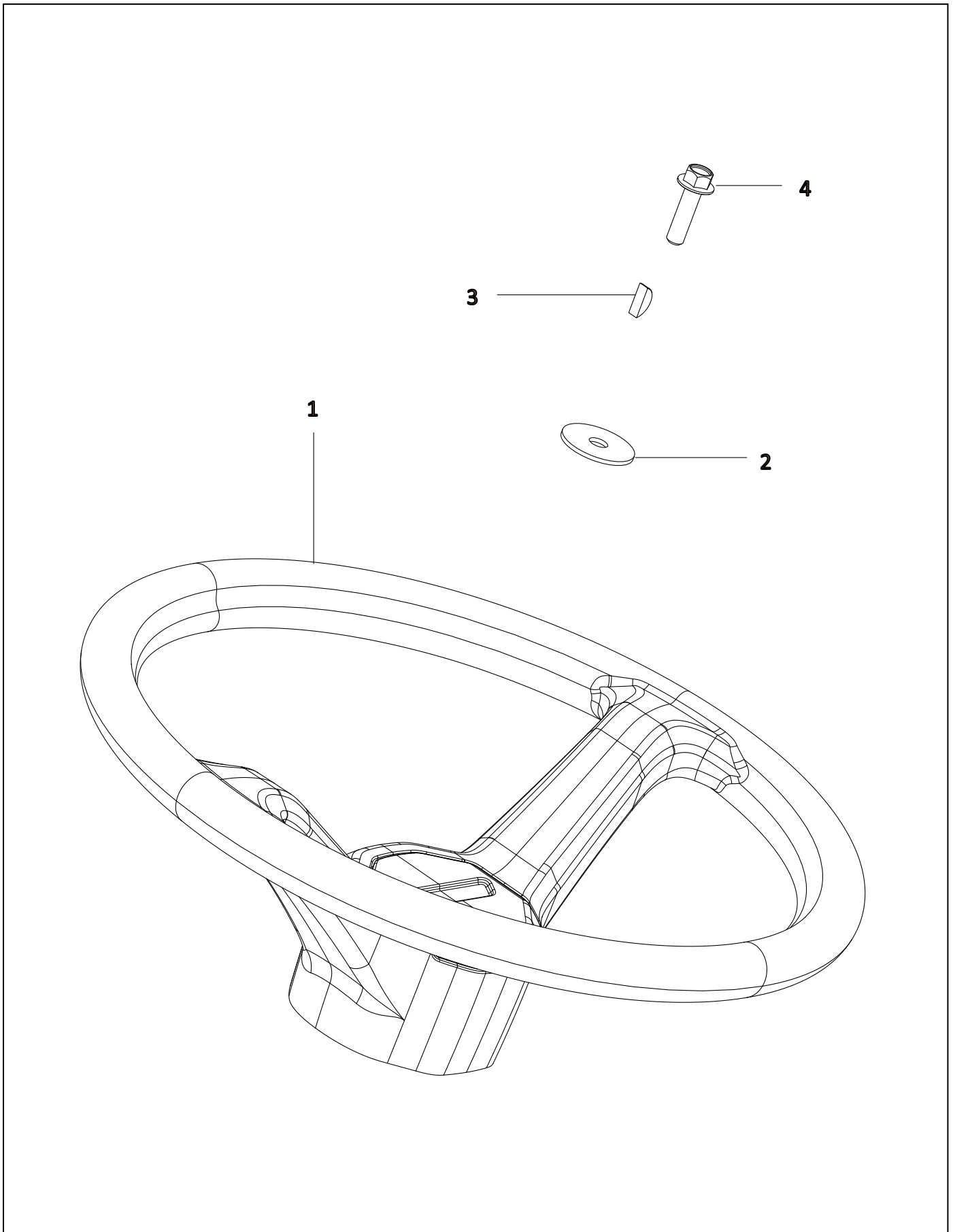


TABLE-12
WHEEL STEERING AND UNIT STEERING SUBASSEMBLY

| Fig. No. | Part No. | Description | Qty |
|----------|-------------|---------------------------------------|-----|
| 1 | D10569180.9 | WHEEL ASSEMBLY STEERING | 1 |
| 2 | D85500700.9 | WASHER M8 FLAT DIA 35 | 1 |
| 3 | D91000280.9 | KEY 5.0X6.5 WOODRUFF | 1 |
| 4 | D81502240.9 | BOLT M8X1.25X30-10.9 HEX HEAD FLANGED | 1 |

TABLE-13
TUBING POWER STEERING SUBASSEMBLY

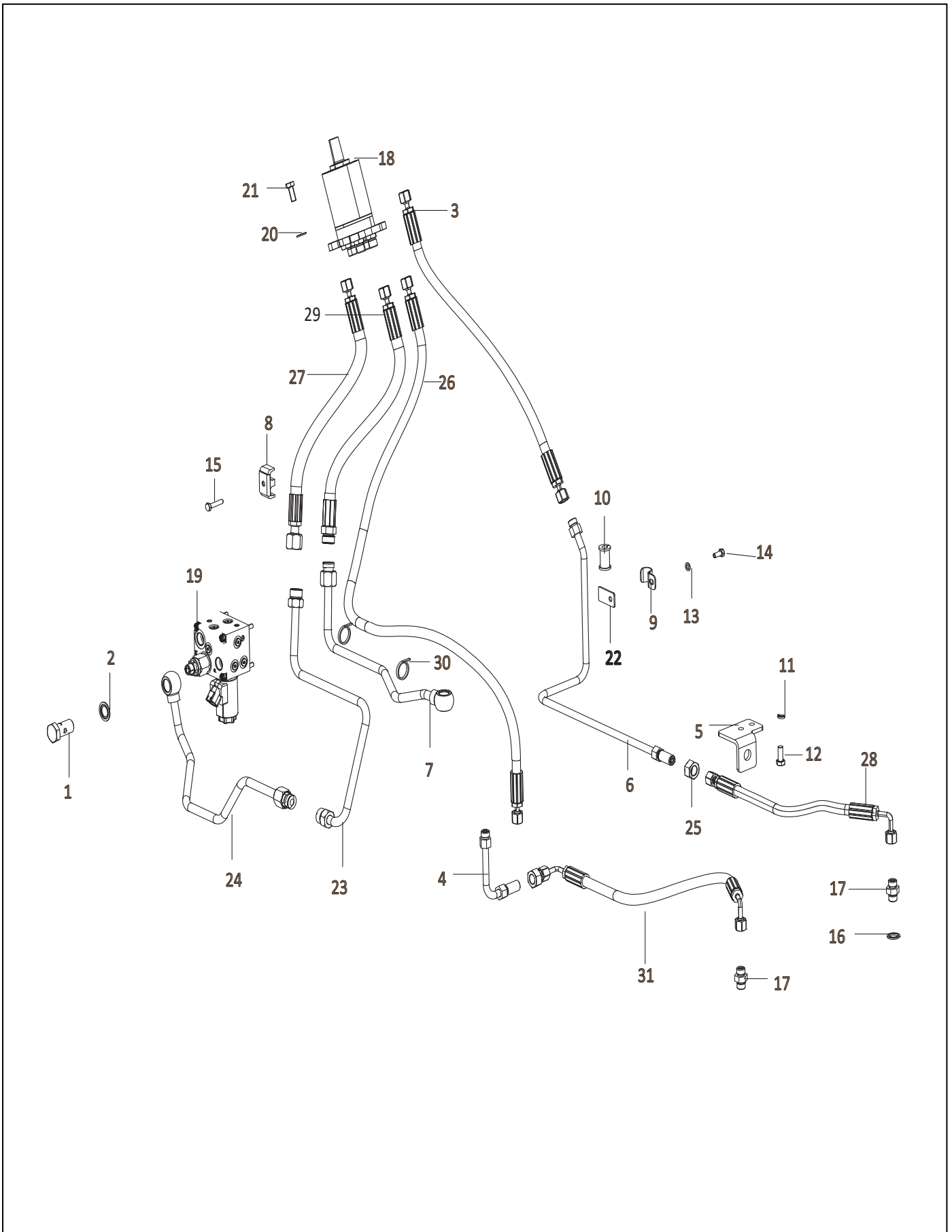


TABLE-13
TUBING POWER STEERING SUBASSEMBLY

| Fig. No. | Part No. | Description | Qty |
|----------|---------------|--|-----|
| 1 | D10174960AD.9 | BOLT BANJO M18X1.50 | 2 |
| 2 | D10174950AD.9 | SEAL BANJO BOLT DISTRIBUTOR TO CYLINDER TUBE | 4 |
| 3 | D10791900.9 | HOSE ASSEMBLY POWER STEERING MOTOR TO CONNECTOR LH | 1 |
| 4 | D11355700AA.9 | TUBE ASSEMBLY CONNECTOR TO HOSE | 1 |
| 5 | D10795280.9 | BRACKET POWER STEERING TUBE HOLDING LH | 1 |
| 6 | D10791920.9 | TUBE ASSEMBLY POWER STEERING CONNECTOR LH | 1 |
| 7 | D11355610AB.9 | TUBE ASSEMBLY POWER STEERING FCV VALVE TO HOSE | 1 |
| 8 | D10587620.9 | CLAMP ASSEMBLY HYDRAULIC PRESSURE | 1 |
| 9 | D10562100.9 | CLAMP TUBE HOLDING DIA 10 | 1 |
| 10 | D10562110.9 | GROMMET RUBBER DIA 10 | 1 |
| 11 | D86500030AC.9 | WASHER M8 SPRING LOCK | 6 |
| 12 | D82500040.9 | SCREW M8X1.25X20-8.8 HEX HEAD | 2 |
| 13 | D85500110.9 | WASHER M6 FLAT | 1 |
| 14 | D82500220.9 | SCREW M6X1.00X15-8.8 HEX HEAD | 1 |
| 15 | D10466130.9 | BOLT M6X30-5.8 HEX HEAD (FTES SRUBA M6X30-5.8) | 1 |
| 16 | D10513210.9 | WASHER BONDED SEAL 14.7X22.0X1.5 | 2 |
| 17 | D10556240.9 | CONNECTOR 9/16-18 AND M14X1.5 STUD END | 2 |
| 18 | D10524330.9 | MOTOR ASSEMBLY POWER STEERING | 1 |
| 19 | D10578080.9 | VALVE ASSEMBLY WET CLUTCH ACTUATION | 1 |
| 20 | D85500050.9 | WASHER M8 FLAT | 4 |
| 21 | D81500110.9 | BOLT M8X1.25X20-8.8 HEX HEAD | 4 |
| 22 | D11875310AA.9 | PLATE FOR TUBE MOUNTING | 1 |
| 23 | D11355640AB.9 | TUBE ASSEMBLY RETURN HOSE TO CONNECTOR | 1 |
| 24 | D11355660AA.9 | TUBE ASSEMBLY CONNECTOR TO VALVE | 1 |
| 25 | D10021270.9 | NUT 9/16"-18 HEX | 2 |
| 26 | D11041590AB.9 | HOSE ASSEMBLY POWER STEERING MOTOR TO CONNECTOR RH | 1 |
| 27 | D10791890.9 | HOSE ASSEMBLY POWER STEERING RETURN | 1 |
| 28 | D10795290.9 | HOSE ASSEMBLY POWER STEERING CYLINDER | 1 |
| 29 | D11875150AA.9 | HOSE ASSEMBLY POWER STEERING PRESSURE TO MOTOR | 1 |
| 30 | D10203560.9 | CLAMP GROMMET GEAR SHIFTING LEVER | 2 |
| 31 | D11041540AA.9 | HOSE ASSEMBLY POWER STEERING CYLINDER RH | 1 |

TABLE-14
WHEEL AND TYRE ASSEMBLY FRONT 23x8.50-12 (M/s BKT - INDUSTRIAL)

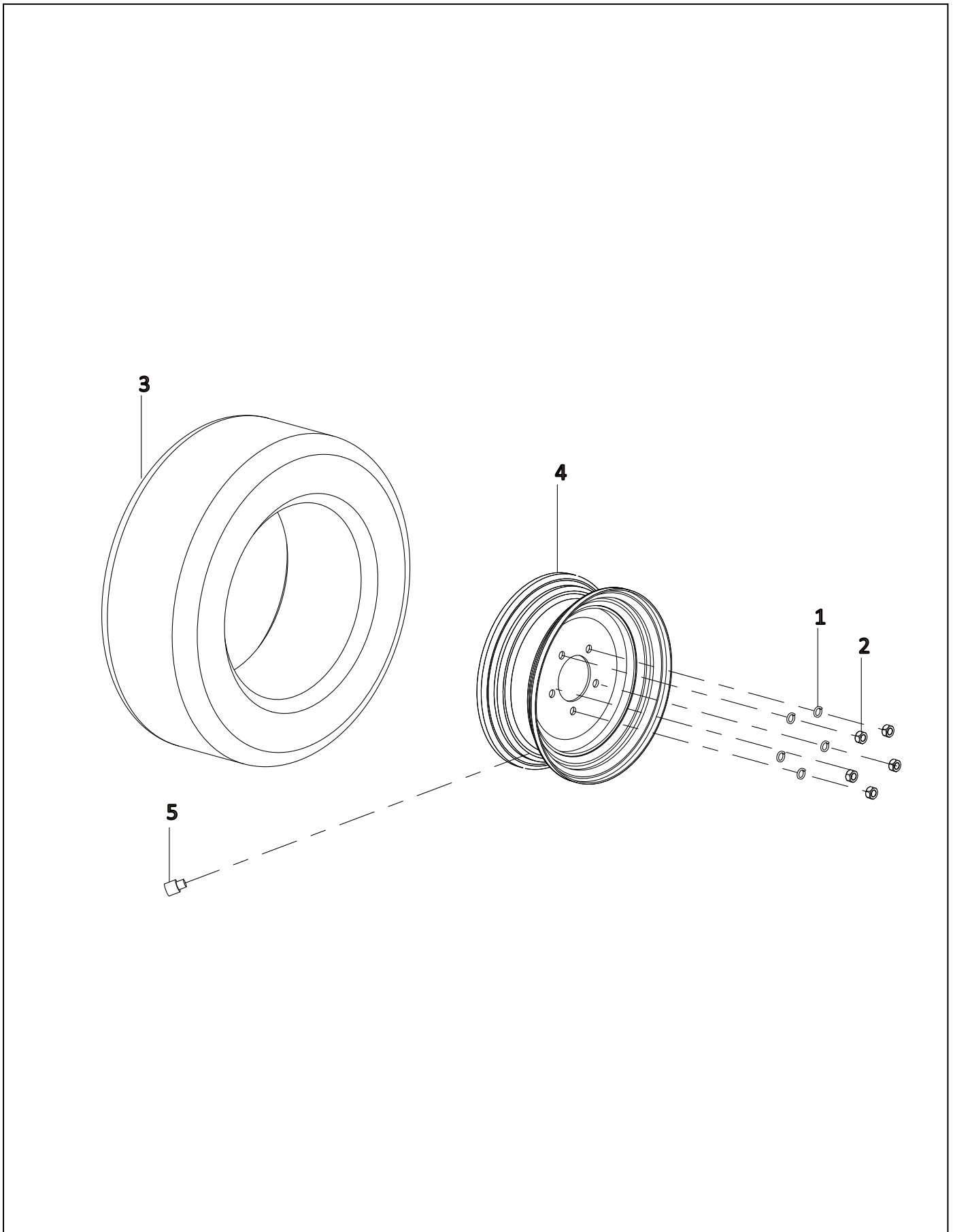


TABLE-14**WHEEL AND TYRE ASSEMBLY FRONT 23x8.50-12 (M/s BKT - INDUSTRIAL)**

| Fig. No. | Part No. | Description | Qty |
|-----------------|-----------------|--|------------|
| 1 | D86500020.9 | WASHER M12 SPRING LOCK | 10 |
| 2 | D83501030.9 | NUT M12X1.5-10.9 HEX HEAD | 10 |
| 3 | D10517750.9 | TYRE ASSEMBLY FRONT WHEEL 23X8.50-12 SPHD 12PR TL | 2 |
| 4 | D10538490.9 | RIM ASSEMBLY FRONT WHEEL 7.00IX12 (ANTIQUÉ SILVER) | 2 |
| 5 | D10538650.9 | VALVE TYRE FRONT WHEEL 23X8.50-12 (TR412,TR413) | 2 |

TABLE-15
HOUSING ASSEMBLY INTERMEDIATE (HST)

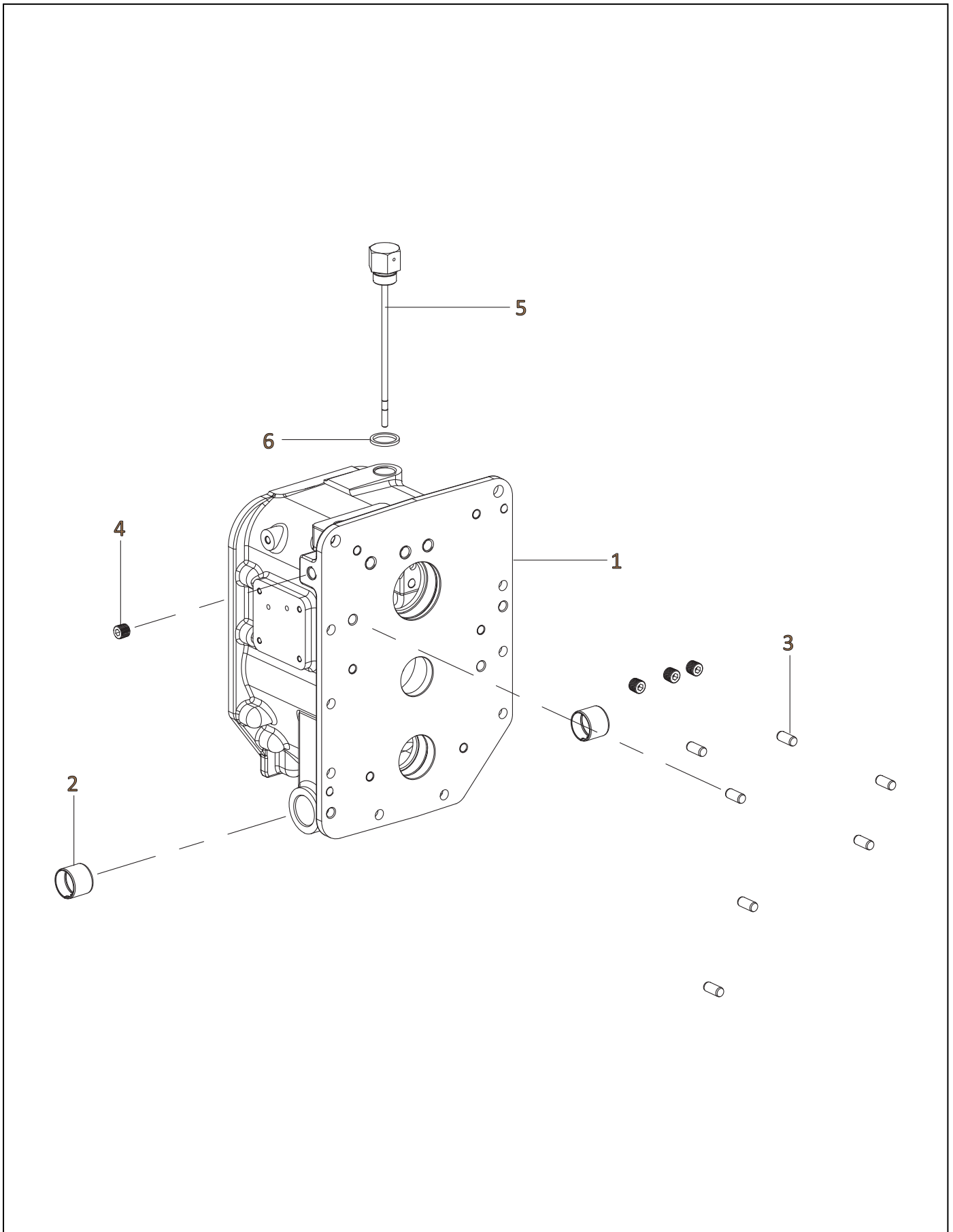


TABLE-15
HOUSING ASSEMBLY INTERMEDIATE (HST)

| Fig. No. | Part No. | Description | Qty |
|----------|---------------|--|-----|
| 1 | D10590310.9 | HOUSING INTERMEDIATE COMPACT (HST) | 1 |
| 2 | D10481310.9 | BUSH BRAKE PEDAL SHAFT | 2 |
| 3 | D87500030.9 | PIN 10X22 DOWEL | 7 |
| 4 | D93100410.9 | PLUG 1/4"-18 SOCKET HEX HEAD (STEEL) | 4 |
| 5 | D10614560AB.9 | INDICATOR OIL LEVEL TRANSMISSION (HST) | 1 |
| 6 | D10005120.9 | WASHER M24 FLAT COPPER | 1 |

TABLE-16
RETAINER AND GEAR PAIR INPUT SUB ASSEMBLY WITH HARDWARE (HST)

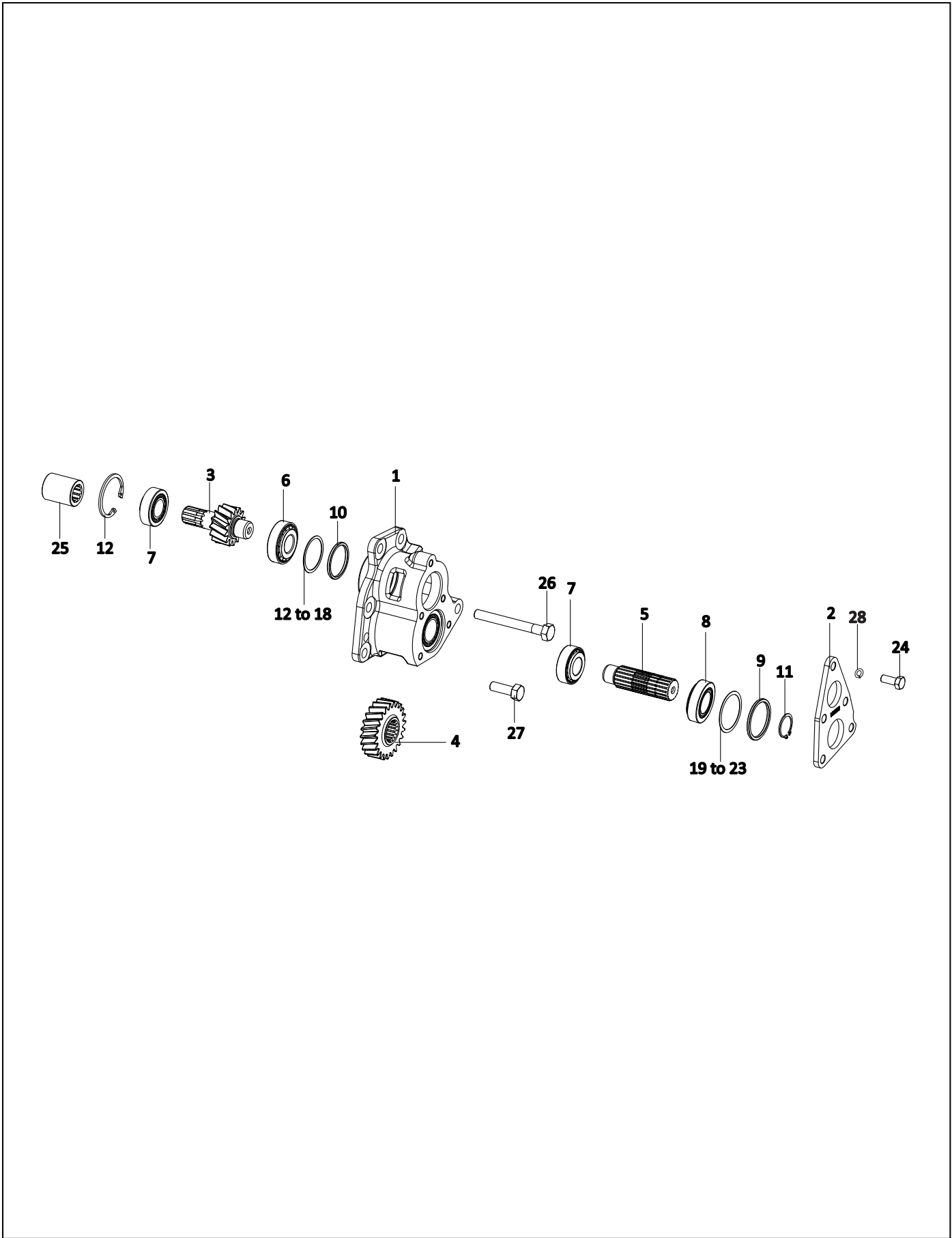


TABLE-16
RETAINER AND GEAR PAIR INPUT SUB ASSEMBLY WITH HARDWARE (HST)

| Fig. No. | Part No. | Description | Qty |
|----------|---------------|--|-----|
| 1 | D10580500AD.9 | CASING INPUT PAIR HYDROSTATIC TRANSMISSION | 1 |
| 2 | D10580510.9 | RETAINER INPUT PAIR HYDROSTATIC TRANSMISSION | 1 |
| 3 | D10580520.9 | SHAFT DRIVING CONSTANT MESH Z-14 | 1 |
| 4 | D10580530.9 | GEAR DRIVEN CONSTANT MESH Z-23 | 1 |
| 5 | D10580540.9 | SHAFT DRIVEN CONSTANT MESH | 1 |
| 6 | D10587490.9 | BEARING TAPER ROLLER 30204 | 1 |
| 7 | D10587500.9 | BEARING TAPER ROLLER TMB32004 | 2 |
| 8 | D10539330.9 | BEARING TAPPER ROLLER 32005 | 1 |
| 9 | D85500580.9 | WASHER 40X47X3.0 FLAT | 1 |
| 10 | D85500590.9 | WASHER 36X42X3.0 FLAT | 1 |
| 11 | D90000010.9 | CIRCLIP A25X1.2 N | 1 |
| 12 | D90500370.9 | CIRCLIP B47X2.0 H | 1 |
| 13 | D10596520.9 | SHIM 36X42 (THICKNESS 0.075 MM) | 1 |
| 14 | D10596530.9 | SHIM 36X42 (THICKNESS 0.125 MM) | 1 |
| 15 | D10596540.9 | SHIM 36X42 (THICKNESS 0.2285 MM) | 1 |
| 16 | D10596550.9 | SHIM 36X42 (THICKNESS 0.4065 MM) | 1 |
| 17 | D10596560.9 | SHIM 36X42 (THICKNESS 0.6 MM) | 1 |
| 18 | D10596570.9 | SHIM 36X42 (THICKNESS 0.7875 MM) | 1 |
| 19 | D10596580.9 | SHIM 40X47 (THICKNESS 0.075 MM) | 1 |
| 20 | D10596590.9 | SHIM 40X47 (THICKNESS 0.125 MM) | 1 |
| 21 | D10596600.9 | SHIM 40X47 (THICKNESS 0.2285 MM) | 1 |
| 22 | D10596610.9 | SHIM 40X47 (THICKNESS 0.4065 MM) | 1 |
| 23 | D10596620.9 | SHIM 40X47 (THICKNESS 0.6 MM) | 1 |
| 24 | D81500110.9 | BOLT M8X1.25X20-8.8 HEX HEAD | 5 |
| 25 | D10580480.9 | COUPLING OUTPUT HYDROSTATIC TRANSMISSION | 1 |
| 26 | D81503340.9 | BOLT M10X1.50X90-10.9 HEX HEAD | 1 |
| 27 | D81503880.9 | BOLT M10X1.50X30-10.9 HEX HEAD (16 A/F) | 4 |
| 28 | D86500030AC.9 | WASHER M8 SPRING LOCK | 5 |

TABLE-17
CLUTCH WET PTO SUBASSEMBLY

LOCTITE 262 — 14

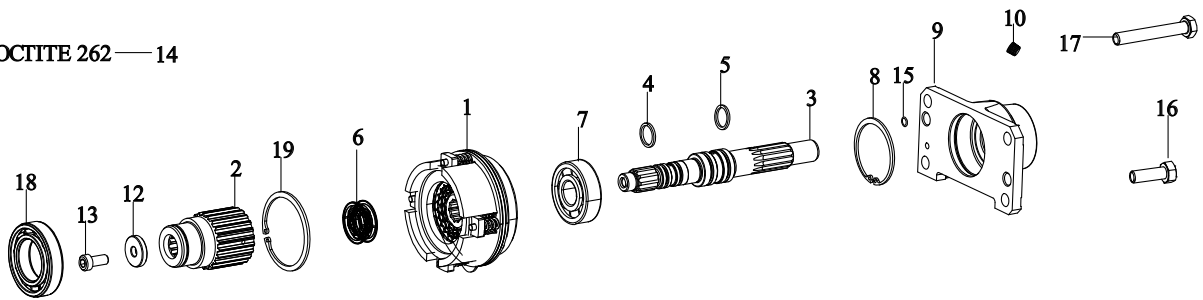


TABLE-17
CLUTCH WET PTO SUBASSEMBLY

| Fig. No. | Part No. | Description | Qty |
|----------|---------------|---|-----|
| 1 | D10580880.9 | CLUTCH ASSEMBLY WET PTO | 1 |
| 2 | D10580890.9 | HUB WET PTO CLUTCH INPUT | 1 |
| 3 | D10580900.9 | SHAFT WET PTO CLUTCH OUTPUT | 1 |
| 4 | D93601240.9 | SEAL OIL PTFE 16.35X20.25X1.85 | 2 |
| 5 | D93601250.9 | SEAL OIL PTFE 24.35X28.25X1.85 | 2 |
| 6 | D10580910.9 | BEARING BALL 6202 C3 | 1 |
| 7 | D10541460.9 | BEARING BALL 6304 | 1 |
| 8 | D90500390.9 | CIRCLIP B52X2.0 N | 1 |
| 9 | D10580920AD.9 | RETAINER WET PTO CLUTCH | 1 |
| 10 | D93100060.9 | PLUG 1/8-27 SOCKET HEX HEAD (STEEL) | 1 |
| 12 | D85500900.9 | WASHER 26X8X5 THRUST | 1 |
| 13 | D82500730.9 | SCREW M8X1.25X18 ALLEN | 1 |
| 14 | D95000420.9 | LOCTITE 262 | AR |
| 15 | D93601280.9 | SEAL O RING 1.0X6.0 | 1 |
| 16 | D81503880.9 | BOLT M10X1.50X30-10.9 HEX HEAD (16 A/F) | 3 |
| 17 | D81503420.9 | BOLT M10X1.50X70-10.9 HEX HEAD | 1 |
| 18 | D10602280.9 | BEARING BALL 6007 | 1 |
| 19 | D90500410.9 | CIRCLIP B62X2.0 N (IS 3075 PART-II) | 1 |

TABLE-18
DRIVE TRAIN 4WD SUBASSEMBLY

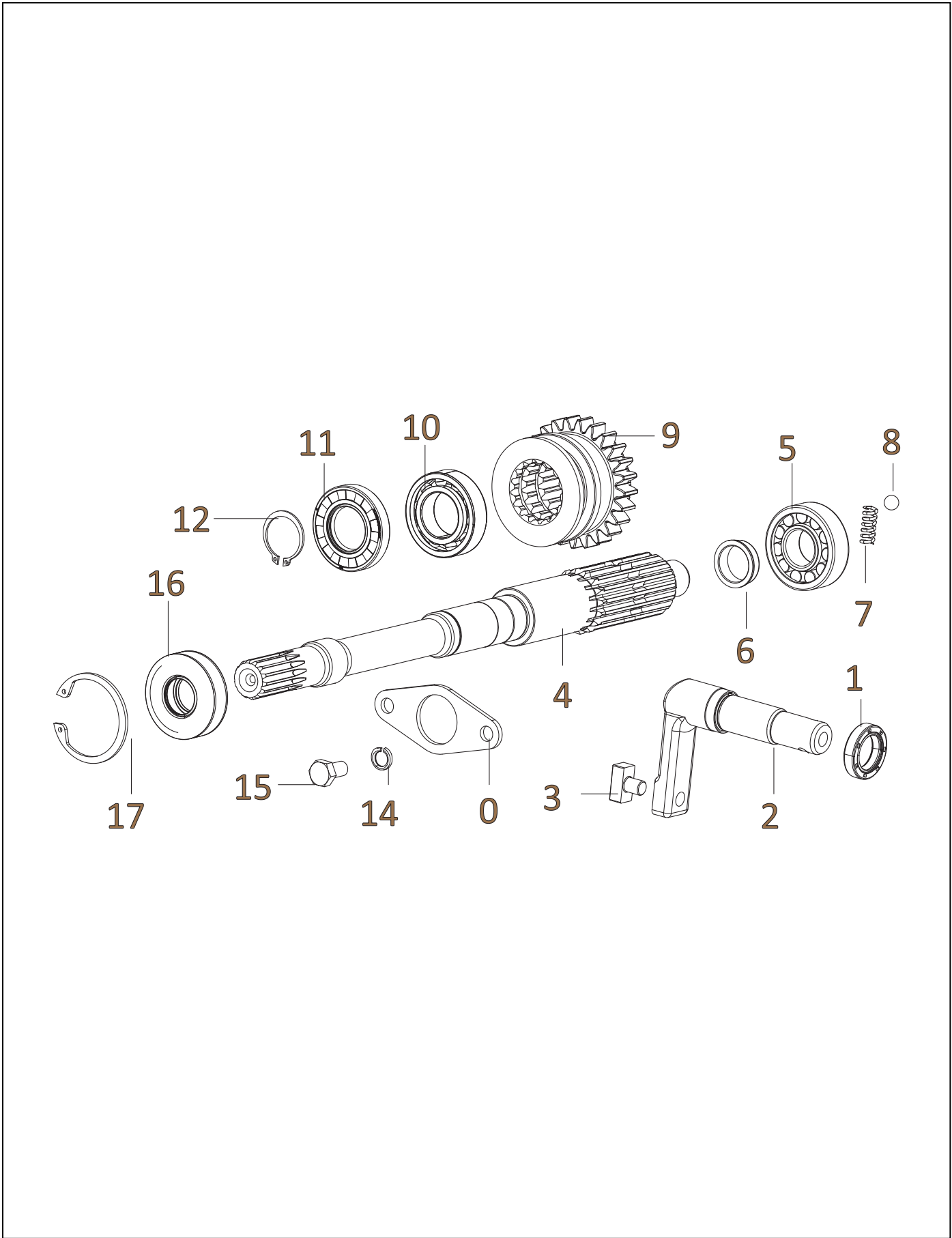


TABLE-18
DRIVE TRAIN 4WD SUBASSEMBLY

| Fig. No. | Part No. | Description | Qty |
|----------|---------------|---------------------------------|-----|
| 1 | D10152510.9 | SEAL OIL 20.0X30.0X7.0 | 1 |
| 2 | D10542300.9 | LEVER 4WD ENGAGE | 1 |
| 3 | D10252790.9 | PIN PTO SHIFTER FORK | 1 |
| 4 | D10599870.9 | SHAFT OUTPUT DROP BOX (HST) | 1 |
| 5 | D10541500.9 | BEARING ROLLER NJ 204 | 1 |
| 6 | D10583080.9 | SPACER 20X26X8.0 SHAFT DROP BOX | 1 |
| 7 | D10548300AB.9 | SPRING COMPRESSION GEAR (4WD) | 1 |
| 8 | D10006740.9 | BALL 5/16" SNAP LOCK | 1 |
| 9 | D10542260.9 | GEAR OUTPUT 4WD Z-25 | 1 |
| 10 | D10541470.9 | BEARING BALL 6005 | 1 |
| 11 | D93601300.9 | SEAL OIL 25X47X10 | 1 |
| 12 | D90000010.9 | CIRCLIP A25X1.2 N | 1 |
| 13 | D10616670AB.9 | PLATE 4WD COMPACT HST | 1 |
| 14 | D86500030AC.9 | WASHER M8 SPRING LOCK | 2 |
| 15 | D81503090.9 | BOLT M8X1.25X16-8.8 HEX HEAD | 2 |
| 16 | D10602670.9 | BEARING BALL 6005 2RS | 1 |
| 17 | D90500370.9 | CIRCLIP B47X2.0 H | 2 |

TABLE-19
HST UNIT SUBASSEMBLY WITH HARDWARE

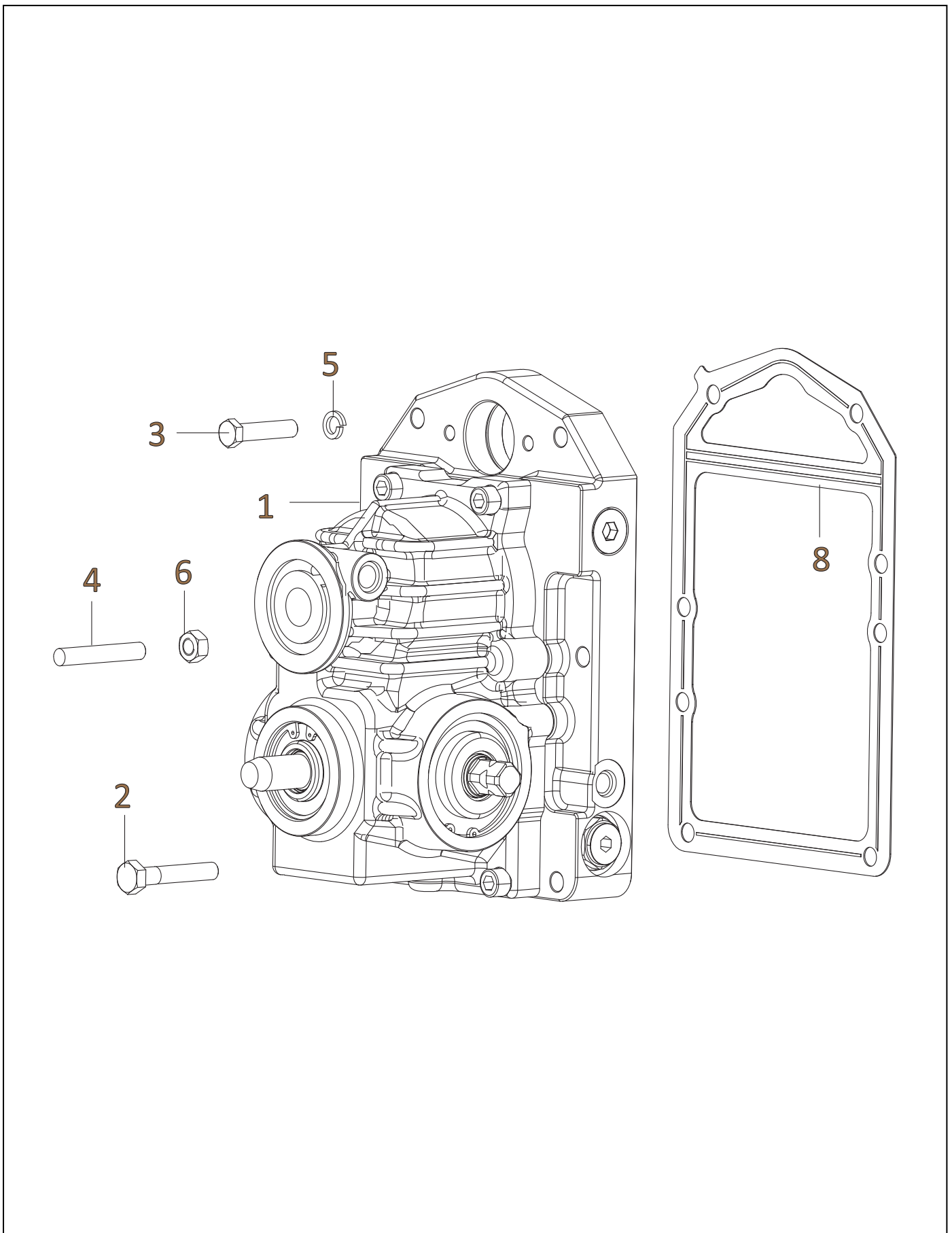


TABLE-19
HST UNIT SUBASSEMBLY WITH HARDWARE

| Fig. No. | Part No. | Description | Qty |
|----------|---------------|---|-----|
| 1 | D11389460AA.9 | HYDROSTATIC UNIT ASSEMBLY NEUTRAL TYPE (25CC) | 1 |
| 2 | D81503150.9 | BOLT M10X1.50X60-10.9 HEX HEAD | 2 |
| 3 | D81500160.9 | BOLT M10X1.50X45-10.9 HEX HEAD | 2 |
| 4 | D84500330.9 | STUD B M10X1.5X65-10.9 | 2 |
| 5 | D86500090.9 | WASHER M10 SPRING LOCK | 6 |
| 6 | D83500090.9 | NUT M10X1.50-8 HEX | 2 |
| 7 | D95000420.9 | LOCTITE 262 | AR |
| 8 | D11034670AB.9 | GASKET HST UNIT (25CC) | 1 |

TABLE-20
HOUSING FRONT HST ASSEMBLY

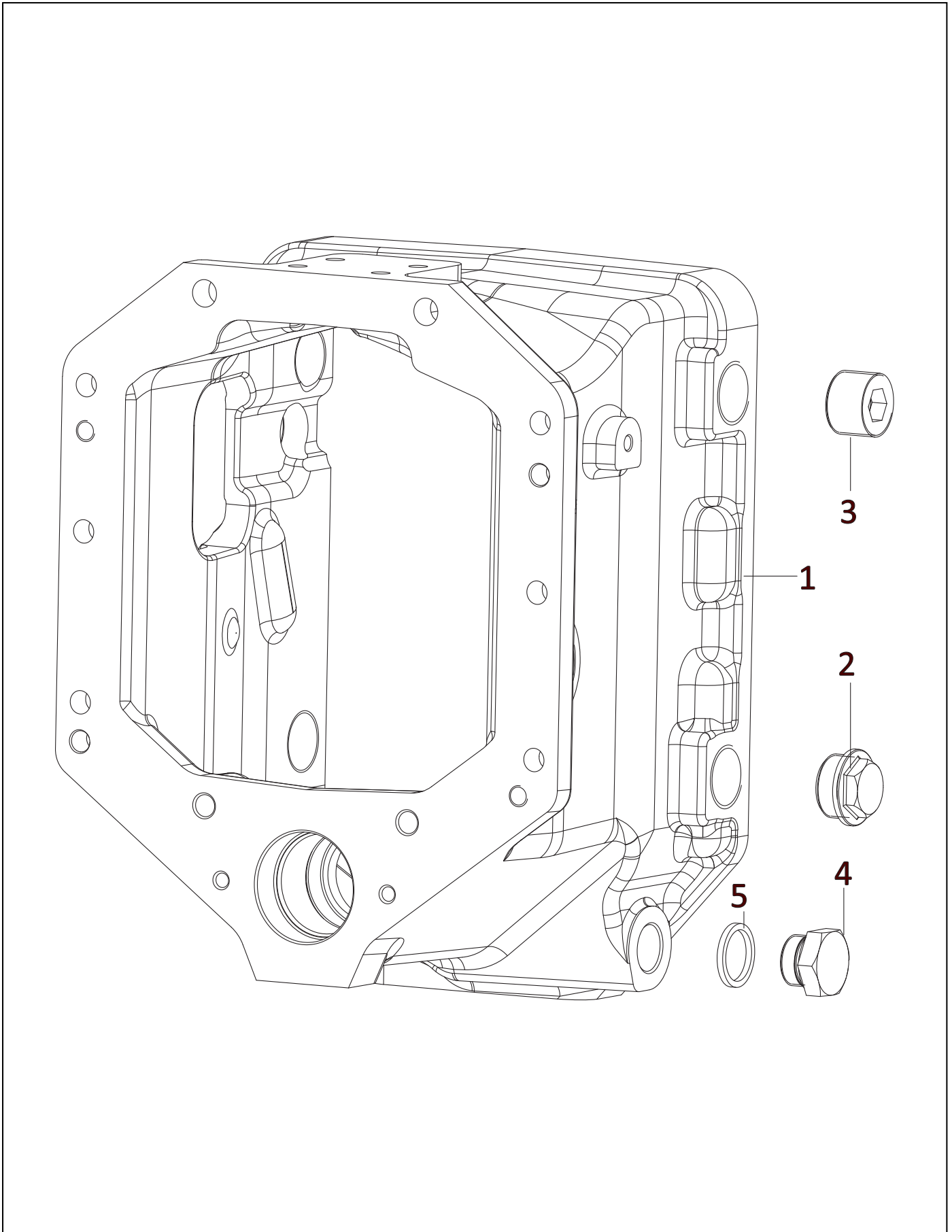


TABLE-20
HOUSING FRONT HST ASSEMBLY

| Fig. No. | Part No. | Description | Qty |
|----------|---------------|---------------------------|-----|
| 1 | D11369240AC.9 | HOUSING FRONT COMPACT HST | 1 |
| 2 | D10238120.9 | PLUG M30X1.5X12 WELCH | 2 |
| 3 | D10616070.9 | PLUG M30X1.5 ALLEN | 2 |
| 4 | D93100330.9 | PLUG M24X2.0-6G | 1 |
| 5 | D10005120.9 | WASHER M24 FLAT COPPER | 1 |

TABLE-21
HARDWARE BUCKLE UP HOUSING INTERMEDIATE AND FRONT SUBASSEMBLY

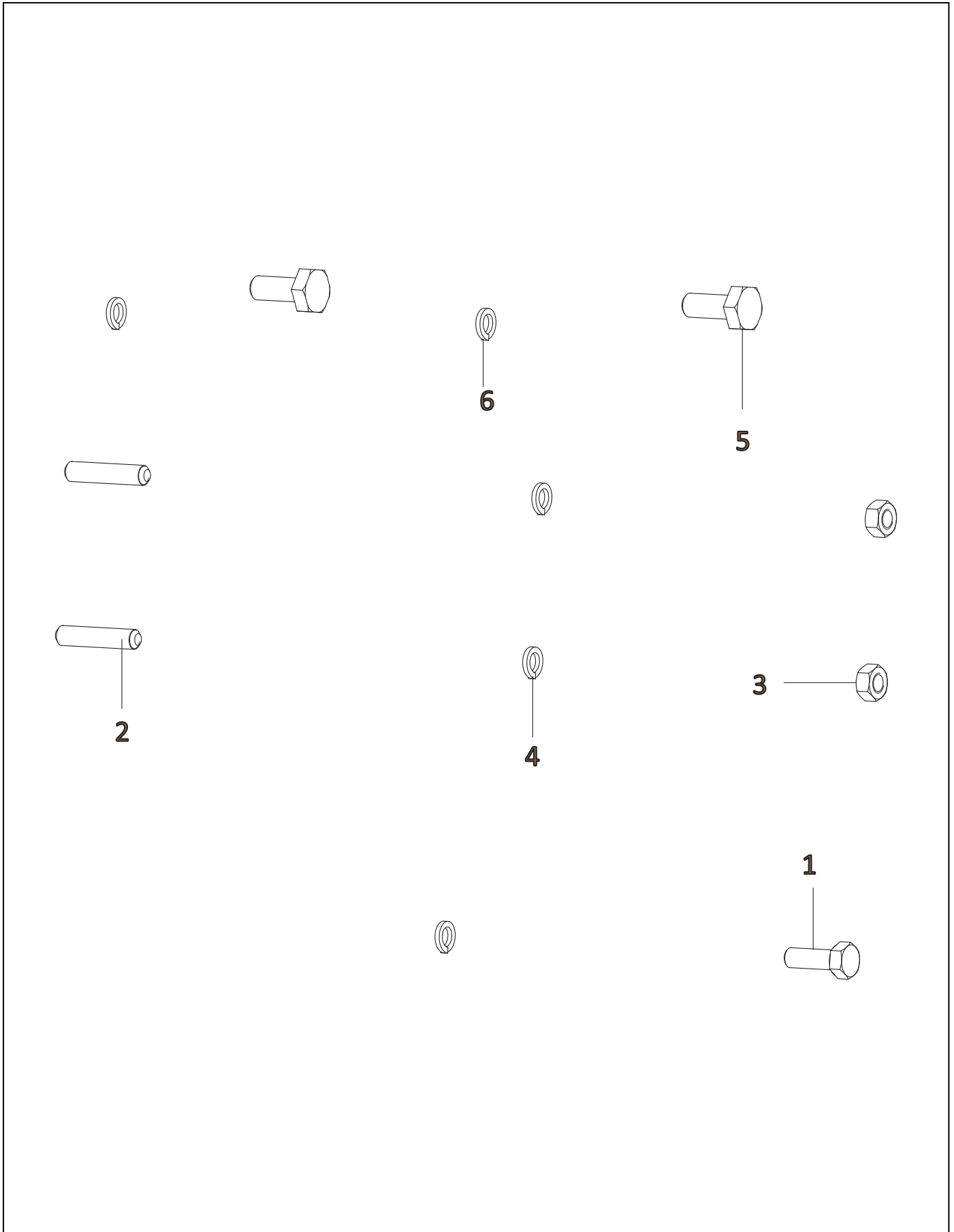


TABLE-21
HARDWARE BUCKLE UP HOUSING INTERMEDIATE AND FRONT SUBASSEMBLY

| Fig. No. | Part No. | Description | Qty |
|----------|-------------|---|-----|
| 1 | D81503880.9 | BOLT M10X1.50X30-10.9 HEX HEAD (16 A/F) | 6 |
| 2 | D84500350.9 | STUD M10X1.5X48-10.9 | 2 |
| 3 | D83500090.9 | NUT M10X1.50-8 HEX | 2 |
| 4 | D86500090.9 | WASHER M10 SPRING LOCK | 8 |
| 5 | D81501910.9 | BOLT M12X1.75X30-10.9 HEX HEAD | 2 |
| 6 | D86500020.9 | WASHER M12 SPRING LOCK | 2 |

TABLE-22
TUBING SUBASSEMBLY HST UNIT

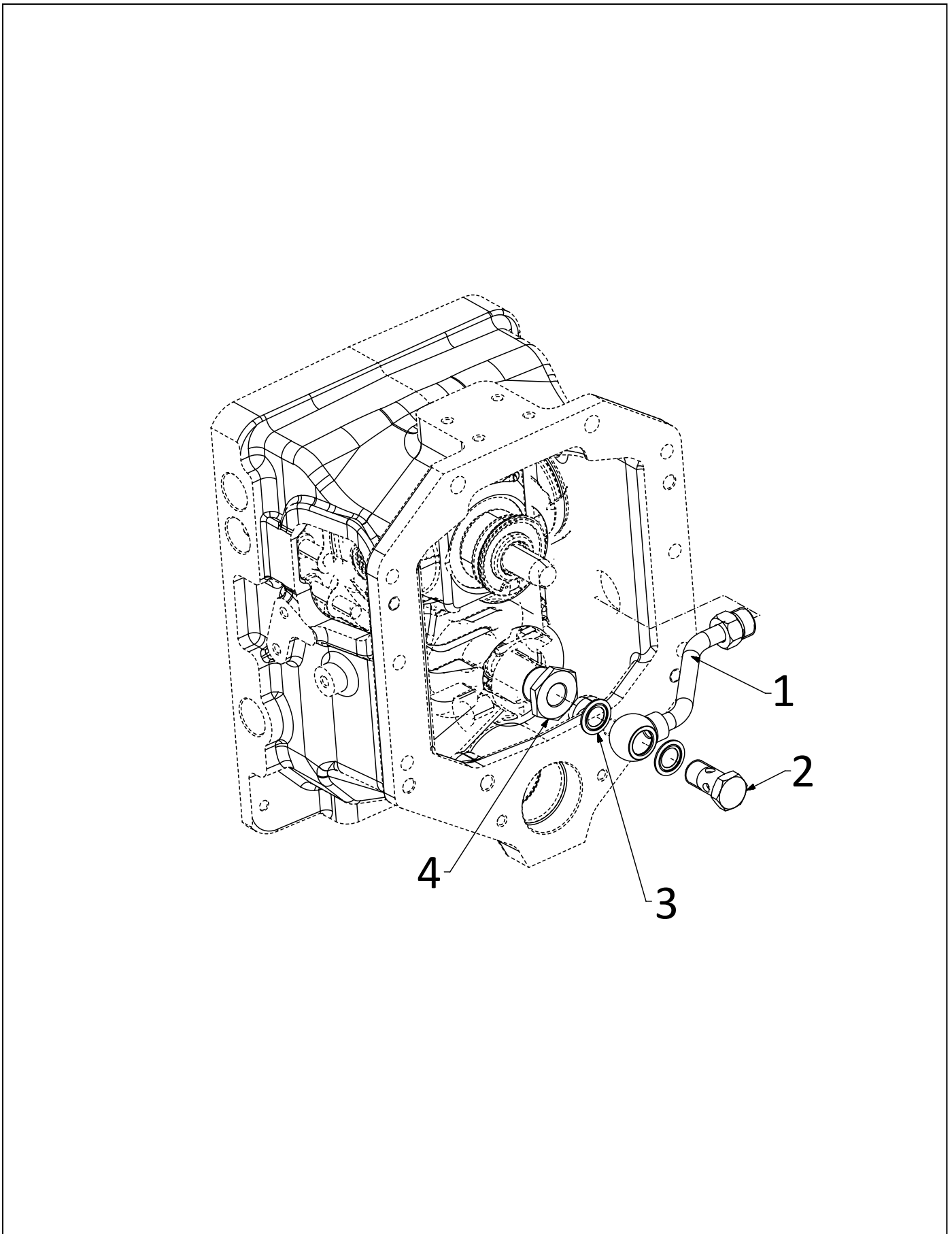


TABLE-22
TUBING SUBASSEMBLY HST UNIT

| Fig. No. | Part No. | Description | Qty |
|----------|---------------|--|-----|
| 1 | D11355430AB.9 | TUBE ASSEMBLY FILTER TO HST VALVE | 1 |
| 2 | D10174960AD.9 | BOLT BANJO M18X1.50 | 1 |
| 3 | D10174950AD.9 | SEAL BANJO BOLT DISTRIBUTOR TO CYLINDER TUBE | 2 |
| 4 | D11788460AA.9 | CONNECTOR M18X1.50 AND 3/4"-BSP STUD END | 1 |

TABLE-23
HOUSING REAR AXLE CENTRE SUBASSEMBLY (HST)

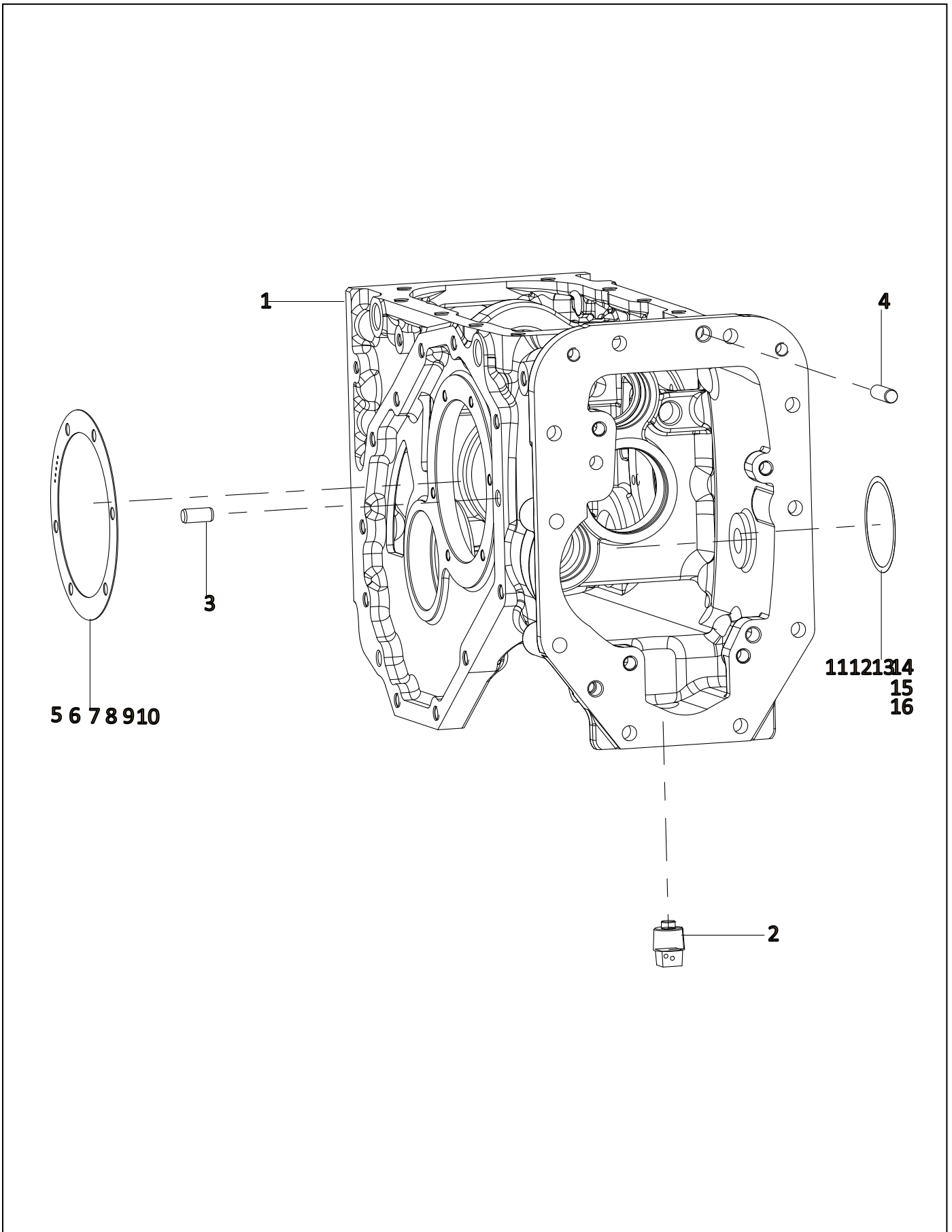


TABLE-23
HOUSING REAR AXLE CENTRE SUBASSEMBLY (HST)

| Fig. No. | Part No. | Description | Qty |
|----------|---------------|--|-----|
| 1 | D10594190AD.9 | HOUSING REAR COMPACT MID PTO | 1 |
| 2 | D10213110.9 | PLUG DRAIN 3/4-14 NPTF (MAGNETIC) | 1 |
| 3 | D87500030.9 | PIN 10X22 DOWEL | 9 |
| 4 | D93400460.9 | PIN 10X35 PLAIN DOWEL | 2 |
| 5 | D10541130.9 | SHIM RETAINER DIFFERENTIAL (0.075 MM) | 2 |
| 6 | D10541140.9 | SHIM RETAINER DIFFERENTIAL (0.125 MM) | 2 |
| 7 | D10541150.9 | SHIM RETAINER DIFFERENTIAL (0.2285 MM) | 2 |
| 8 | D10541160.9 | SHIM RETAINER DIFFERENTIAL (0.4065 MM) | 2 |
| 9 | D10541170.9 | SHIM RETAINER DIFFERENTIAL (0.5335 MM) | 2 |
| 10 | D10541180.9 | SHIM RETAINER DIFFERENTIAL (0.7875 MM) | 2 |
| 11 | D10537800.9 | SHIM REAR AXLE SHAFT (0.075 MM) | 2 |
| 12 | D10537810.9 | SHIM REAR AXLE SHAFT (0.125 MM) | 2 |
| 13 | D10537820.9 | SHIM REAR AXLE SHAFT (0.2285 MM) | 2 |
| 14 | D10537830.9 | SHIM REAR AXLE SHAFT (0.4065 MM) | 2 |
| 15 | D10537840.9 | SHIM REAR AXLE SHAFT (0.5335 MM) | 2 |
| 16 | D10537850.9 | SHIM REAR AXLE SHAFT (0.7875 MM) | 2 |

TABLE-24
GEAR AND DIFFERENTIAL REAR AXLE SUBASSEMBLY

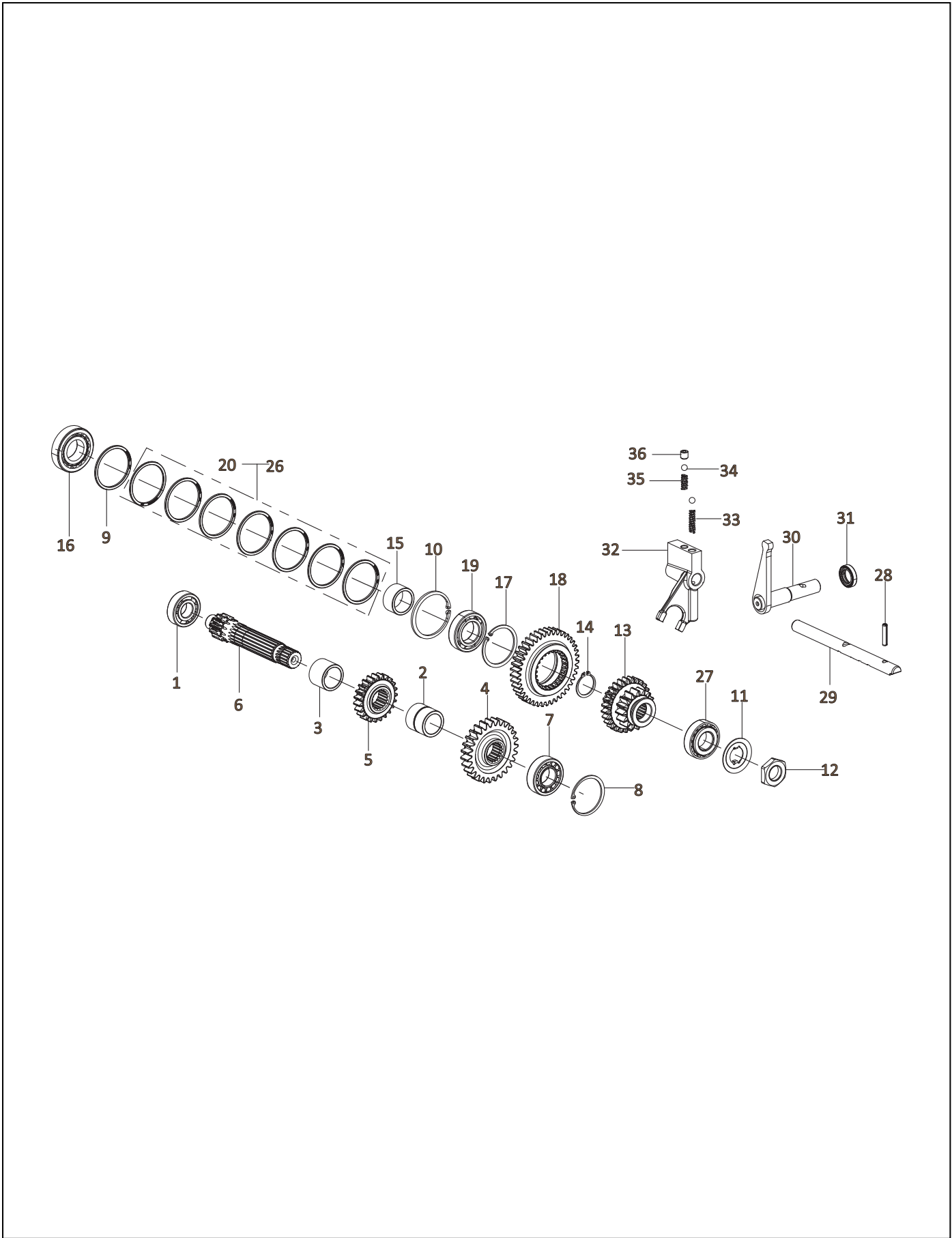


TABLE-24
GEAR AND DIFFERENTIAL REAR AXLE SUBASSEMBLY

| Fig. No. | Part No. | Description | Qty |
|----------|---------------|---|-----|
| 1 | D10541050.9 | GEAR SET BEVEL PINION AND CROWN WHEEL REAR AXLE Z-41/11 | 1 |
| 2 | D10537130.9 | CASING DIFFERENTIAL REAR AXLE | 1 |
| 3 | D82501060.9 | SCREW M8X1.25X18-10.9 HEX HEAD | 10 |
| 4 | D85500440.9 | WASHER 8.1X13X1.0 FLAT | 10 |
| 5 | D10536870.9 | WASHER LOCK DIFFERENTIAL CROWN WHEEL GEAR | 5 |
| 6 | D10520880.9 | BEVEL SIDE GEAR DIFFERENTIAL Z-13 | 2 |
| 7 | D10536860.9 | WASHER REAR AXLE DIFFERENTIAL THRUST | 2 |
| 8 | D10520890.9 | PINION GEAR DIFFERENTIAL Z-9 | 2 |
| 9 | D10536850.9 | WASHER REAR AXLE DIFFERENTIAL PINION | 2 |
| 10 | D10536840AB.9 | SPIDER REAR AXLE DIFFERENTIAL | 1 |
| 11 | D87500540.9 | PIN 5X40 SPRING DOWEL | 1 |

TABLE-25
DIFFERENTIAL LOCK SUBASSEMBLY

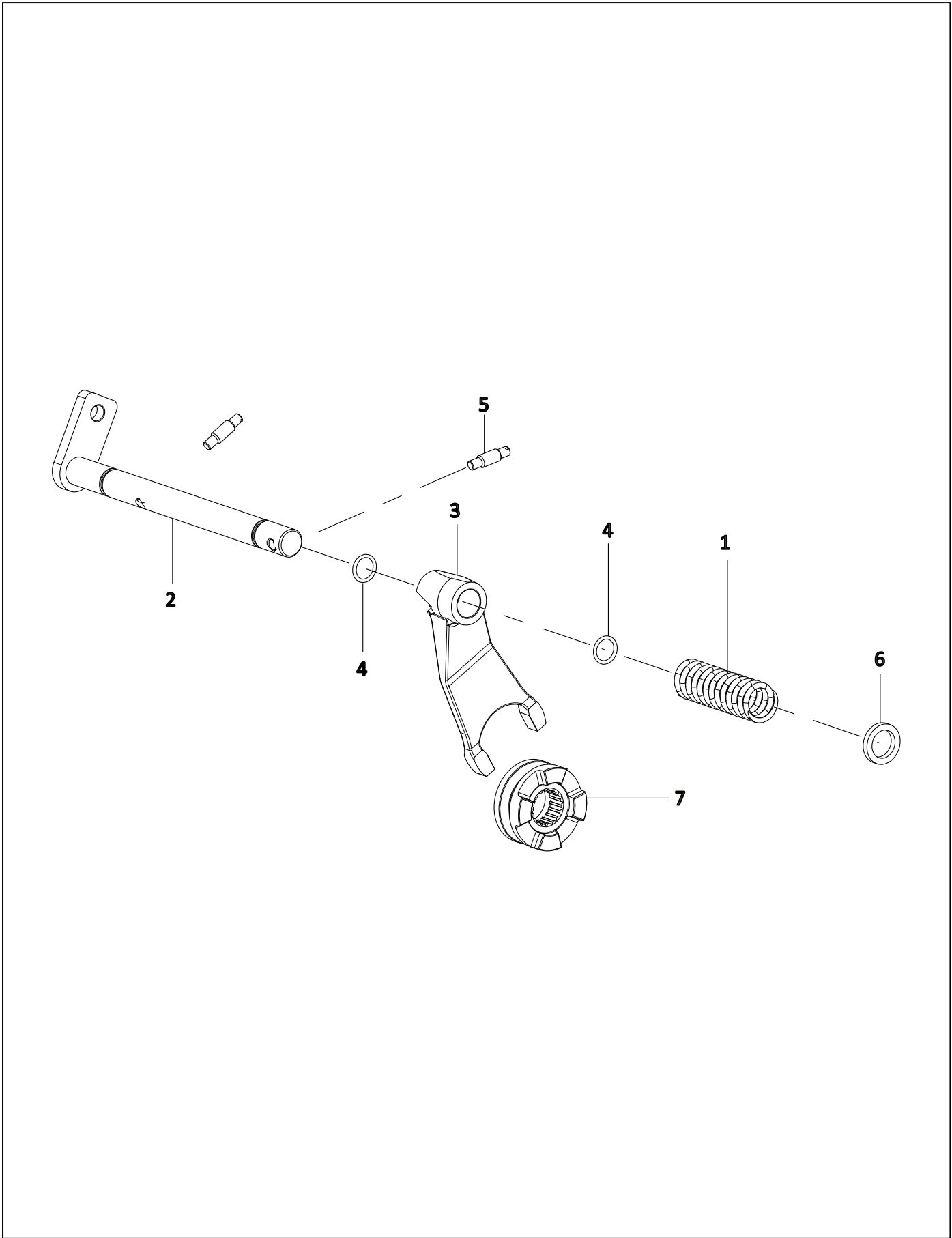


TABLE-25
DIFFERENTIAL LOCK SUBASSEMBLY

| Fig. No. | Part No. | Description | Qty |
|----------|-------------|--|-----|
| 1 | D10541080.9 | SPRING REAR AXLE DIFFERENTIAL LOCK | 1 |
| 2 | D10541100.9 | SHAFT AND LEVER ASSEMBLY REAR AXLE DIFFERENTIAL LOCK | 1 |
| 3 | D10541110.9 | FORK DIFFERENTIAL LOCK | 1 |
| 4 | D10007720.9 | SEAL O RING 2.00X14.00 | 2 |
| 5 | D10546180.9 | PIN REAR AXLE DIFFERENTIAL LOCK SHAFT | 2 |
| 6 | D10550590.9 | SPACER 18X26X4.0 FLAT | 1 |
| 7 | D10541090.9 | SLEEVE REAR AXLE DIFFERENTIAL LOCK | 1 |

TABLE-26
RETAINER BEARING DIFFERENTIAL SUBASSEMBLY LH

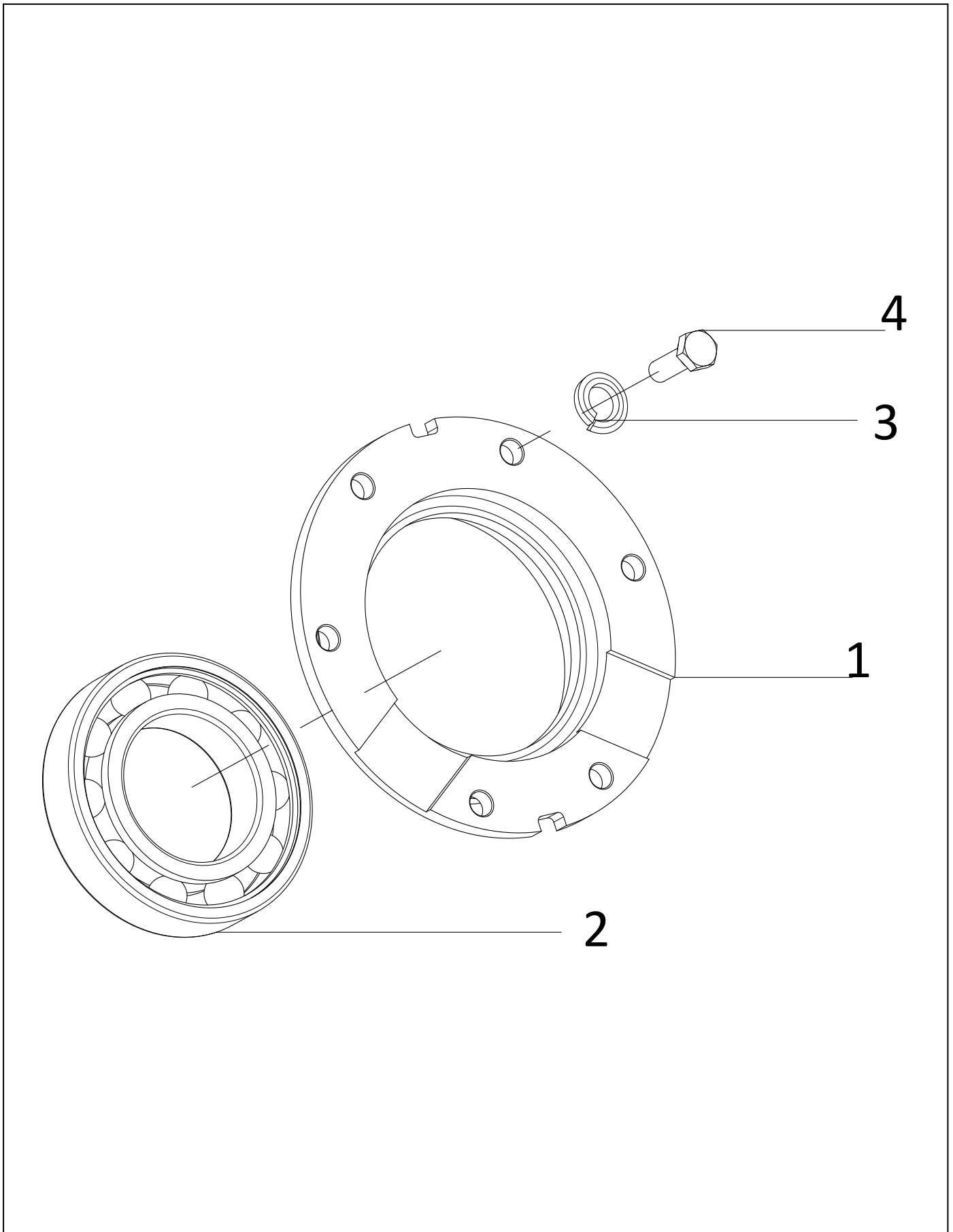


TABLE-26
RETAINER BEARING DIFFERENTIAL SUBASSEMBLY LH

| Fig. No. | Part No. | Description | Qty |
|----------|---------------|----------------------------------|-----|
| 1 | D10537770.9 | RETAINER BEARING DIFFERENTIAL LH | 1 |
| 2 | D10584630.9 | BALL BEARING 6211 CN | 1 |
| 3 | D86500030AC.9 | WASHER M8 SPRING LOCK | 6 |
| 4 | D82500080.9 | SCREW M8X1.25X25-8.8 HEX HEAD | 6 |

TABLE-27
RETAINER BEARING DIFFERENTIAL SUBASSEMBLY RH

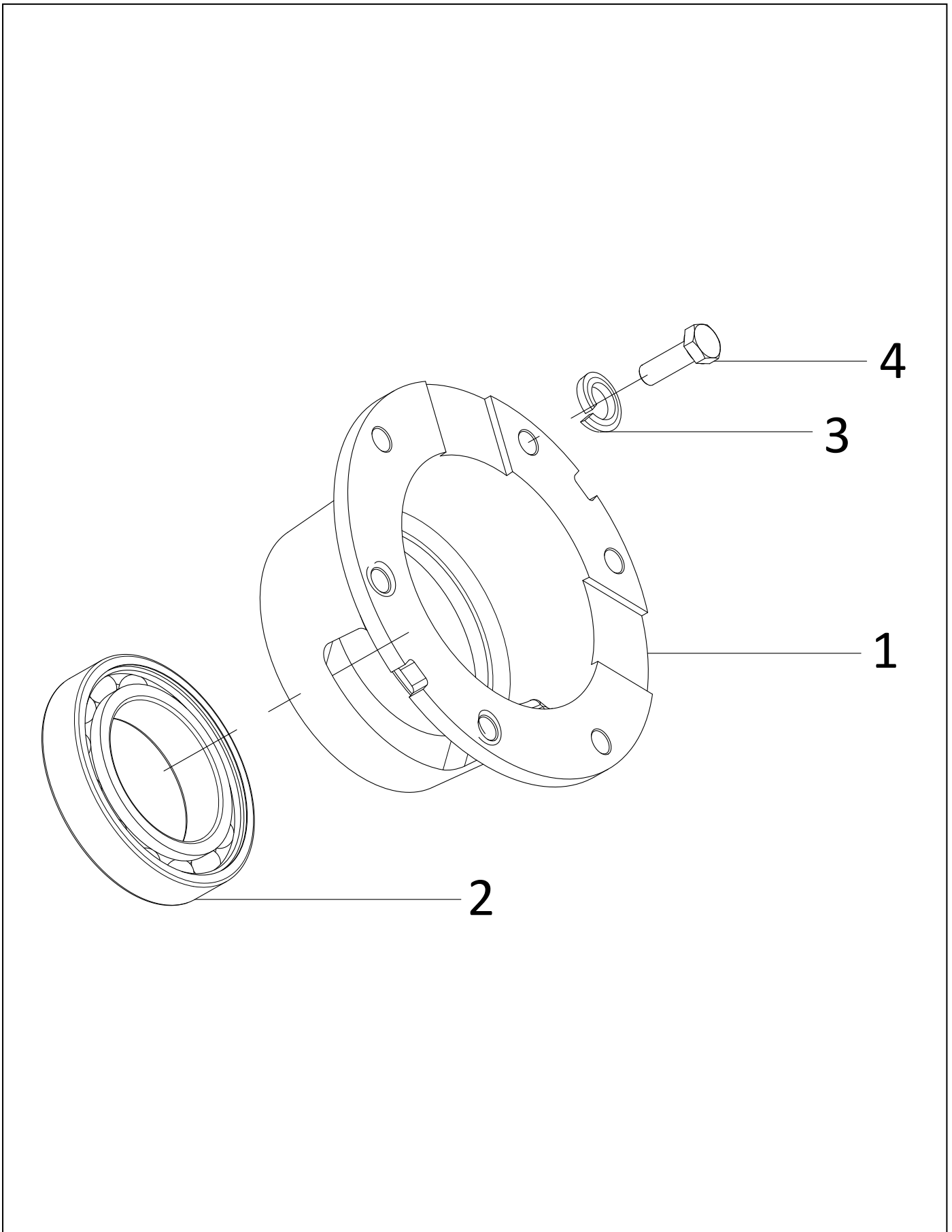


TABLE-27
RETAINER BEARING DIFFERENTIAL SUBASSEMBLY RH

| Fig. No. | Part No. | Description | Qty |
|----------|---------------|----------------------------------|-----|
| 1 | D10537780.9 | RETAINER BEARING DIFFERENTIAL RH | 1 |
| 2 | D10541480.9 | BEARING BALL 6011 | 1 |
| 3 | D86500030AC.9 | WASHER M8 SPRING LOCK | 6 |
| 4 | D82500080.9 | SCREW M8X1.25X25-8.8 HEX HEAD | 6 |

TABLE-28
HOUSING REAR AXLE RH SUBASSEMBLY

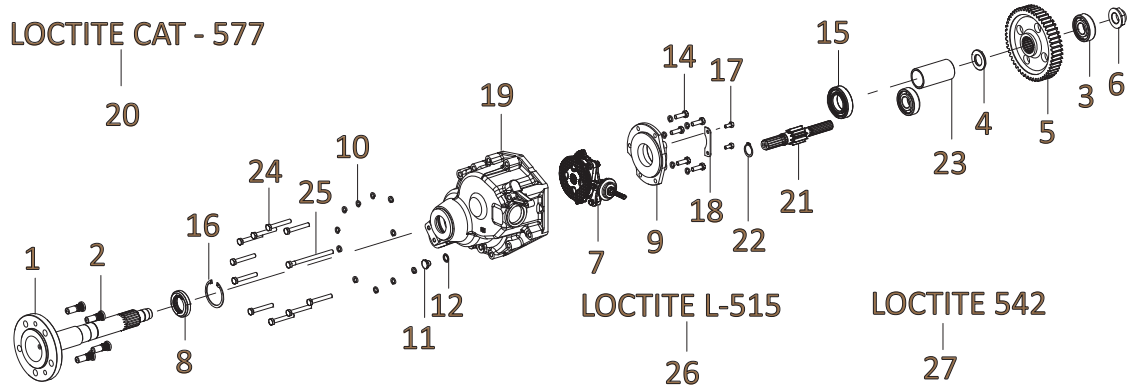


TABLE-28
HOUSING REAR AXLE RH SUBASSEMBLY

| Fig. No. | Part No. | Description | Qty |
|----------|---------------|--|-----|
| 1 | D10527500.9 | SHAFT AXLE REAR | 1 |
| 2 | D10579620.9 | BOLT M16X1.5X48-10.9 REAR WHEEL | 5 |
| 3 | D10533260.9 | BEARING BALL 6306 | 2 |
| 4 | D10527460.9 | SPACER AXLE SHAFT INNER | 1 |
| 5 | D10527450.9 | GEAR DRIVEN FINAL DRIVE REDUCTION (Z-53) | 1 |
| 6 | D10536480.9 | NUT CRIMPING M30X1.5 | 1 |
| 7 | D10507990AD.9 | BRAKE ASSEMBLY REAR WHEEL 4.5 (WET TYPE) | 1 |
| 8 | D93601420.9 | SEAL OIL 45X70X14.0 | 1 |
| 9 | D10537790.9 | HOUSING BRAKE INNER RH | 1 |
| 10 | D86500090.9 | WASHER M10 SPRING LOCK | 16 |
| 11 | D10006570.9 | PLUG DRAIN M14X1.5X10 | 1 |
| 12 | D10513210.9 | WASHER BONDED SEAL 14.7X22.0X1.5 | 1 |
| 14 | D81503880.9 | BOLT M10X1.50X30-10.9 HEX HEAD (16 A/F) | 5 |
| 15 | D10618950.9 | BEARING BALL 6209 CN | 1 |
| 16 | D90500470.9 | CIRCLIP B70X1.5 N | 1 |
| 17 | D82501060.9 | SCREW M8X1.25X18-10.9 HEX HEAD | 2 |
| 18 | D10580870.9 | WASHER LOCK BULL PINION SHAFT BEARING | 1 |
| 19 | D10777560BA.9 | HOUSING REAR AXLE RH | 1 |
| 20 | D95000130.9 | LOCTITE CAT - 577 | AR |
| 21 | D10536470.9 | SHAFT BULL PINION RH (Z-9) | 1 |
| 22 | D90000560.9 | CIRCLIP A30.0X2.0 H | 1 |
| 23 | D10527440AB.9 | SPACER BULL GEAR LOCKING | 1 |
| 24 | D81503420.9 | BOLT M10X1.50X70-10.9 HEX HEAD | 10 |
| 25 | D81503890.9 | BOLT M10X1.50X143-10.9 HEX HEAD (16 A/F) | 1 |
| 26 | D95000750.9 | LOCTITE L-515 | AR |
| 27 | D95004560.9 | LOCTITE 542 | AR |

TABLE-29
HOUSING REAR AXLE LH SUBASSEMBLY

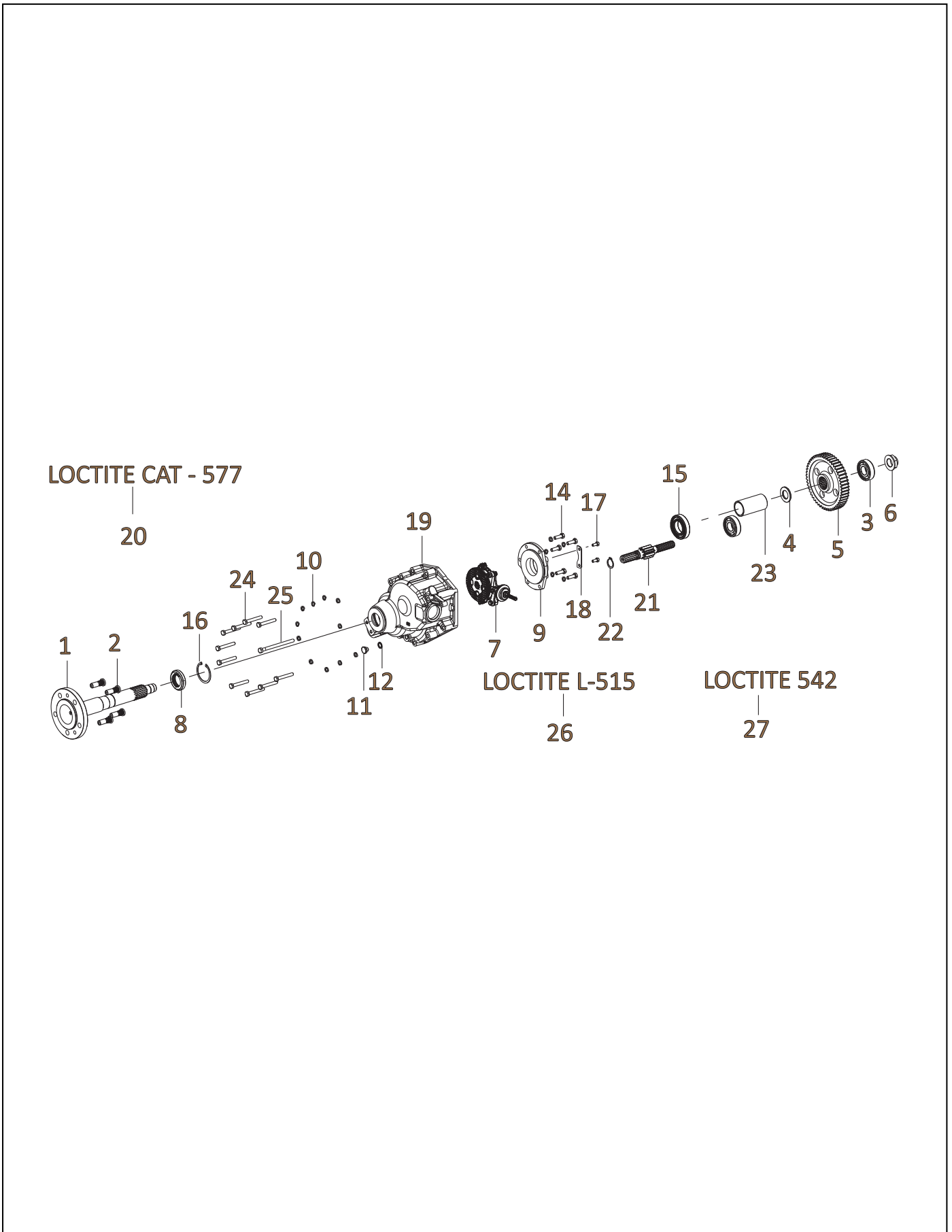


TABLE-29
HOUSING REAR AXLE LH SUBASSEMBLY

| Fig. No. | Part No. | Description | Qty |
|----------|---------------|--|-----|
| 1 | D10527500.9 | SHAFT AXLE REAR | 1 |
| 2 | D10579620.9 | BOLT M16X1.5X48-10.9 REAR WHEEL | 5 |
| 3 | D10533260.9 | BEARING BALL 6306 | 2 |
| 4 | D10527460.9 | SPACER AXLE SHAFT INNER | 1 |
| 5 | D10527450.9 | GEAR DRIVEN FINAL DRIVE REDUCTION (Z-53) | 1 |
| 6 | D10536480.9 | NUT CRIMPING M30X1.5 | 1 |
| 7 | D10536460.9 | SHAFT BULL PINION LH (Z-9) | 1 |
| 7-1 | D10507990AD.9 | BRAKE ASSEMBLY REAR WHEEL 4.5 (WET TYPE) | 1 |
| 8 | D93601420.9 | SEAL OIL 45X70X14.0 | 1 |
| 10 | D86500090.9 | WASHER M10 SPRING LOCK | 16 |
| 11 | D10006570.9 | PLUG DRAIN M14X1.5X10 | 1 |
| 11-1 | D10543900.9 | HOUSING BRAKE INNER LH | 1 |
| 12 | D10513210.9 | WASHER BONDED SEAL 14.7X22.0X1.5 | 1 |
| 14 | D81503880.9 | BOLT M10X1.50X30-10.9 HEX HEAD (16 A/F) | 5 |
| 15 | D10618950.9 | BEARING BALL 6209 CN | 1 |
| 16 | D90500470.9 | CIRCLIP B70X1.5 N | 1 |
| 17 | D82501060.9 | SCREW M8X1.25X18-10.9 HEX HEAD | 2 |
| 18 | D10580870.9 | WASHER LOCK BULL PINION SHAFT BEARING | 1 |
| 20 | D95000130.9 | LOCTITE CAT - 577 | AR |
| 21 | D10777550BA.9 | HOUSING REAR AXLE LH | 1 |
| 22 | D90000560.9 | CIRCLIP A30.0X2.0 H | 1 |
| 23 | D10527440AB.9 | SPACER BULL GEAR LOCKING | 1 |
| 24 | D81503420.9 | BOLT M10X1.50X70-10.9 HEX HEAD | 10 |
| 25 | D81503890.9 | BOLT M10X1.50X143-10.9 HEX HEAD (16 A/F) | 1 |
| 26 | D95000750.9 | LOCTITE L-515 | AR |
| 27 | D95004560.9 | LOCTITE 542 | AR |

TABLE-30
PTO MID DRIVE TRAIN ASSEMBLY

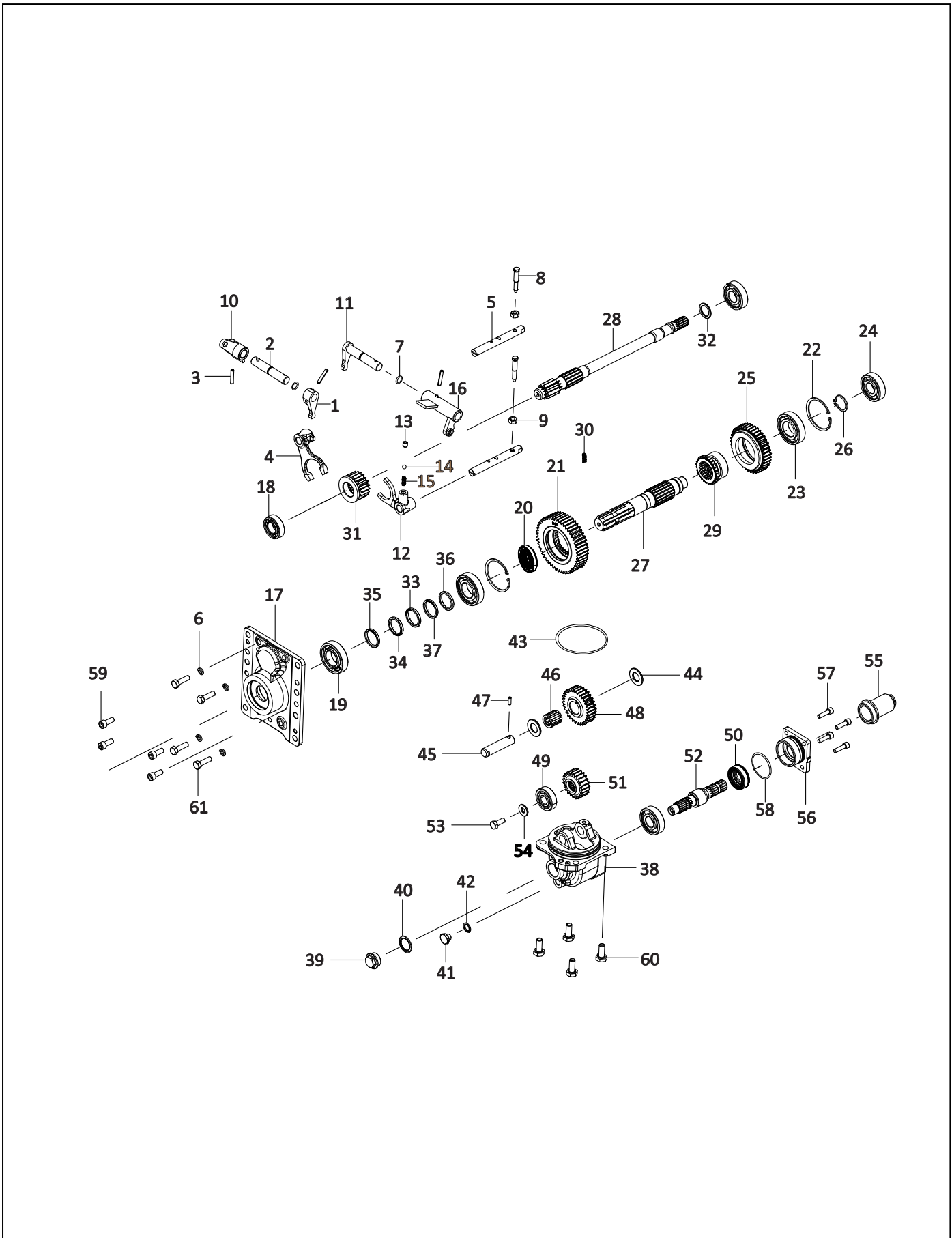


TABLE-30
PTO MID DRIVE TRAIN ASSEMBLY

| Fig. No. | Part No. | Description | Qty |
|----------|---------------|---|-----|
| 1 | D10599710.9 | LEVER REAR PTO COMPACT | 1 |
| 2 | D10599700.9 | SHAFT REAR PTO LEVER COMPACT | 1 |
| 3 | D10683440.9 | PIN 6.0X35 SPRING DOWEL COMBINATION TYPE | 3 |
| 4 | D10578880AC.9 | FORK PTO SHIFTING | 1 |
| 5 | D10578910.9 | RAIL MID PTO SHIFTER | 2 |
| 6 | D86500090.9 | WASHER M10 SPRING LOCK | 4 |
| 7 | D10007720.9 | SEAL O RING 2.00X14.00 | 2 |
| 8 | D10543890.9 | SCREW PTO RAIL LOCK | 2 |
| 9 | D83500090.9 | NUT M10X1.50-8 HEX | 2 |
| 10 | D10556870.9 | LEVER AND HUB ASSEMBLY GEAR SHIFTING TRANSMISSION (PTO) | 1 |
| 11 | D10541370.9 | LEVER PTO SHIFTING | 1 |
| 12 | D10578890AB.9 | FORK MID PTO SHIFTER | 1 |
| 13 | D82501100.9 | SCREW GRUB M10X1.5X10 - 45H | 1 |
| 14 | D10006740.9 | BALL 5/16" SNAP LOCK | 2 |
| 15 | D10543910AB.9 | SPRING PTO SHIFTING | 1 |
| 16 | D11544840AB.9 | LEVER AND HUB ASSEMBLY GEAR SHIFTING TRANSMISSION (MID PTO) | 1 |
| 17 | D10541340.9 | RETAINER PTO OUTPUT SHAFT | 1 |
| 18 | D10541490.9 | BEARING ROLLER NJ 205 | 1 |
| 19 | D10002140.9 | BEARING BALL PTO SHAFT REAR AXLE | 1 |
| 20 | D10452820AD.9 | SEAL OIL 35X60X14.5 PTO OUTPUT SHAFT | 1 |
| 21 | D10538850.9 | GEAR PTO DRIVEN (Z-51) | 1 |
| 22 | D90000240.9 | CIRCLIP B72X2.5 N | 2 |
| 23 | D10001040.9 | BEARING BALL PTO COUNTERSHAFT | 2 |
| 24 | D10170170.9 | BEARING BALL 6305 | 3 |
| 25 | D10578860.9 | GEAR MID PTO Z-41 | 1 |
| 26 | D90000550.9 | CIRCLIP A35.0X2.5 H | 1 |
| 27 | D10578850AB.9 | SHAFT REAR PTO OUTPUT | 1 |
| 28 | D10578830AB.9 | SHAFT INPUT PTO (Z-11) | 1 |
| 29 | D10578870.9 | SLEEVE REAR PTO SHIFTER | 1 |
| 30 | D10548300AB.9 | SPRING COMPRESSION GEAR (4WD) | 1 |
| 31 | D10578840.9 | GEAR MID PTO DRIVER Z-21 | 1 |
| 32 | D10553350.9 | SPACER 35X25X3.0 | 1 |
| 33 | D10590390.9 | SPACER PTO OUTPUT SHAFT (5.1 MM) | 2 |
| 34 | D10590380.9 | SPACER PTO OUTPUT SHAFT (5.0 MM) | 2 |
| 35 | D10590360.9 | SPACER PTO OUTPUT SHAFT (4.8 MM) | 2 |
| 36 | D10590370.9 | SPACER PTO OUTPUT SHAFT (4.9 MM) | 2 |
| 37 | D10590350.9 | SPACER PTO OUTPUT SHAFT (4.7 MM) | 2 |
| 38 | D10594380AD.9 | HOUSING DROP BOX MID PTO | 1 |
| 39 | D10238120.9 | PLUG M30X1.5X12 WELCH | 1 |
| 40 | D10598860.9 | WASHER SEALING M30 | 1 |

TABLE-30
PTO MID DRIVE TRAIN ASSEMBLY

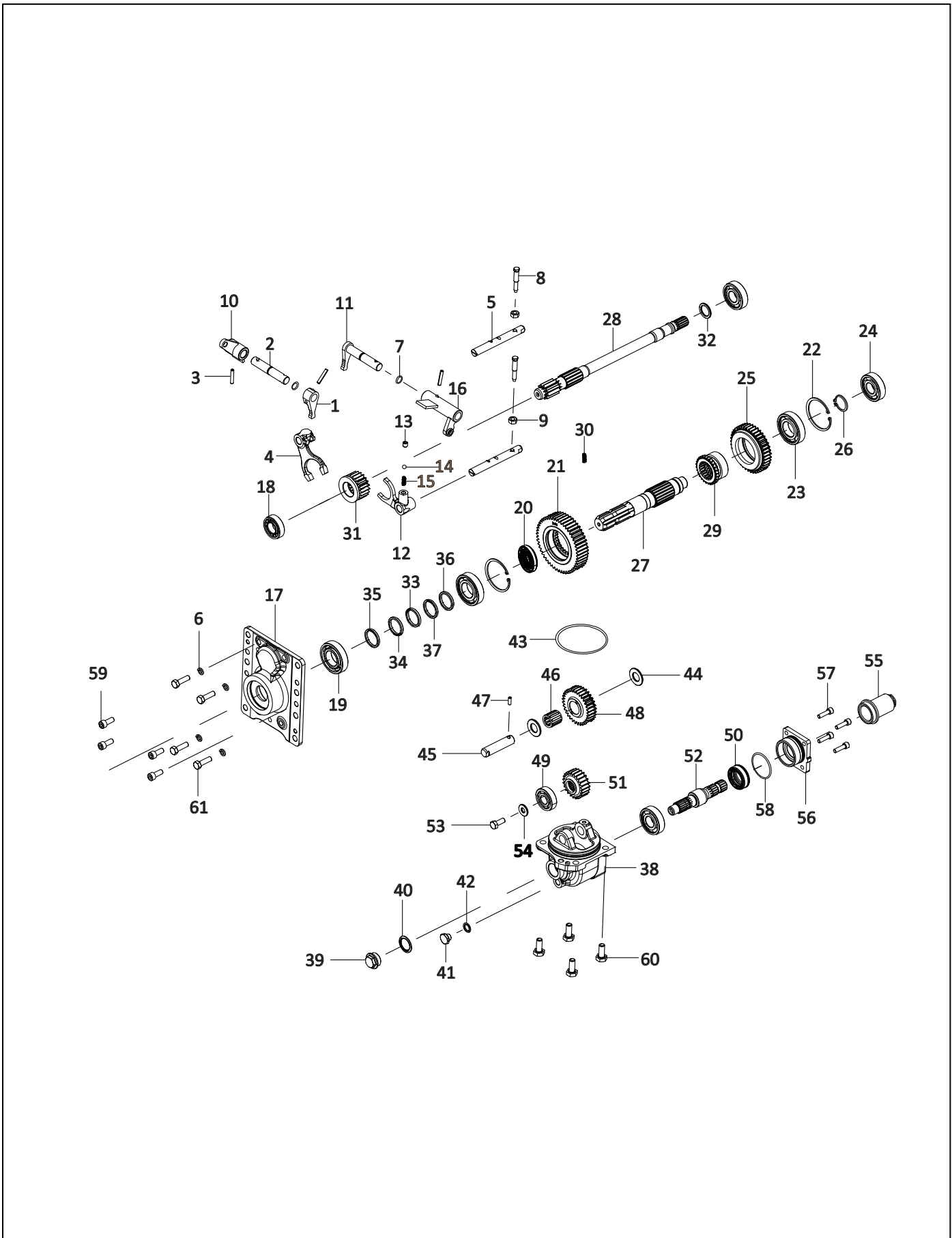


TABLE-30
PTO MID DRIVE TRAIN ASSEMBLY

| Fig. No. | Part No. | Description | Qty |
|----------|-------------|---|-----|
| 41 | D10006570.9 | PLUG DRAIN M14X1.5X10 | 1 |
| 42 | D10513210.9 | WASHER BONDED SEAL 14.7X22.0X1.5 | 1 |
| 43 | D93601230.9 | SEAL O RING 3.53X104.37 | 1 |
| 44 | D10579670.9 | SPACER GEAR MID PTO | 2 |
| 45 | D10579680.9 | SHAFT GEAR MID PTO | 1 |
| 46 | D10579660.9 | CAGE NEEDLE ROLLER BEARING | 1 |
| 47 | D87500170.9 | PIN 6.0X18.0 SPRING DOWEL | 1 |
| 48 | D10579650.9 | GEAR TRANSMISSION MID PTO (Z-32) | 1 |
| 49 | D10541460.9 | BEARING BALL 6304 | 1 |
| 50 | D10312760.9 | SEAL OIL DROP BOX OUTPUT SHAFT (COMBINATION TYPE) | 1 |
| 51 | D10579640.9 | GEAR MID PTO DRIVEN Z-23 | 1 |
| 52 | D10761720.9 | SHAFT MID PTO OUTPUT | 1 |
| 53 | D81502150.9 | BOLT M10X1.50X25-10.9 HEX HEAD | 1 |
| 54 | D10598870.9 | WASHER 11X27X3.0 HST | 1 |
| 55 | D10779660.9 | CAP MID PTO SHAFT REAR AXLE | 1 |
| 56 | D10779650.9 | RETAINER SEAL MID PTO | 1 |
| 57 | D82500680.9 | SCREW M8X1.25X30 ALLEN | 4 |
| 58 | D10547380.9 | SEAL O RING 2.62X55.0 | 1 |
| 59 | D81503270.9 | BOLT M10X25X1.5-10.9 ALLEN | 4 |
| 60 | D81501910.9 | BOLT M12X1.75X30-10.9 HEX HEAD | 4 |
| 61 | D81503870.9 | BOLT M10X1.50X35-10.9 HEX HEAD (16 A/F) | 4 |

TABLE-31
PLATE INTERMEDIATE TRANSMISSION ASSEMBLY (Z-24)

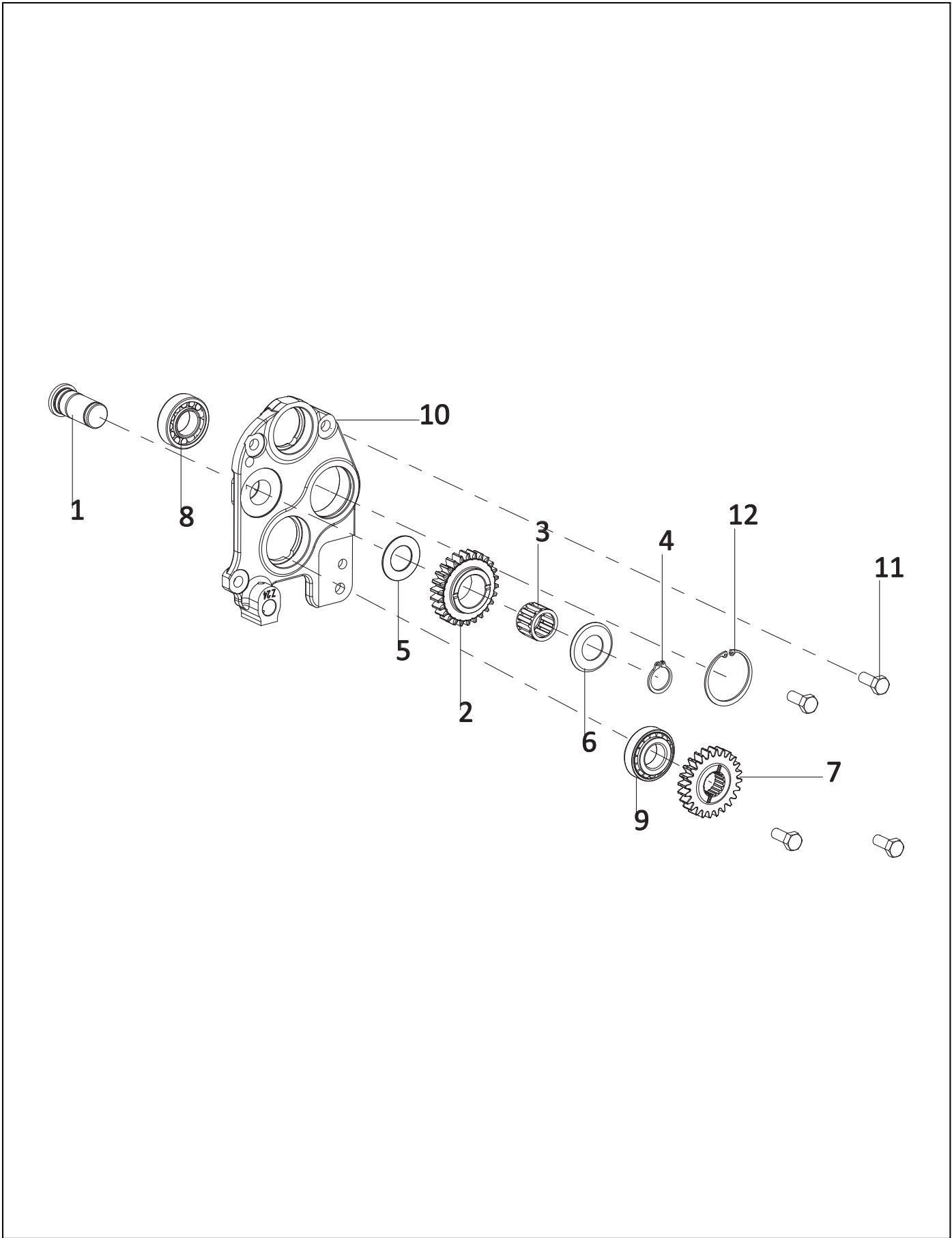


TABLE-31
PLATE INTERMEDIATE TRANSMISSION ASSEMBLY (Z-24)

| Fig. No. | Part No. | Description | Qty |
|----------|-------------|---|-----|
| 1 | D10542270.9 | SHAFT IDLER 4WD | 1 |
| 2 | D10542250.9 | GEAR IDLER 4WD Z-26 | 1 |
| 3 | D10106190.9 | BEARING NEEDLE ROLLER (25X33X23.8) | 1 |
| 4 | D90000480.9 | CIRCLIP A25X2.0 H | 1 |
| 5 | D86500190.9 | WASHER 45X25X1.5 | 1 |
| 6 | D10673250.9 | WASHER THRUST GEAR 4WD IDLER | 1 |
| 7 | D10565690.9 | GEAR DRIVER 4WD Z 24 | 1 |
| 8 | D10541490.9 | BEARING ROLLER NJ 205 | 1 |
| 9 | D10001990.9 | BEARING ASSEMBLY TRANSMISSION MAIN SHAFT REAR PILOT | 1 |
| 10 | D10565720.9 | PLATE INTERMEDIATE TRANSMISSION Z 24 | 1 |
| 11 | D81502150.9 | BOLT M10X1.50X25-10.9 HEX HEAD | 4 |
| 12 | D90500390.9 | CIRCLIP B52X2.0 N | 1 |

TABLE-32
DRIVE TRAIN RANGE GEAR ASSEMBLY

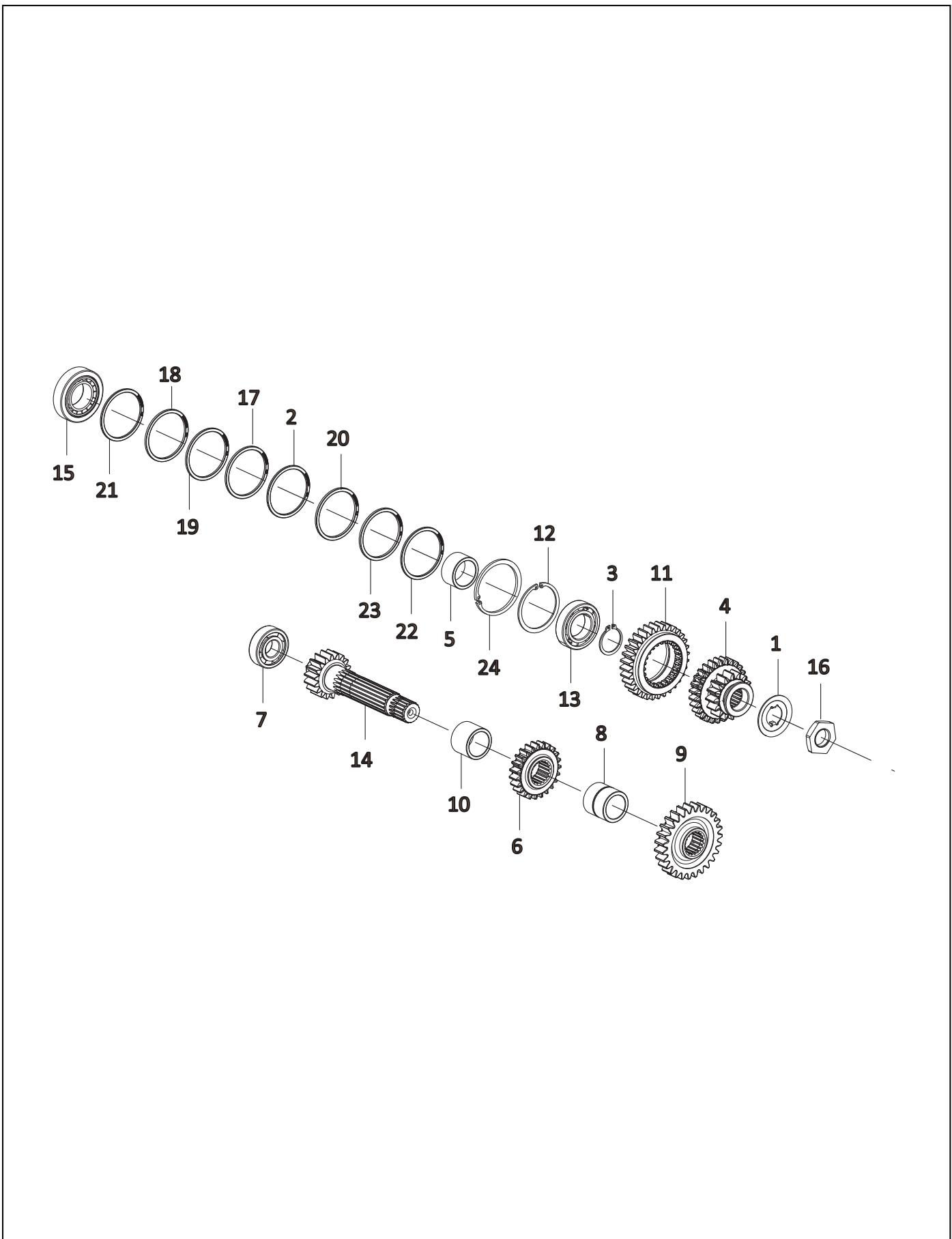


TABLE-32
DRIVE TRAIN RANGE GEAR ASSEMBLY

| Fig. No. | Part No. | Description | Qty |
|----------|---------------|---|-----|
| 1 | D10547280.9 | WASHER TAB LOCK | 1 |
| 2 | D10562420.9 | SPACER GRADED PINION SHAFT (2.5 MM) | 1 |
| 3 | D90000080.9 | CIRCLIP A30X1.5 N | 1 |
| 4 | D10535000AC.9 | GEAR DRIVEN HIGH-MEDIUM RANGE Z-16/27 | 1 |
| 5 | D10541780.9 | SPACER TAIL PINION SHAFT | 1 |
| 6 | D10534990AB.9 | GEAR DRIVING MEDIUM RANGE Z-23 | 1 |
| 7 | D10541500.9 | BEARING ROLLER NJ 204 | 1 |
| 8 | D10541760AB.9 | SPACER RANGE DRIVING HIGH GEAR | 1 |
| 9 | D10534980.9 | GEAR DRIVING HIGH RANGE Z-27 | 1 |
| 10 | D10541770AC.9 | SPACER RANGE DRIVING LOW GEAR | 1 |
| 11 | D10580560.9 | GEAR DRIVEN LOW RANGE Z-32 | 1 |
| 12 | D90500140.9 | CIRCLIP B55X2 N INTERNAL (IS3075 PART-II) | 1 |
| 13 | D10541450.9 | BEARING BALL 6006 | 1 |
| 14 | D10580550.9 | SHAFT RANGE DRIVING Z-18 | 1 |
| 15 | D10052860.9 | BEARING TAPPER ROLLER 30206 | 1 |
| 16 | D83501010.9 | NUT M22X1.5 HEX HEAD (THICKNESS 8.0MM) | 1 |
| 17 | D10562460.9 | SPACER GRADED PINION SHAFT (2.9 MM) | 1 |
| 18 | D10562470.9 | SPACER GRADED PINION SHAFT (3.0 MM) | 1 |
| 19 | D10562450.9 | SPACER GRADED PINION SHAFT (2.8 MM) | 1 |
| 20 | D10562480.9 | SPACER GRADED PINION SHAFT (3.1 MM) | 1 |
| 21 | D10562430.9 | SPACER GRADED PINION SHAFT (2.6 MM) | 1 |
| 22 | D10562440.9 | SPACER GRADED PINION SHAFT (2.7 MM) | 1 |
| 23 | D10562490.9 | SPACER GRADED PINION SHAFT (3.2 MM) | 1 |
| 24 | D90500320.9 | CIRCLIP B62X3.0 H | 1 |

TABLE-33
RANGE GEAR SHIFTING ASSEMBLY (COMPACT)

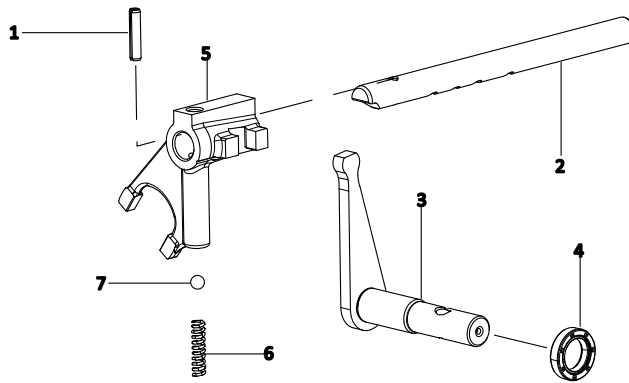


TABLE-33
RANGE GEAR SHIFTING ASSEMBLY (COMPACT)

| Fig. No. | Part No. | Description | Qty |
|----------|---------------|---|-----|
| 1 | D87500700.9 | PIN 6X30 SPRING DOWEL COMBINATION TYPE | 1 |
| 2 | D10535070.9 | RAIL RANGE SHIFTING | 1 |
| 3 | D10535080.9 | SHAFT AND LEVER ASSEMBLY RANGE SHIFTING | 1 |
| 4 | D10152510.9 | SEAL OIL 20.0X30.0X7.0 | 1 |
| 5 | D10535060AC.9 | FORK RANGE SHIFTING | 1 |
| 6 | D10547290AD.9 | SPRING RANGE GEAR SHIFT | 1 |
| 7 | D10006740.9 | BALL 5/16" SNAP LOCK | 1 |

TABLE-34
HARDWARE BUCKLE UP TRANSMISSION AND REAR AXLE SUBASSEMBLY

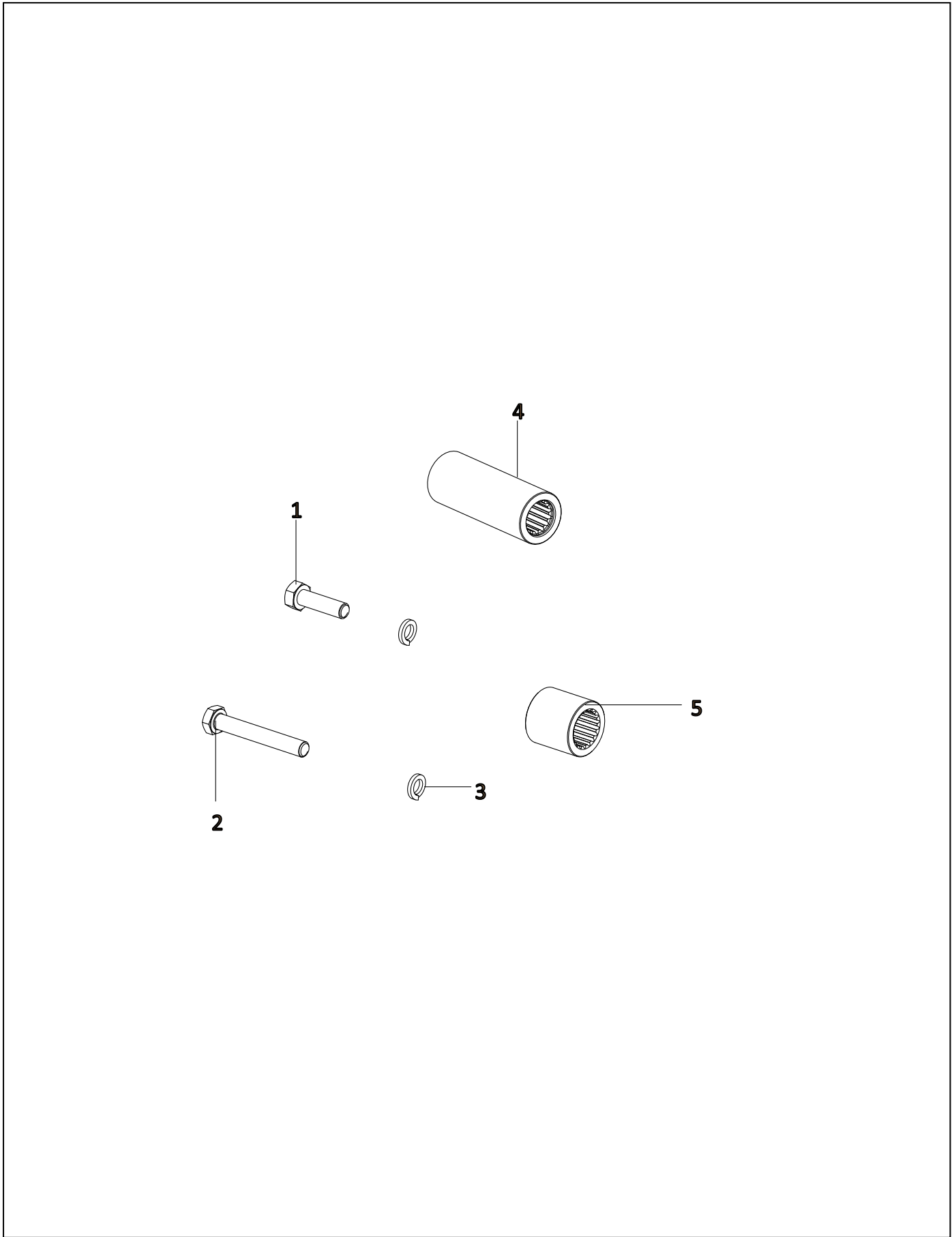


TABLE-34
HARDWARE BUCKLE UP TRANSMISSION AND REAR AXLE SUBASSEMBLY

| Fig. No. | Part No. | Description | Qty |
|----------|-------------|---|-----|
| 1 | D81503870.9 | BOLT M10X1.50X35-10.9 HEX HEAD (16 A/F) | 8 |
| 2 | D81503420.9 | BOLT M10X1.50X70-10.9 HEX HEAD | 2 |
| 3 | D86500090.9 | WASHER M10 SPRING LOCK | 10 |
| 4 | D10668700.9 | COUPLING PTO INPUT SHAFT | 1 |
| 5 | D10547270.9 | COUPLING COUNTERSHAFT SPEED AND RANGE | 1 |

TABLE-35
COUPLING ASSEMBLY ELECTRO-HST

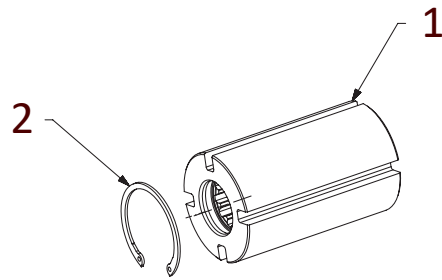


TABLE-35
COUPLING ASSEMBLY ELECTRO-HST

| Fig. No. | Part No. | Description | Qty |
|----------|---------------|-----------------------------|-----|
| 1 | D11388090AA.9 | COUPLING INPUT ELECTRIC HST | 1 |
| 2 | D90500420.9 | CIRCLIP B17X1.0 N | 1 |

TABLE-36
DRESSED UP COMPONENTS TRANSMISSION SUBASSEMBLY (HST)

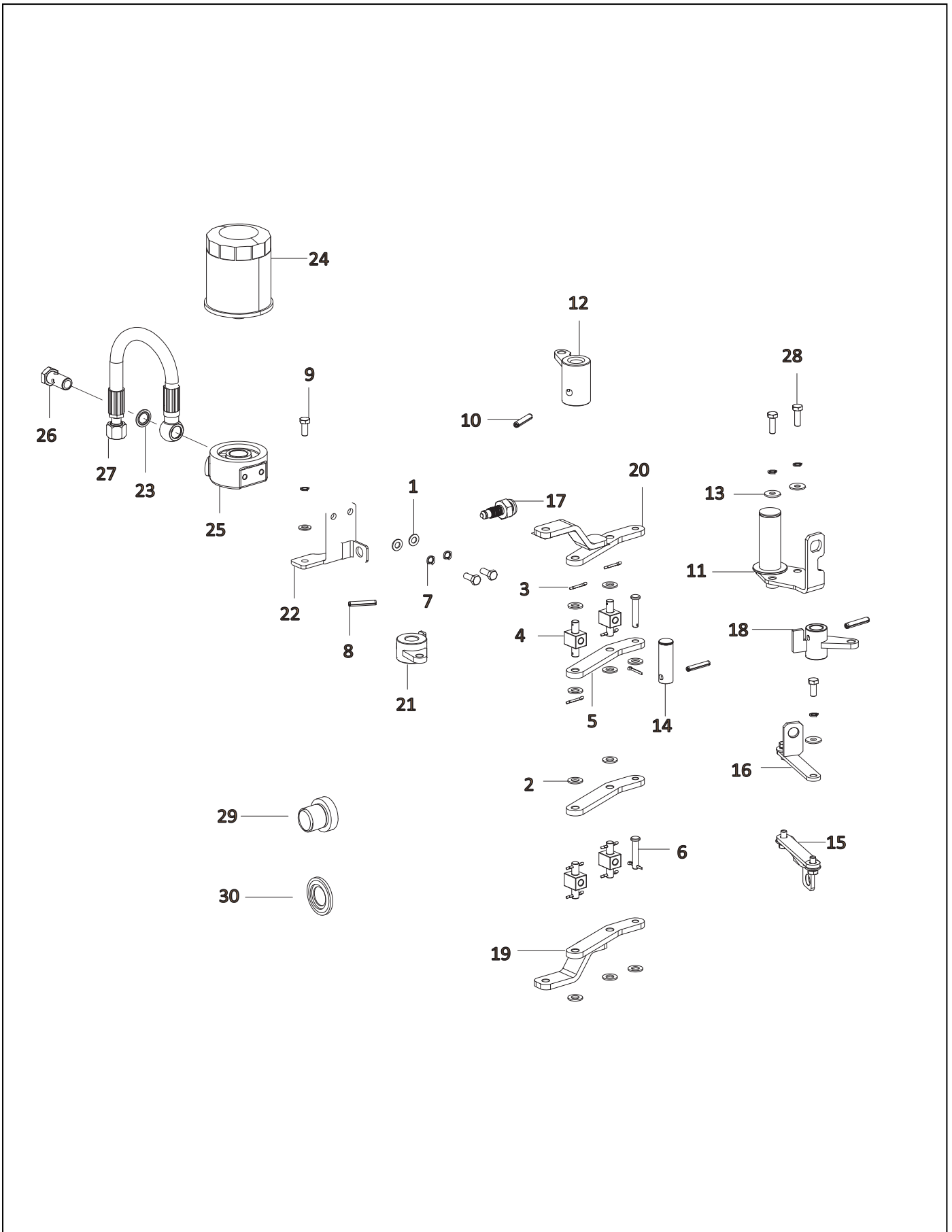


TABLE-36
DRESSED UP COMPONENTS TRANSMISSION SUBASSEMBLY (HST)

| Fig. No. | Part No. | Description | Qty |
|----------|---------------|---|-----|
| 1 | D85500050.9 | WASHER M8 FLAT | 4 |
| 2 | D85500140.9 | WASHER M10 FLAT | 10 |
| 3 | D10013460.9 | PIN 1/8"X0.75" COTTER | 10 |
| 4 | D10552400.9 | BLOCK SWIVEL BRAKE PEDAL REAR | 4 |
| 5 | D10552410.9 | LEVER BRAKE PEDAL REAR | 2 |
| 6 | D93400450.9 | PIN 10X45 CLEVIS | 2 |
| 7 | D86500030AC.9 | WASHER M8 SPRING LOCK | 10 |
| 8 | D87000160.9 | PIN 1/4"X1.50" SPRING DOWEL COMBINATION TYPE | 2 |
| 9 | D82500040.9 | SCREW M8X1.25X20-8.8 HEX HEAD | 8 |
| 10 | D87500330.9 | PIN 8X40 SPRING DOWEL COMBINATION TYPE | 2 |
| 11 | D11465640AA.9 | BRACKET ASSEMBLY HIGH LOW MEDIUM AND PTO LEVER HOLDING | 1 |
| 12 | D10552770.9 | LEVER AND HUB ASSEMBLY GEAR SHIFTING TRANSMISSION (HIGH LOW MEDIUM) | 1 |
| 13 | D10009600.9 | WASHER 8.5X22 FLAT PHOSPHATED | 6 |
| 14 | D10552680.9 | PIN LEVER 2WD 4WD ASSEMBLY | 1 |
| 15 | D10609600AB.9 | BRACKET MID PTO GEAR SHIFT SWITCH HOLDING ASSEMBLY | 1 |
| 16 | D10614830.9 | BRACKET PTO SWITCH HOLDING | 1 |
| 17 | D10498400AB.9 | SWITCH ASSEMBLY STOP LAMP | 1 |
| 18 | D10556870.9 | LEVER AND HUB ASSEMBLY GEAR SHIFTING TRANSMISSION (PTO) | 1 |
| 19 | D10604790.9 | LEVER ASSEMBLY BRAKE PEDAL REAR RH | 1 |
| 20 | D10604770.9 | LEVER ASSEMBLY BRAKE PEDAL REAR LH | 1 |
| 21 | D11341900AA.9 | LEVER AND HUB ASSEMBLY GEAR SHIFTING TRANSMISSION (2WD 4WD) | 1 |
| 22 | D11342150AB.9 | BRACKET ASSEMBLY FUEL FILTER 2WD SENSOR | 1 |
| 23 | D10174950AD.9 | SEAL BANJO BOLT DISTRIBUTOR TO CYLINDER TUBE | 2 |
| 24 | D10796180.9 | FILTER AND ADAPTOR ASSEMBLY HST OIL INTAKE | 1 |
| 25 | D11355460AB.9 | ADOPTER HYDRAULIC FILTER MOUNTING | 1 |
| 26 | D10174960AD.9 | BOLT BANJO M18X1.50 | 1 |
| 27 | D11368890AA.9 | HOSE ASSEMBLY FILTER TO HST UNIT | 1 |
| 28 | D82500080.9 | SCREW M8X1.25X25-8.8 HEX HEAD | 2 |
| 29 | D10718960.9 | PLUG M12X1 HEX SOCKET HEAD | 1 |
| 30 | D10519740.9 | WASHER BONDED SEAL 12.7X19X1.5 | 1 |

TABLE-37
GUARD PROPELLER SHAFT SUBASSEMBLY

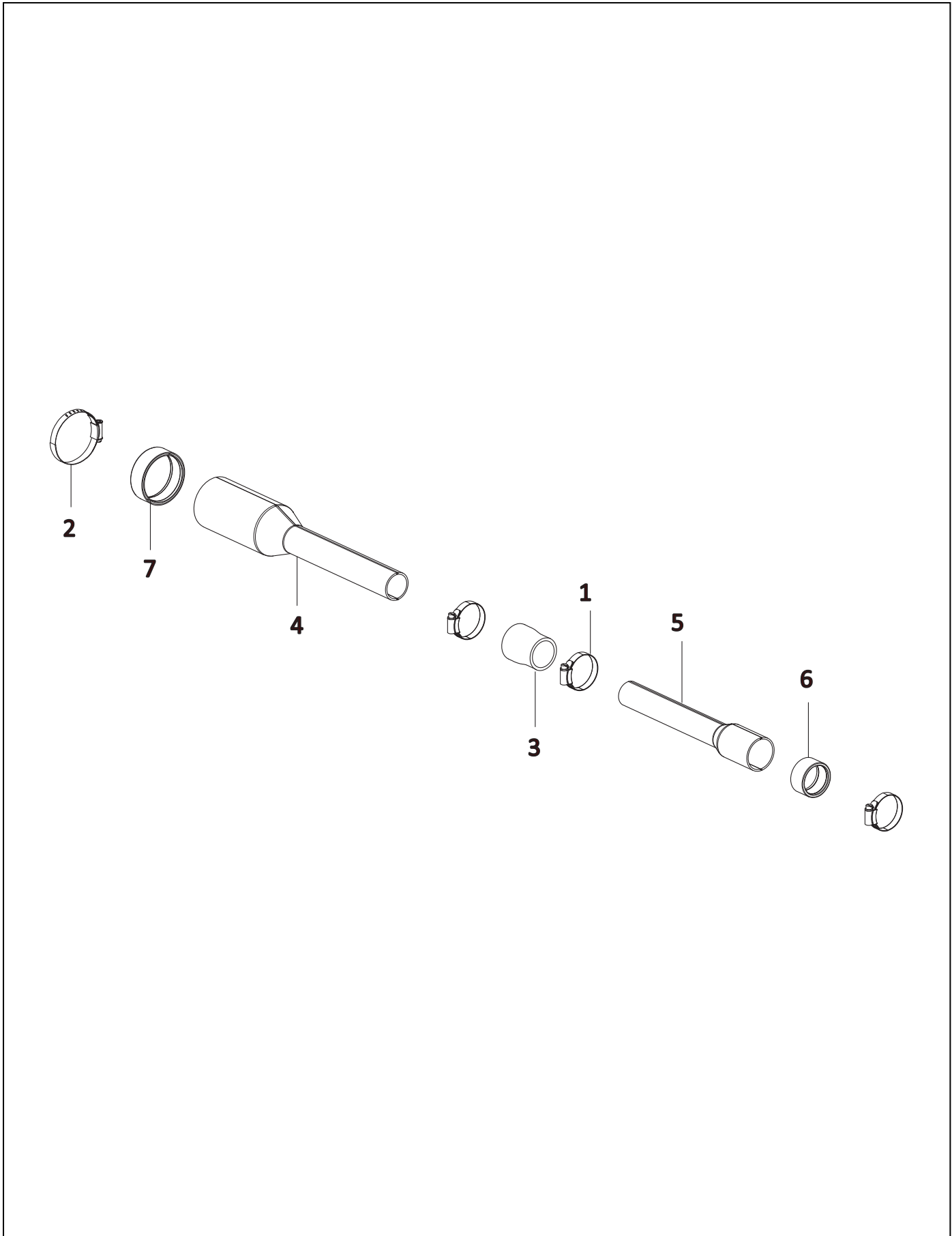


TABLE-37
GUARD PROPELLER SHAFT SUBASSEMBLY

| Fig. No. | Part No. | Description | Qty |
|----------|---------------|--------------------------------------|-----|
| 1 | D10017170.9 | CLAMP ASSEMBLY 70MM DIAMETER | 3 |
| 2 | D10046730.9 | CLAMP ASSEMBLY INTAKE MANIFOLD FT80 | 1 |
| 3 | D10656670.9 | HOSE GUARD ASSEMBLY PROPELLER SHAFT | 1 |
| 4 | D10561500.9 | GUARD ASSEMBLY PROPELLER SHAFT FRONT | 1 |
| 5 | D10615800.9 | GUARD ASSEMBLY PROPELLER SHAFT REAR | 1 |
| 6 | D10847660AB.9 | SLEEVE GUARD PROPELLER SHAFT FRONT | 1 |
| 7 | D10847670.9 | SLEEVE GUARD PROPELLER SHAFT REAR | 1 |

TABLE-38
SHAFT PROPELLER AND COUPLING ASSEMBLY (4WD COMPACT ELECTRO-HST)

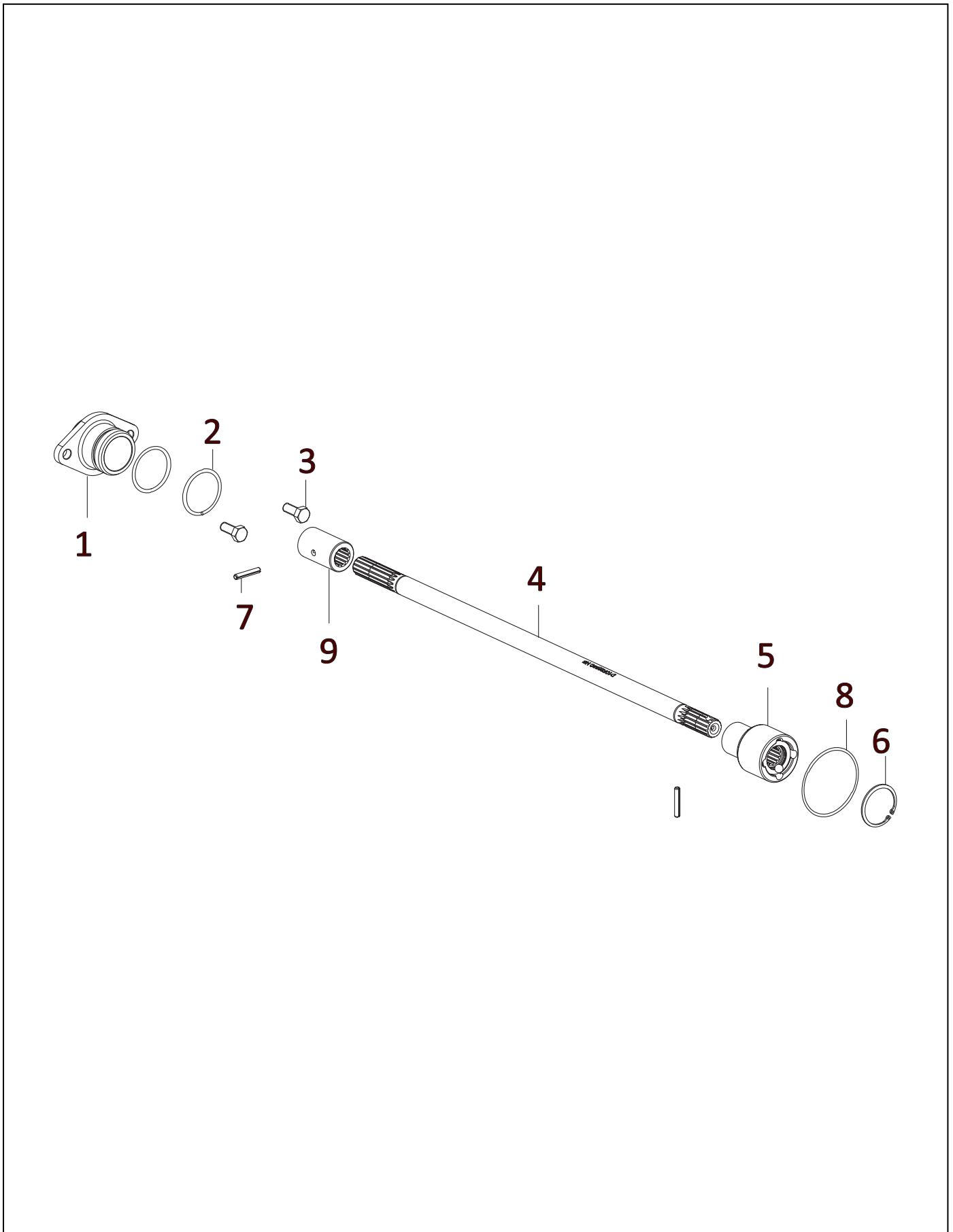


TABLE-38
SHAFT PROPELLER AND COUPLING ASSEMBLY (4WD COMPACT ELECTRO-HST)

| Fig. No. | Part No. | Description | Qty |
|----------|-------------|-----------------------------------|-----|
| 1 | D10773890.9 | RETAINER PROPELLER SHAFT | 1 |
| 2 | D93601260.9 | SEAL O RING 0.139"X1.859" | 1 |
| 3 | D81502150.9 | BOLT M10X1.50X25-10.9 HEX HEAD | 2 |
| 4 | D10599880.9 | SHAFT PROPELLER (4WD HST) | 1 |
| 5 | D10554580.9 | COUPLING ASSEMBLY PROPELLER SHAFT | 1 |
| 6 | D90500100.9 | CIRCLIP B40X1.75 N | 1 |
| 7 | D87500510.9 | PIN 6.0X35.0 SPRING DOWEL | 2 |
| 8 | D93601070.9 | SEAL O RING 2.62X75.87 | 1 |
| 9 | D10548310.9 | COUPLING PROPELLER SHAFT (4WD) | 1 |

TABLE-39
LEVER PTO GEAR SHIFT SUBASSEMBLY

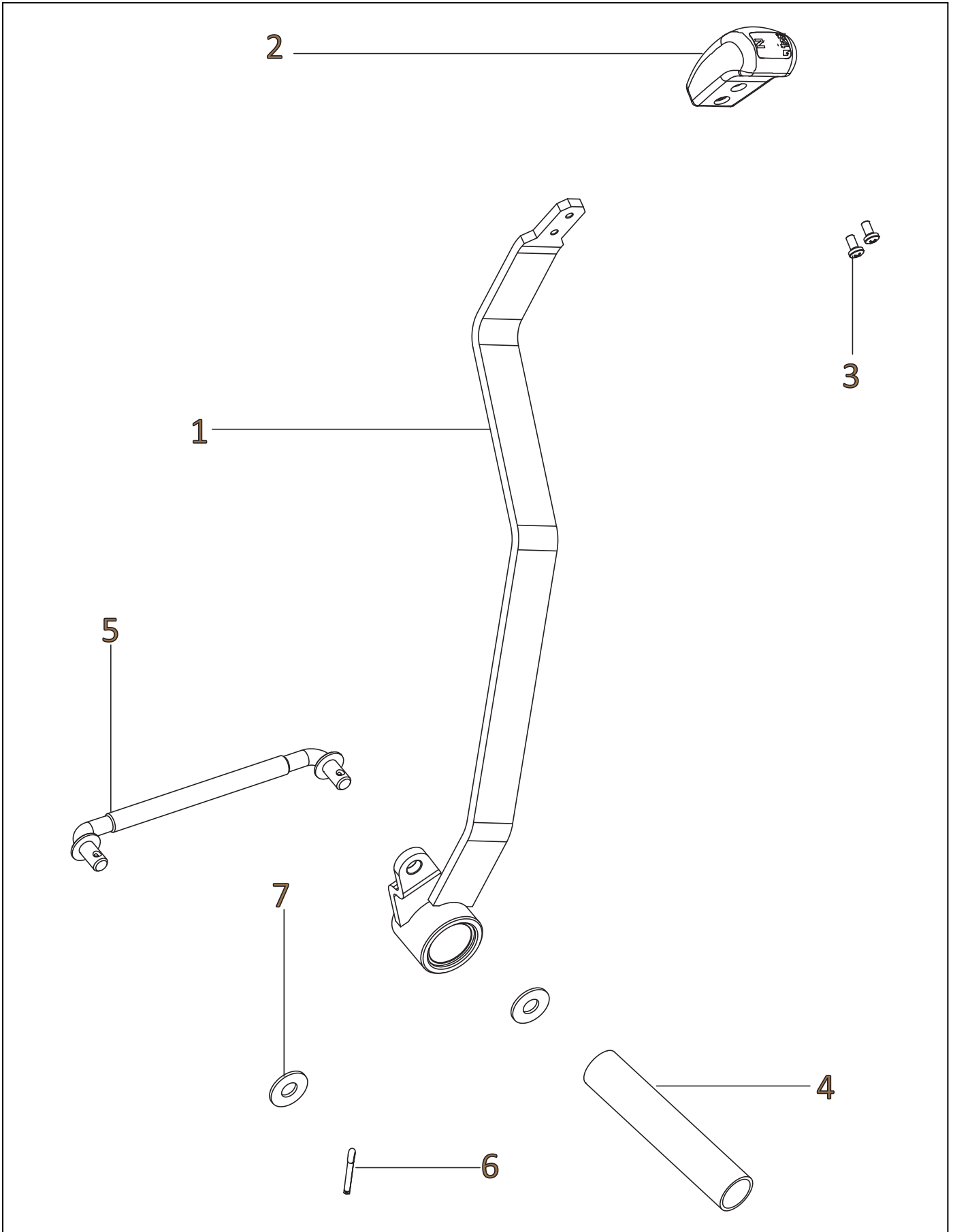


TABLE-39
LEVER PTO GEAR SHIFT SUBASSEMBLY

| Fig. No. | Part No. | Description | Qty |
|-----------------|-----------------|--|------------|
| 1 | D11589810AA.9 | LEVER AND HUB PTO GEAR SHIFT ASSEMBLY | 1 |
| 2 | D10609260.9 | KNOB ASSEMBLY LEVER PTO GEAR SHIFT | 1 |
| 3 | D82501160.9 | SCREW M5X0.80X10 CROSS RECESSED PAN HEAD | 2 |
| 4 | D10817510.9 | SLEEVE LEVER HAND OPERATED (PVC) | 1 |
| 5 | D10663640.9 | LINKAGE ASSEMBLY ROD PTO GEAR SHIFT | 1 |
| 6 | D88400070.9 | PIN 4.0X25.0 COTTER | 2 |
| 7 | D85500690.9 | WASHER M10X26 FLAT | 2 |

TABLE-40
LEVER CONTROL 2WD 4WD SUBASSEMBLY

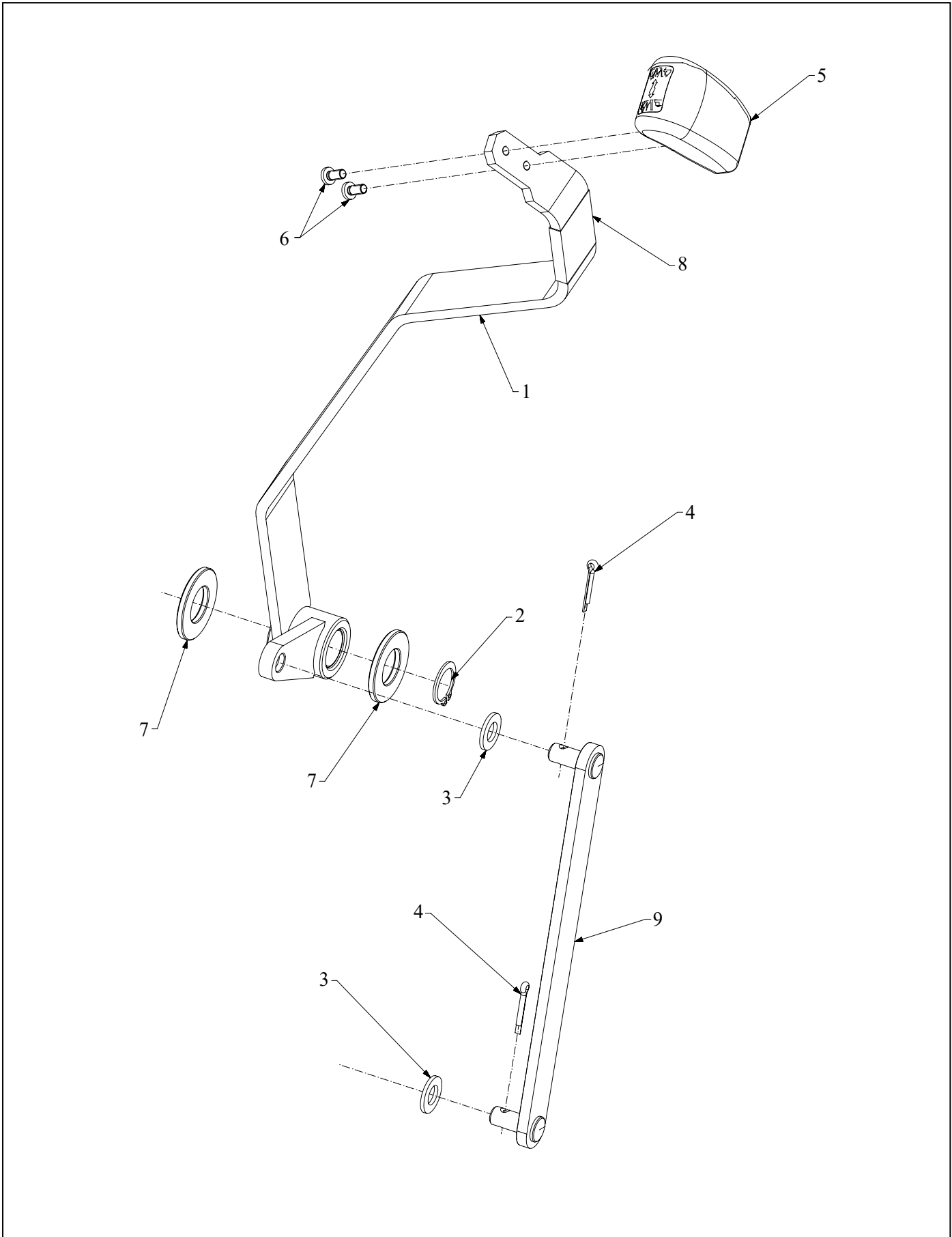


TABLE-40
LEVER CONTROL 2WD 4WD SUBASSEMBLY

| Fig. No. | Part No. | Description | Qty |
|----------|---------------|--|-----|
| 1 | D10552610.9 | LEVER AND HUB ASSEMBLY 2WD 4WD | 1 |
| 2 | D90000620.9 | CIRCLIP A20X1.2 N | 1 |
| 3 | D85500140.9 | WASHER M10 FLAT | 2 |
| 4 | D10013460.9 | PIN 1/8"X0.75" COTTER | 2 |
| 5 | D10552710.9 | KNOB ASSEMBLY LEVER 2WD 4WD | 1 |
| 6 | D82501160.9 | SCREW M5X0.80X10 CROSS RECESSED PAN HEAD | 2 |
| 7 | D85500720.9 | WASHER 40X20X3.5 THRUST | 2 |
| 8 | D10817510.9 | SLEEVE LEVER HAND OPERATED (PVC) | 1 |
| 9 | D10739060AB.9 | LINKAGE ASSEMBLY 2WD 4WD | 1 |

TABLE-41
LEVER POSITION CONTROL SUBASSEMBLY

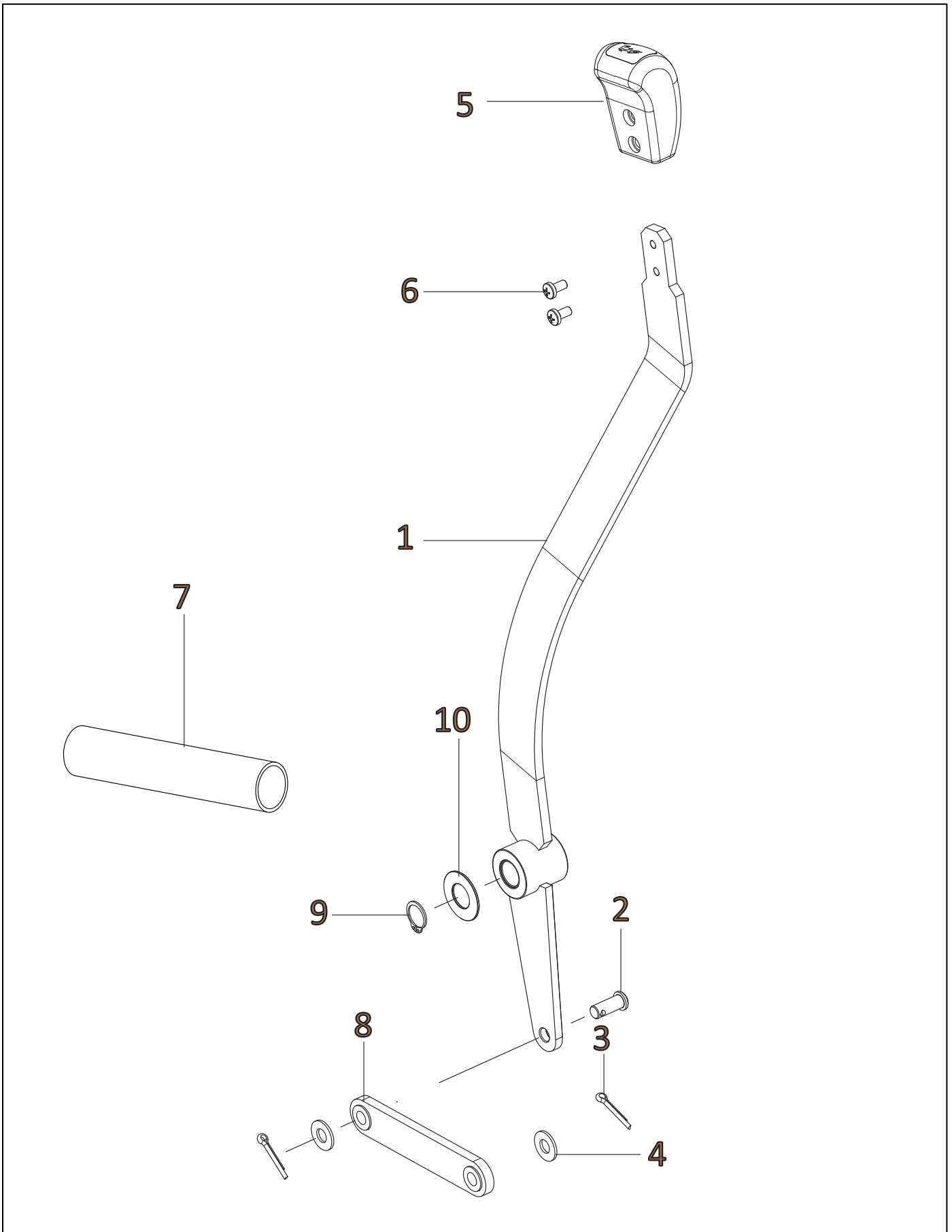


TABLE-41
LEVER POSITION CONTROL SUBASSEMBLY

| Fig. No. | Part No. | Description | Qty |
|----------|---------------|--|-----|
| 1 | D10855800.9 | LEVER AND HUB DRAFT CONTROL ASSEMBLY | 1 |
| 2 | D93400020.9 | PIN 5/16"X.76" CLEVIS | 1 |
| 3 | D10013460.9 | PIN 1/8"X0.75" COTTER | 2 |
| 4 | D10006010.9 | WASHER 8.5X18 FRICTION | 2 |
| 5 | D10583360.9 | KNOB ASSEMBLY LEVER POSITION CONTROL | 1 |
| 6 | D82501160.9 | SCREW M5X0.80X10 CROSS RECESSED PAN HEAD | 2 |
| 7 | D10817510.9 | SLEEVE LEVER HAND OPERATED (PVC) | 1 |
| 8 | D10855820AB.9 | LINK ASSEMBLY DRAFT CONTROL | 1 |
| 9 | D90000180.9 | CIRCLIP A15X0.90 SB | 1 |
| 10 | D85500730.9 | WASHER 30X15X1.2 THRUST | 1 |

TABLE-42
LEVER RANGE HIGH LOW MEDIUM GEAR SHIFT SUBASSEMBLY

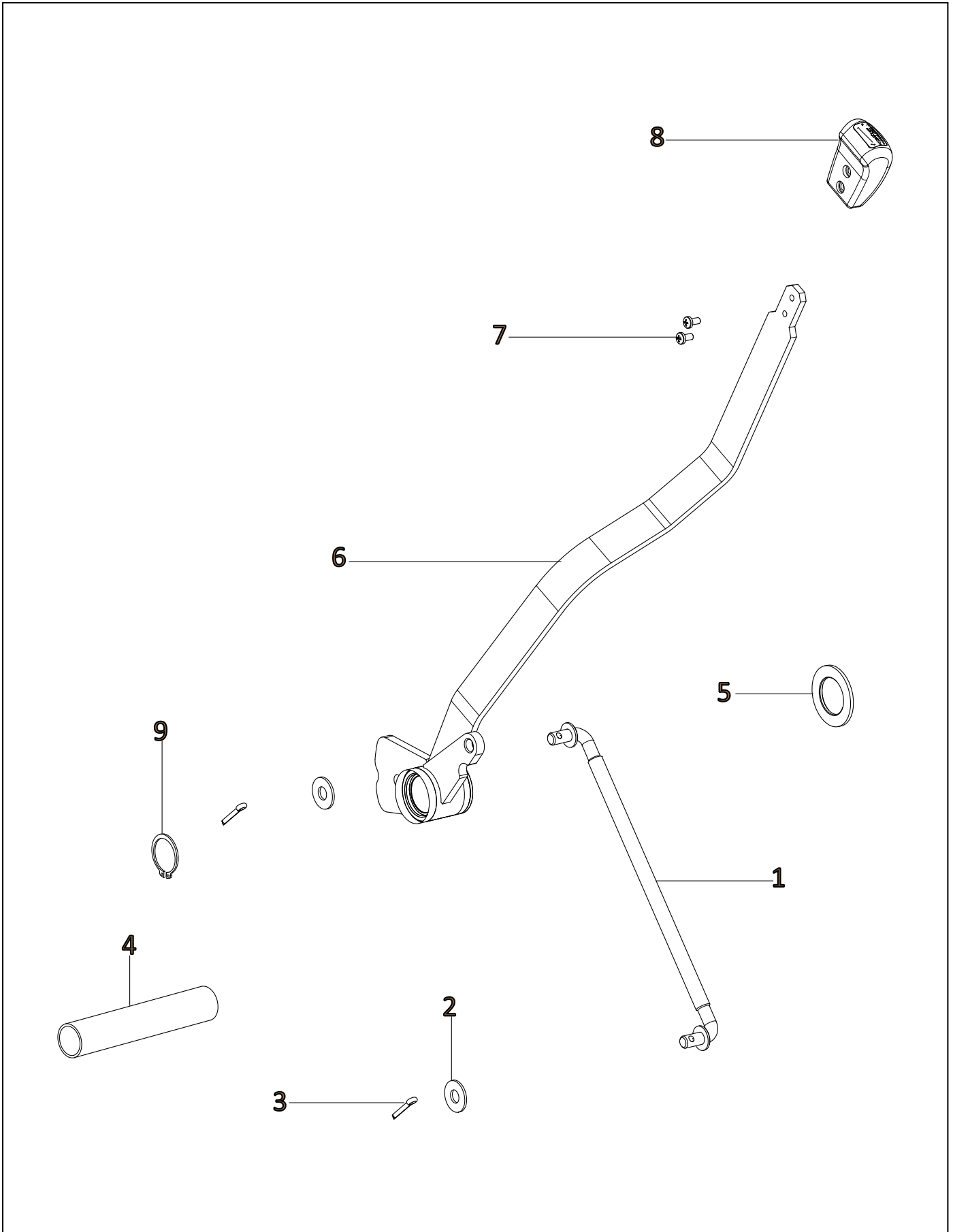


TABLE-42
LEVER RANGE HIGH LOW MEDIUM GEAR SHIFT SUBASSEMBLY

| Fig. No. | Part No. | Description | Qty |
|----------|---------------|---|-----|
| 1 | D10663660AD.9 | LINKAGE ASSEMBLY ROD PTO GEAR SHIFT | 1 |
| 2 | D85500690.9 | WASHER M10X26 FLAT | 2 |
| 3 | D88400070.9 | PIN 4.0X25.0 COTTER | 2 |
| 4 | D10817510.9 | SLEEVE LEVER HAND OPERATED (PVC) | 1 |
| 5 | D10014630.9 | WASHER NYLON 30.5X50 BRAKE SHAFT THRUST | 1 |
| 6 | D11465670AC.9 | LEVER AND HUB RANGE HIGH LOW MEDIUM GEAR SHIFT ASSEMBLY | 1 |
| 7 | D82501160.9 | SCREW M5X0.80X10 CROSS RECESSED PAN HEAD | 2 |
| 8 | D10583370.9 | KNOB ASSEMBLY LEVER RANGE HIGH LOW MEDIUM GEAR SHIFT | 1 |
| 9 | D90000080.9 | CIRCLIP A30X1.5 N | 1 |

TABLE-43
LEVER MID PTO GEAR SHIFT SUBASSEMBLY

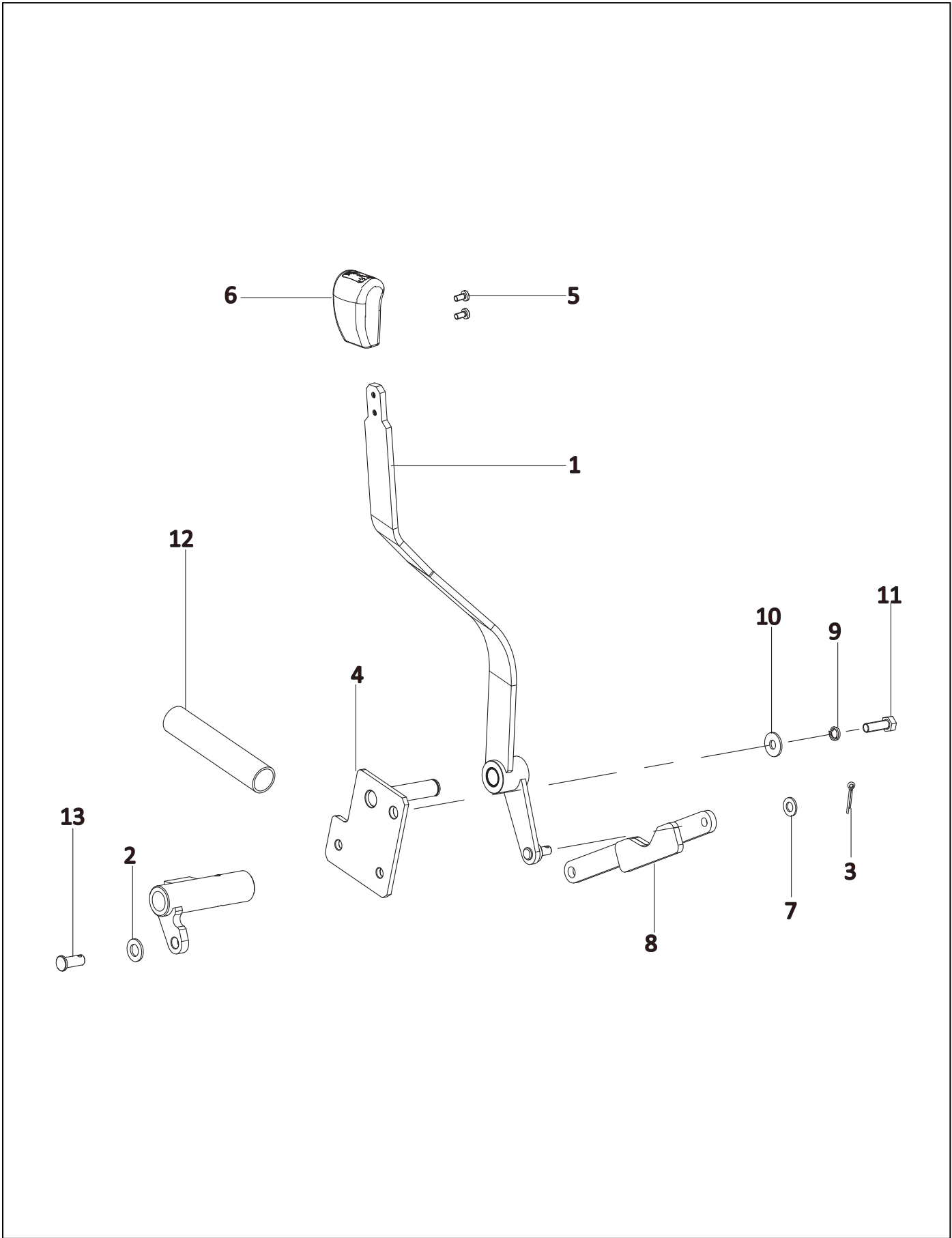


TABLE-43
LEVER MID PTO GEAR SHIFT SUBASSEMBLY

| Fig. No. | Part No. | Description | Qty |
|----------|---------------|---|-----|
| 1 | D11544080AA.9 | LEVER MID PTO GEAR SHIFT SUBASSEMBLY HST NEW LIFT | 1 |
| 2 | D85500140.9 | WASHER M10 FLAT | 1 |
| 3 | D10013460.9 | PIN 1/8"X0.75" COTTER | 2 |
| 4 | D10855770.9 | LEVER HOLDING BRACKET POSITION AND DRAFT CONTROL ASSEMBLY | 1 |
| 5 | D82501160.9 | SCREW M5X0.80X10 CROSS RECESSED PAN HEAD | 2 |
| 6 | D10609240.9 | KNOB ASSEMBLY LEVER MID PTO GEAR SHIFT | 1 |
| 7 | D85500050.9 | WASHER M8 FLAT | 1 |
| 8 | D11545180AA.9 | LINK CONNECTING ACTUATING LEVER MID PTO GEAR SHIFT | 1 |
| 9 | D86500030AC.9 | WASHER M8 SPRING LOCK | 3 |
| 10 | D10009600.9 | WASHER 8.5X22 FLAT PHOSPHATED | 3 |
| 11 | D81500590.9 | BOLT M8X1.25X25-6.6 HEX HEAD | 3 |
| 12 | D10817510.9 | SLEEVE LEVER HAND OPERATED (PVC) | 1 |
| 13 | D87500600.9 | PIN 10X15 CLEVIS | 1 |

TABLE-44
LINKAGE ASSEMBLY DIFFERENTIAL LOCK CONTROL

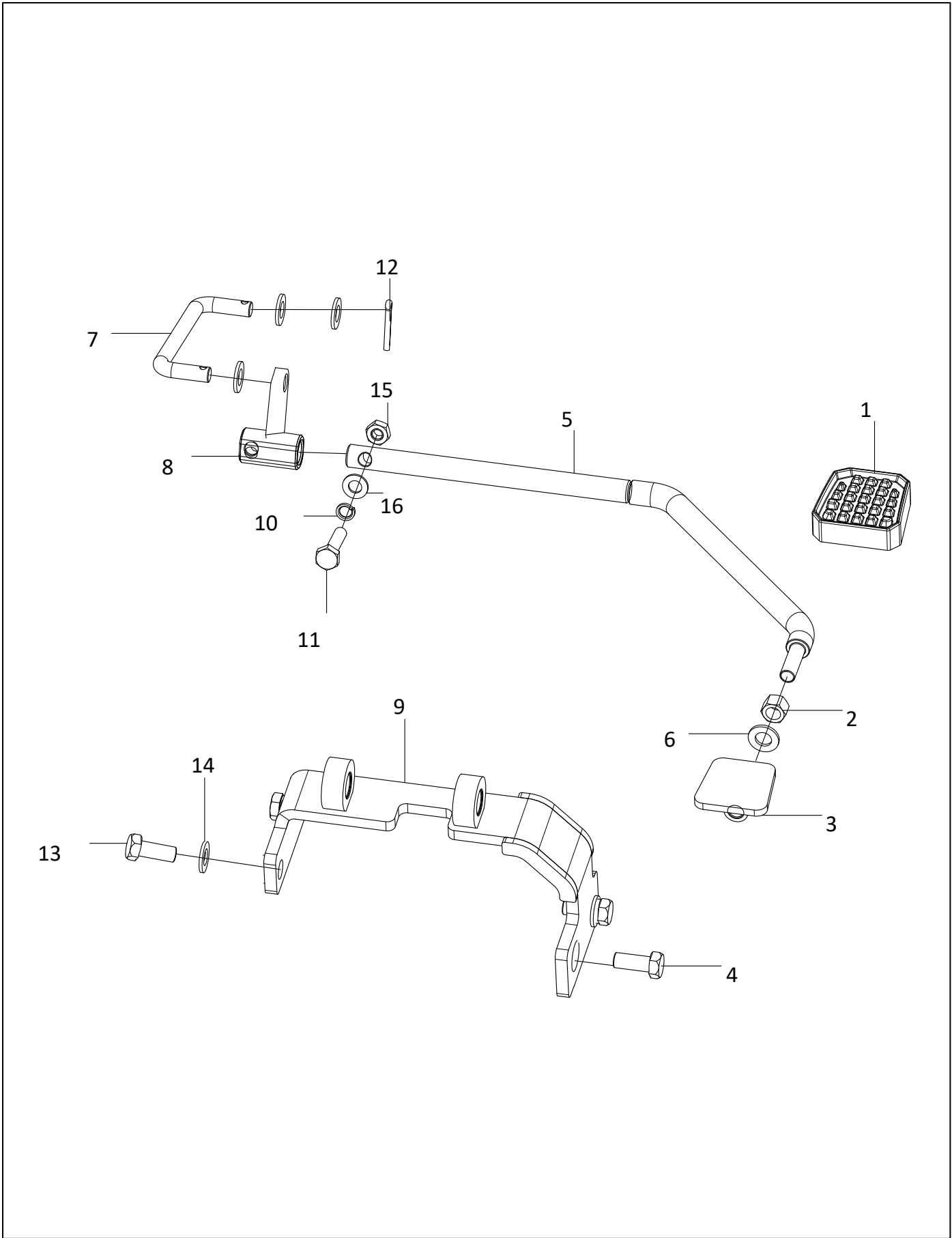


TABLE-44
LINKAGE ASSEMBLY DIFFERENTIAL LOCK CONTROL

| Fig. No. | Part No. | Description | Qty |
|----------|---------------|---|-----|
| 1 | D10555660.9 | COVER RUBBER FOOT THROTTLE PEDAL | 1 |
| 2 | D83500210.9 | NUT M10X1.50-5 HEX | 1 |
| 3 | D10609630.9 | PEDAL TOP ASSEMBLY DIFFERENTIAL LOCK | 1 |
| 4 | D81502150.9 | BOLT M10X1.50X25-10.9 HEX HEAD | 2 |
| 5 | D10603280.9 | PEDAL ASSEMBLY DIFFERENTIAL LOCK | 1 |
| 6 | D85500140.9 | WASHER M10 FLAT | 7 |
| 7 | D10740930.9 | ROD TIE ASSEMBLY DIFFERENTIAL LOCK | 1 |
| 8 | D10603400.9 | LEVER ASSEMBLY DIFFERENTIAL LOCK | 1 |
| 9 | D10736390.9 | BRACKET ASSEMBLY DIFFERENTIAL LOCK PEDAL MOUNTING | 1 |
| 10 | D86500030AC.9 | WASHER M8 SPRING LOCK | 1 |
| 11 | D81500030.9 | BOLT M8X1.25X35-6.6 HEX HEAD | 1 |
| 12 | D88400040.9 | PIN 3.2X25.0 COTTER | 2 |
| 13 | D81500060.9 | BOLT M10X1.50X30-8.8 HEX HEAD | 2 |
| 14 | D86500090.9 | WASHER M10 SPRING LOCK | 4 |
| 15 | D83500110.9 | NUT M8X1.25-8 HEX | 1 |
| 16 | D85500050.9 | WASHER M8 FLAT | 1 |

TABLE-45
PEDAL SPEED CONTROL AND CRUISE CONTROL SUBASSEMBLY

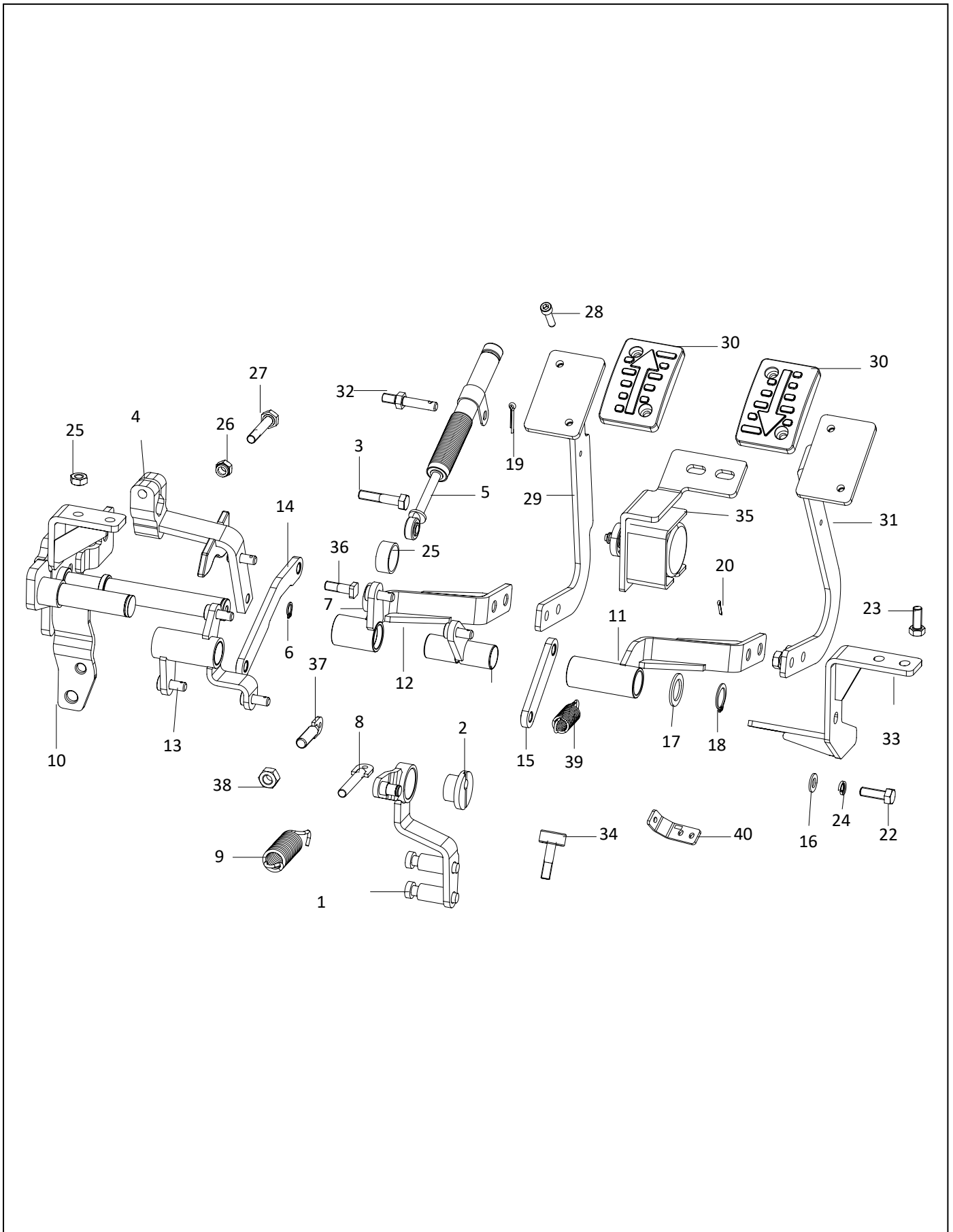


TABLE-45
PEDAL SPEED CONTROL AND CRUISE CONTROL SUBASSEMBLY

| Fig. No. | Part No. | Description | Qty |
|----------|---------------|---|-----|
| 1 | D11357490AB.9 | ARM NEUTRAL HOLD ASSEMBLY | 1 |
| 2 | D10873220AB.9 | PIN NEUTRAL ASSEMBLY | 1 |
| 3 | D81503440.9 | BOLT M8X1.25X40-10.9 HEX HEAD | 1 |
| 4 | D11350940AB.9 | PIN AND LEVER ASSEMBLY CROSS SHAFT HST | 1 |
| 5 | D10607950.9 | DAMPER ASSEMBLY SPEED CONTROL | 1 |
| 6 | D90500350.9 | CIRCLIP A10X1.0 N | 1 |
| 7 | D10607850.9 | BEARING SPEED CONTROL | 1 |
| 8 | D10873240.9 | PLATE AND SPRING TENSION ASSEMBLY NEUTRAL SETTING | 1 |
| 9 | D10012250.9 | SPRING BRAKE PEDAL RETURN | 1 |
| 10 | D11345390AC.9 | BRACKET ASSEMBLY HUB SPEED PEDAL CONTROL MOUNTING | 1 |
| 11 | D11346650AC.9 | HUB AND LEVER ASSEMBLY REVERSE PEDAL CONTROL | 1 |
| 12 | D11351370AB.9 | HUB AND LEVER ASSEMBLY FORWARD PEDAL CONTROL | 1 |
| 13 | D11357840AA.9 | HUB AND LEVER ASSEMBLY PEDAL CONTROL | 1 |
| 14 | D11354780AA.9 | LINK CONNECTING NEUTRAL SETTING ASSEMBLY | 1 |
| 15 | D11357870AA.9 | LINK REVERSE PEDAL SPEED CONTROL | 2 |
| 16 | D85500050.9 | WASHER M8 FLAT | 18 |
| 17 | D85500650.9 | WASHER 30X20X2.0 THRUST | 6 |
| 18 | D90000620.9 | CIRCLIP A20X1.2 N | 2 |
| 19 | D10013460.9 | PIN 1/8"X0.75" COTTER | 1 |
| 20 | D88400200.9 | PIN 2.0X12.0 COTTER | 6 |
| 21 | D10874080AB.9 | RUBBER SEALING NEUTRAL HOLD (M/S TRELLEBORG) | 1 |
| 22 | D81501470.9 | BOLT M8X1.25X25-10.9 HEX HEAD | 6 |
| 23 | D81500110.9 | BOLT M8X1.25X20-8.8 HEX HEAD | 4 |
| 24 | D86500030AC.9 | WASHER M8 SPRING LOCK | 10 |
| 25 | D83500060.9 | NUT M8X1.25-6 HEX | 8 |
| 26 | D83500160.9 | NUT M8X1.25 NYLOCK HEX | 1 |
| 27 | D81500190.9 | BOLT M8X1.25X45-8.8P HEX HEAD | 1 |
| 28 | D81503950.9 | BOLT M6X1.0X25-8.8 ALLEN | 4 |
| 29 | D11358120AC.9 | PEDAL ASSEMBLY FORWARD SPEED CONTROL | 1 |
| 30 | D10757650.9 | PAD FRICTION PEDAL SPEED CONTROL | 2 |
| 31 | D11358150AB.9 | PEDAL ASSEMBLY REVERSE SPEED CONTROL | 1 |
| 32 | D11335690AB.9 | PIN DAMPER MOUNTING | 1 |
| 33 | D11337170AA.9 | BRACKET RUNNING BOARD SHAFT MOUNTING | 1 |
| 34 | D10493580.9 | PAD BRAKE AND CLUTCH PEDAL STOP | 2 |
| 35 | D11339570AB.9 | FRAME ASSEMBLY SOLENOID MOUNTING | 1 |
| 36 | D11792700AA.9 | PIN THROTTLE DAMPER | 1 |
| 37 | D11792560AA.9 | PLATE AND PIN ASSEMBLY NEUTRAL POSITION | 1 |
| 38 | D83500090.9 | NUT M10X1.50-8 HEX | 2 |
| 39 | D10607860.9 | SPRING RETURN SPEED CONTROL LEVER UPPER | 1 |
| 40 | D12109610AA.9 | BRACKET RUNNING BOARD SHAFT MOUNTING | 1 |

TABLE-46
BRAKE LINKAGE SUBASSEMBLY

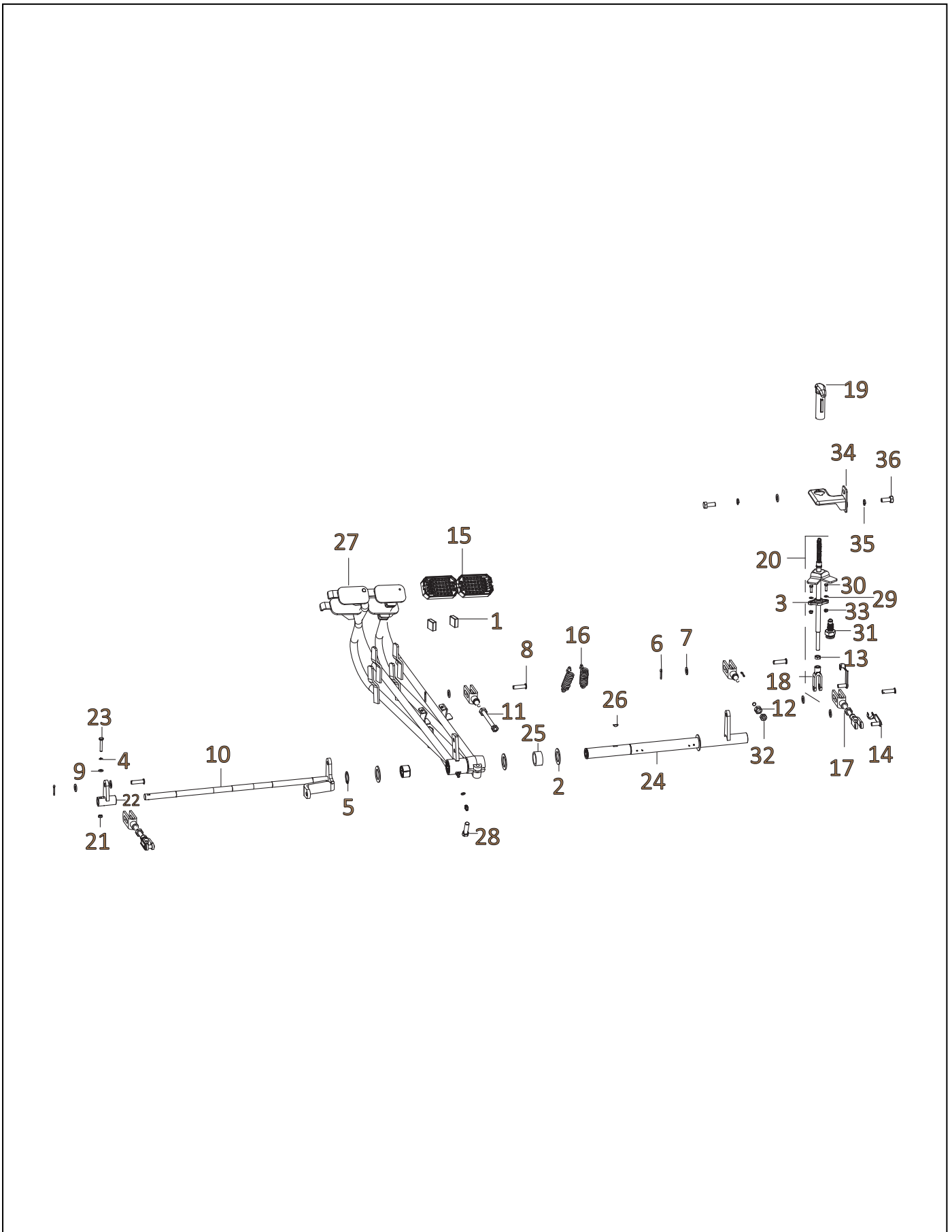


TABLE-46
BRAKE LINKAGE SUBASSEMBLY

| Fig. No. | Part No. | Description | Qty |
|----------|---------------|---|-----|
| 1 | D10552230.9 | COVER RUBBER RETURN STOPPER | 2 |
| 2 | D10012260.9 | WASHER BRAKE PEDAL CROSS SHAFT THRUST | 4 |
| 3 | D10558920.9 | GUIDE SUPPORT LEVER (IGUS) | 1 |
| 4 | D86500040AC.9 | WASHER M6 SPRING LOCK | 1 |
| 5 | D90000570.9 | CIRCLIP A28X1.5 N | 2 |
| 6 | D10013460.9 | PIN 1/8"X0.75" COTTER | 4 |
| 7 | D85500140.9 | WASHER M10 FLAT | 10 |
| 8 | D10258180.9 | PIN 10X35 CLEVIS | 4 |
| 9 | D85500040.9 | WASHER M6 FLAT | 1 |
| 10 | D10604710.9 | BRAKE PEDAL SHAFT ASSEMBLY INNER | 1 |
| 11 | D10604800.9 | ROD TIE AND CLEVIS ASSEMBLY BRAKE PEDAL | 2 |
| 12 | D83500290.9 | NUT M12X1.75 HEX | 4 |
| 13 | D83000010.9 | NUT 3/8"-24 HEX | 6 |
| 14 | D10292730.9 | PIN 3/8" CLEVIS | 3 |
| 15 | D10552220.9 | PAD RUBBER TOP PLATE | 2 |
| 16 | D10012250.9 | SPRING BRAKE PEDAL RETURN | 2 |
| 17 | D10604820.9 | ROD TIE AND CLEVIS ASSEMBLY PARKING BRAKE | 2 |
| 18 | D10293160.9 | CLEVIS 3/8" | 3 |
| 19 | D10564110AB.9 | KNOB ASSEMBLY INDEPENDENT PARKING BRAKE | 1 |
| 20 | D10610590.9 | ROD TIE AND CLEVIS ASSEMBLY INDEPENDENT PARKING BRAKE | 1 |
| 21 | D83500070.9 | NUT M6X1.00-6 HEX | 2 |
| 22 | D10604740AB.9 | HUB AND LEVER ASSEMBLY INDEPENDENT PARKING BRAKE RH | 1 |
| 23 | D81500340.9 | BOLT M6X1.00X35-8.0 HEX HEAD | 1 |
| 24 | D10604690.9 | SHAFT ASSEMBLY BRAKE PEDAL OUTER | 1 |
| 25 | D10471840.9 | SPACER BRAKE ACTUATING SHAFT LH | 1 |
| 26 | D91000050.9 | KEY 4X5 WOODRUFF | 1 |
| 27 | D11341990AA.9 | PEDAL ASSEMBLY REAR WHEEL BRAKE (LH/RH SET) | 1 |
| 28 | D81000470.9 | BOLT 7/16"-14X1.50" HEX HEAD | 1 |
| 29 | D85500090.9 | WASHER M5 FLAT | 2 |
| 30 | D82501120.9 | SCREW M5X0.80X16-6.6 HEX HEAD | 2 |
| 31 | D10498400AB.9 | SWITCH ASSEMBLY STOP LAMP | 1 |
| 32 | D83500090.9 | NUT M10X1.50-8 HEX | 2 |
| 33 | D83500010.9 | NUT M5X0.8-6 PLATED | 2 |
| 34 | D10604840AB.9 | BRACKET ASSEMBLY INDEPENDENT PARKING BRAKE MOUNTING | 1 |
| 35 | D86500090.9 | WASHER M10 SPRING LOCK | 2 |
| 36 | D81500280.9 | BOLT M10X1.50X25-6G HEX HEAD (CARRARO PART NO 127922) | 2 |

TABLE-47
WHEEL AND TYRE ASSEMBLY REAR 33x15.50-16.50 (M/s BKT - INDUSTRIAL)

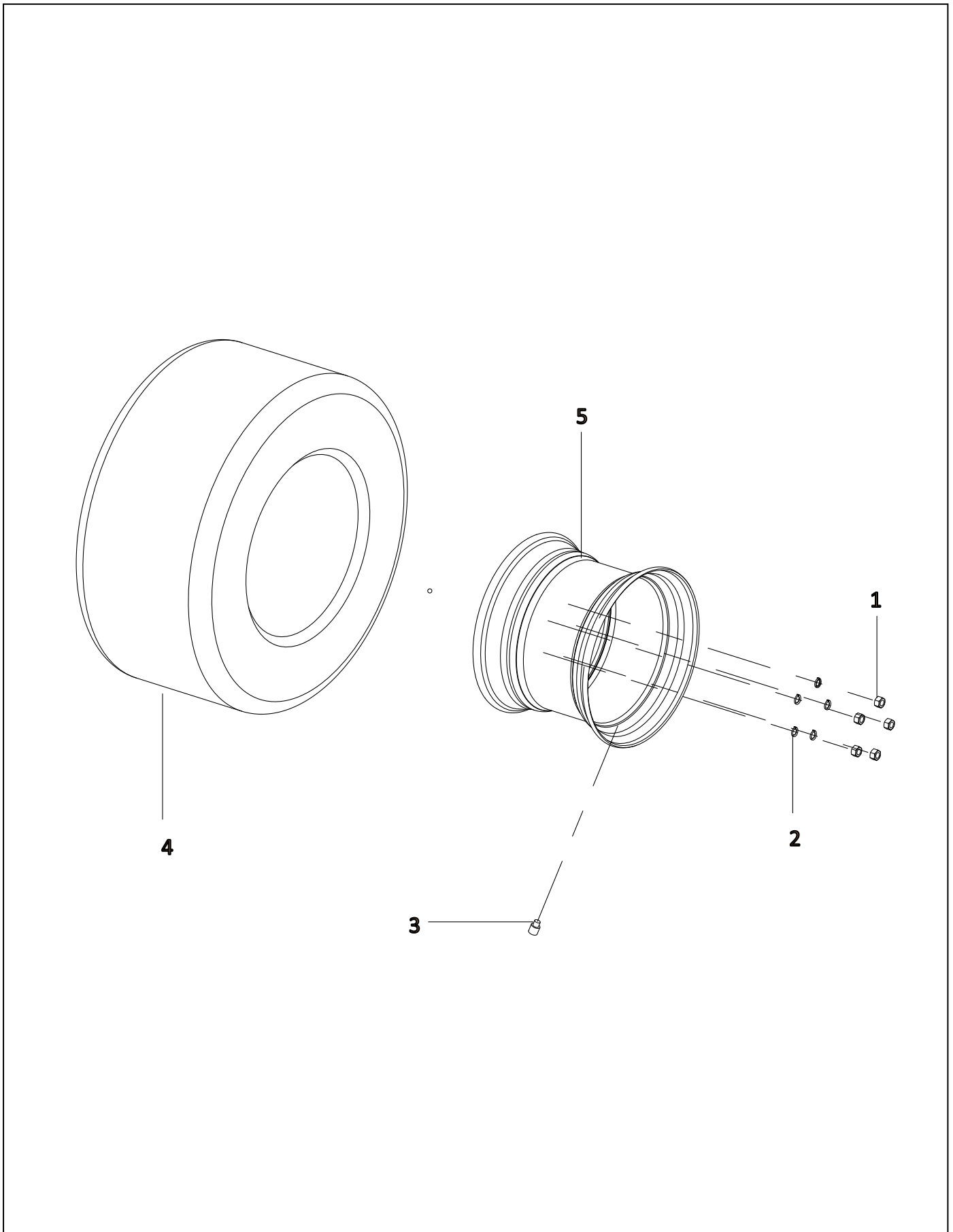


TABLE-47**WHEEL AND TYRE ASSEMBLY REAR 33x15.50-16.50 (M/s BKT - INDUSTRIAL)**

| Fig. No. | Part No. | Description | Qty |
|-----------------|-----------------|--|------------|
| 1 | D83501020.9 | NUT M16X1.5-10.9 HEX HEAD | 10 |
| 2 | D86500060.9 | WASHER M16 SPRING LOCK | 10 |
| 3 | D10538660.9 | VALVE TYRE REAR WHEEL 33X15.50-16.5 (TR415) | 2 |
| 4 | D10530300.9 | TYRE ASSEMBLY REAR WHEEL 33X15.5-16.5 SPHD 12PR TUBELESS | 2 |
| 5 | D10538500.9 | RIM ASSEMBLY REAR WHEEL 12X16.5" (ANTIQUER SILVER) | 2 |

TABLE-48
HYDRAULIC LIFT SUBASSEMBLY WITH PC LEVER ONLY (COMPACT TRACTOR)

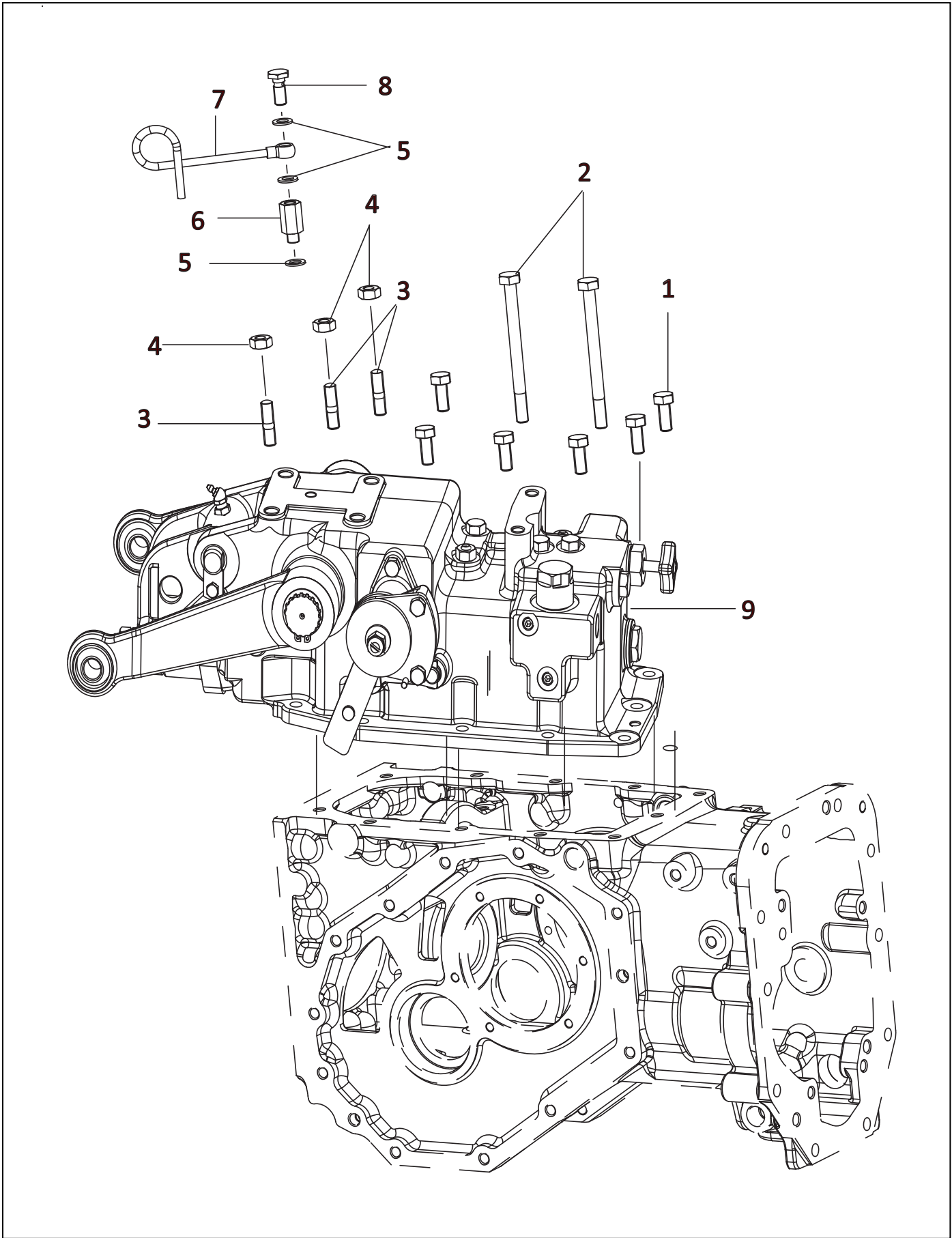


TABLE-48**HYDRAULIC LIFT SUBASSEMBLY WITH PC LEVER ONLY (COMPACT TRACTOR)**

| Fig. No. | Part No. | Description | Qty |
|-----------------|-----------------|--|------------|
| 1 | D81503300.9 | BOLT M10X1.50X28-10.9 HEX HEAD | 6 |
| 2 | D81502060.9 | BOLT M10X1.5X120-10.9 HEX HEAD | 2 |
| 3 | D84500340.9 | STUD B M10X1.5X40-10.9 | 3 |
| 4 | D83500130.9 | NUT M10X1.50-10P HEX | 3 |
| 5 | D10007280.9 | WASHER COPPER SEALING | 3 |
| 6 | D11212960AA.9 | CONNECTOR M10 X 1.0 AND M10 X 1.0 STUD END | 1 |
| 7 | D11221980AA.9 | PIPE ASSEMBLY BREATHER COMPACT | 1 |
| 8 | D10248190.9 | BOLT PIPE UNION M10X1.0X25 HEX HEAD | 1 |
| 9 | D11570600AA.9 | HYDRAULIC LIFT ASSEMBLY COMPACT (WITH PC LEVER ONLY) | 1 |
| 10 | D95013250.9 | SEALANT LIQUID ANAEROBIC (HIGHER STRENGTH) | AR |

TABLE-49
DRAFT SENSING HYDRAULIC SUBASSEMBLY (COMPACT)

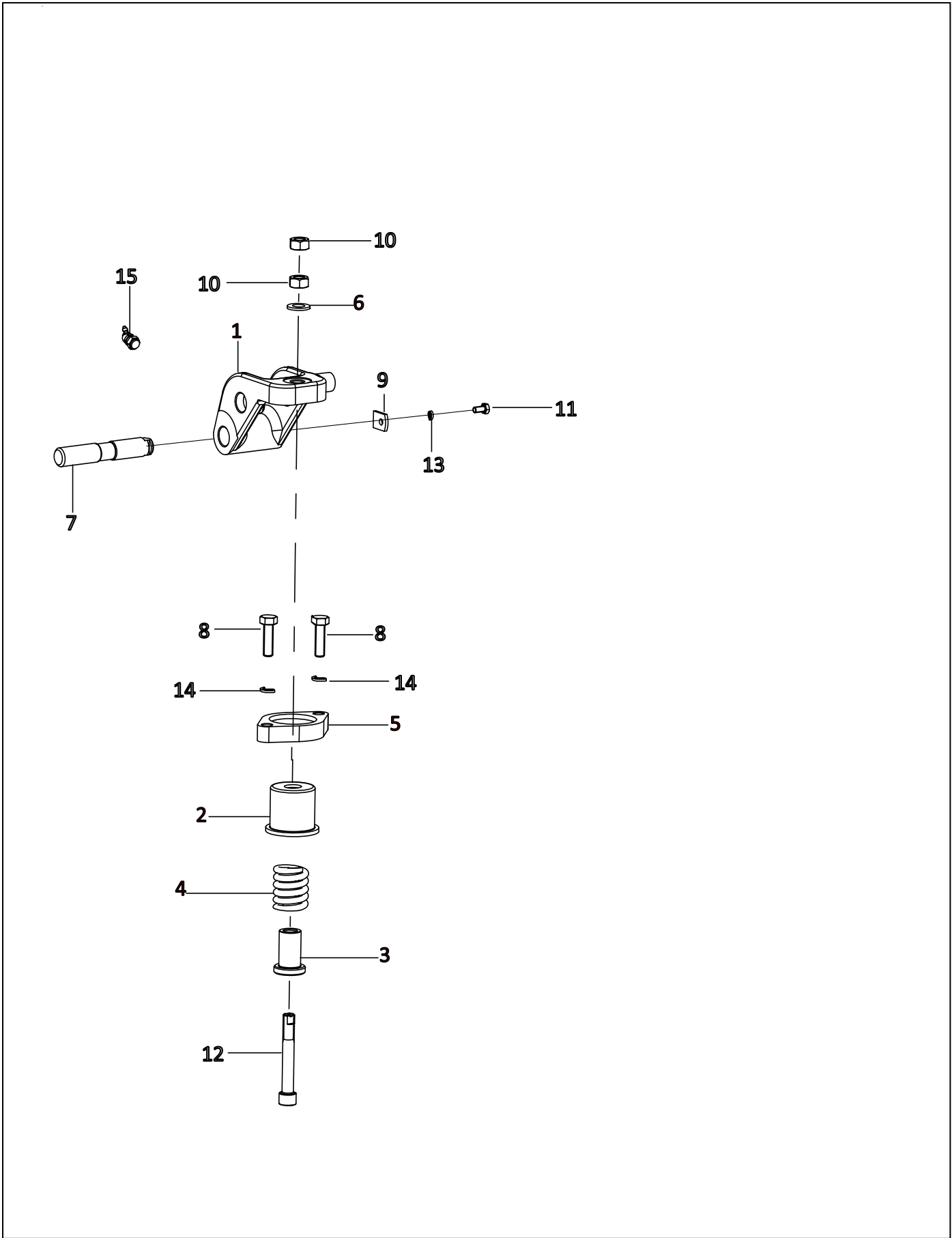


TABLE-49
DRAFT SENSING HYDRAULIC SUBASSEMBLY (COMPACT)

| Fig. No. | Part No. | Description | Qty |
|----------|---------------|---|-----|
| 1 | D10826430AD.9 | ROCKER TOP LINK SENSING ASSEMBLY | 1 |
| 2 | D10826520.9 | HOUSING HYDRAULIC LIFT DRAFT CONTROL SPRING | 1 |
| 3 | D10828460.9 | GUIDE LOWER LIFT DRAFT CONTROL SPRING | 1 |
| 4 | D11259700AA.9 | SPRING DRAFT CONTROL SENSING COMPACT | 1 |
| 5 | D10826530.9 | FLANGE DRAFT SPRING HOUSING | 1 |
| 6 | D85500060.9 | WASHER M12 FLAT | 1 |
| 7 | D10826440AC.9 | PIN HYDRAULIC LIFT ROCKER | 1 |
| 8 | D81503870.9 | BOLT M10X1.50X35-10.9 HEX HEAD (16 A/F) | 2 |
| 9 | D10007020.9 | PLATE SECURING DRAFT CONTROL | 1 |
| 10 | D83500040.9 | NUT M12X1.75-6 HEX | 2 |
| 11 | D82500050.9 | SCREW M6X1.00X12-6.8 HEX HEAD | 1 |
| 12 | D81504280AB.9 | BOLT M12X1.75X85-10.9 ALLEN | 1 |
| 13 | D86500040AC.9 | WASHER M6 SPRING LOCK | 1 |
| 14 | D86500050AC.9 | WASHER M10 SPRING LOCK | 2 |
| 15 | D92500090.9 | GREASE NIPPLE B M10X1 WITH LOCKNUT | 1 |

TABLE-50
CYLINDER PISTON AND VALVE SUBASSEMBLY (COMPACT)

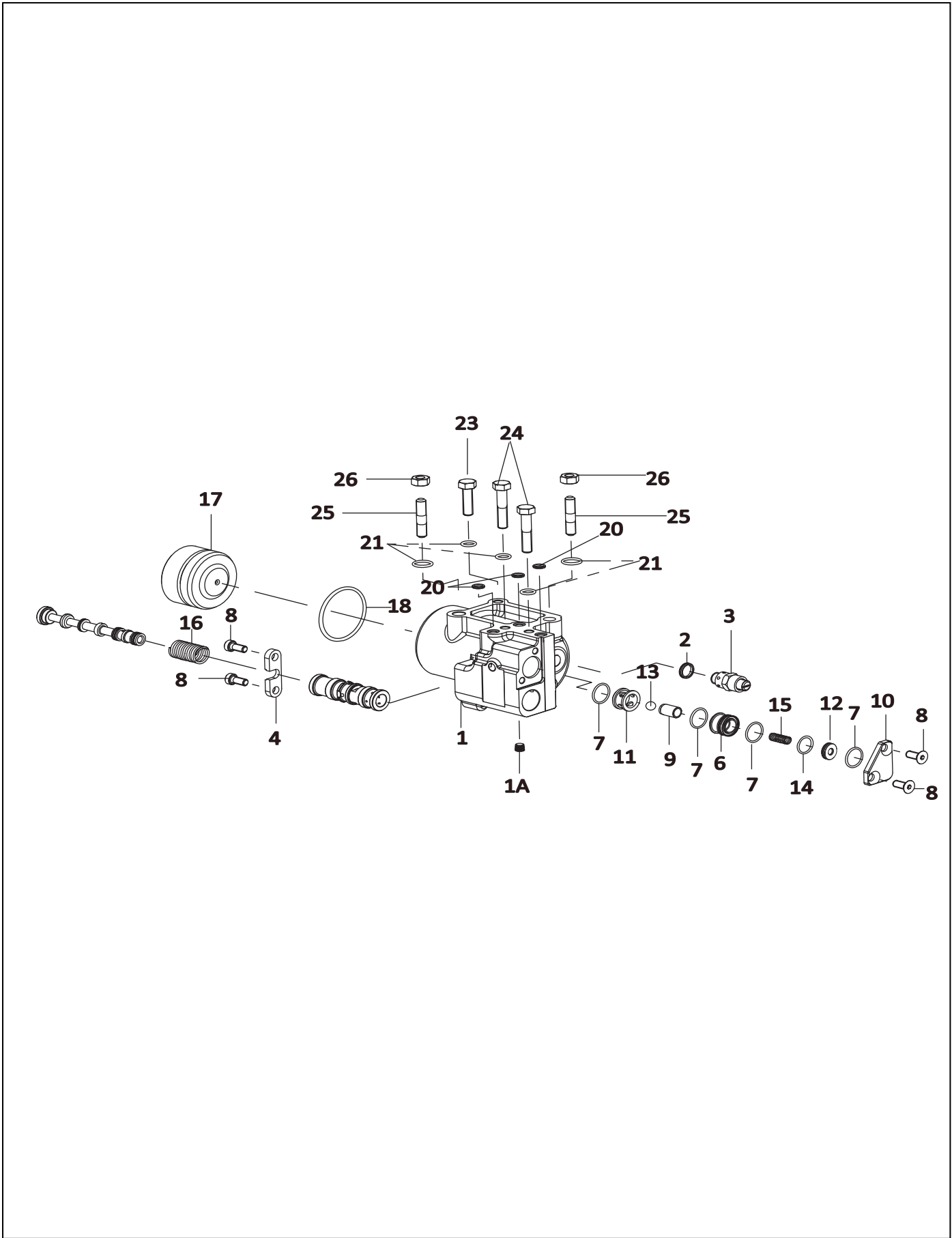


TABLE-50
CYLINDER PISTON AND VALVE SUBASSEMBLY (COMPACT)

| Fig. No. | Part No. | Description | Qty |
|----------|---------------|---|-----|
| 1 | D10839480AD.9 | CYLINDER AND BUSH ASSEMBLY | 1 |
| 1A | D93100060.9 | PLUG 1/"8-27 SOCKET HEX HEAD (STEEL) | 1 |
| 2 | D10059580.9 | GASKET HYDRAULIC LIFT SAFETY VALVE | 1 |
| 3 | D10194150.9 | VALVE ASSEMBLY HYDRAULIC LIFT SAFETY | 1 |
| 4 | D10828420.9 | COVER HYDRAULIC DISTRIBUTOR BODY FRONT | 1 |
| 5 | D82500730.9 | SCREW M8X1.25X18 ALLEN | 2 |
| 6 | D10007990.9 | INSERT HYDRAULIC DISTRIBUTOR | 1 |
| 7 | D10102780.9 | RING SEALING | 4 |
| 8 | D10152630.9 | SCREW M8X1.25X20 COUNTERSUNK SOCKET HEAD | 2 |
| 9 | D10008100.9 | SEAT HYDRAULIC DISTRIBUTOR | 1 |
| 10 | D10828430.9 | COVER HYDRAULIC DISTRIBUTOR BODY REAR | 1 |
| 11 | D10103340.9 | SEAT VALVE LOCKING BALL | 1 |
| 12 | D10828440AB.9 | PLUG HYDRAULIC LIFT UNLOAD VALVE | 1 |
| 13 | D10008080.9 | BALL 10MM CHROMIUM STEEL | 1 |
| 14 | D10102790.9 | RING SEALING | 1 |
| 15 | D10008200.9 | SPRING VALVE LOCK | 1 |
| 16 | D10348970AC.9 | SPRING HYDRAULIC LIFT CONTROL VALVE | 1 |
| 17 | D10828370BA.9 | PISTON HYDRAULIC LIFT CYLINDER | 1 |
| 18 | D10828400.9 | SEAL O RING PISTON HYDRAULIC LIFT | 1 |
| 20 | D10007810.9 | SEAL O RING 2.50X11.00 | 3 |
| 21 | D10007820.9 | SEAL O RING 2.40X16.30 | 2 |
| 22 | D10072340.9 | SEAL O RING 0.364X0.066 (HYDRAULIC LIFT ACCESS COVER) | 3 |
| 23 | D81504060.9 | BOLT M10X1.50X50-10.9 HEX HEAD (PRECOATED) | 2 |
| 24 | D81503870.9 | BOLT M10X1.50X35-10.9 HEX HEAD (16 A/F) | 1 |
| 25 | D84500350.9 | STUD M10X1.5X48-10.9 | 2 |
| 26 | D83500130.9 | NUT M10X1.50-10P HEX | 2 |

TABLE-51
POWER TRANSFER SUBASSEMBLY (COMPACT)

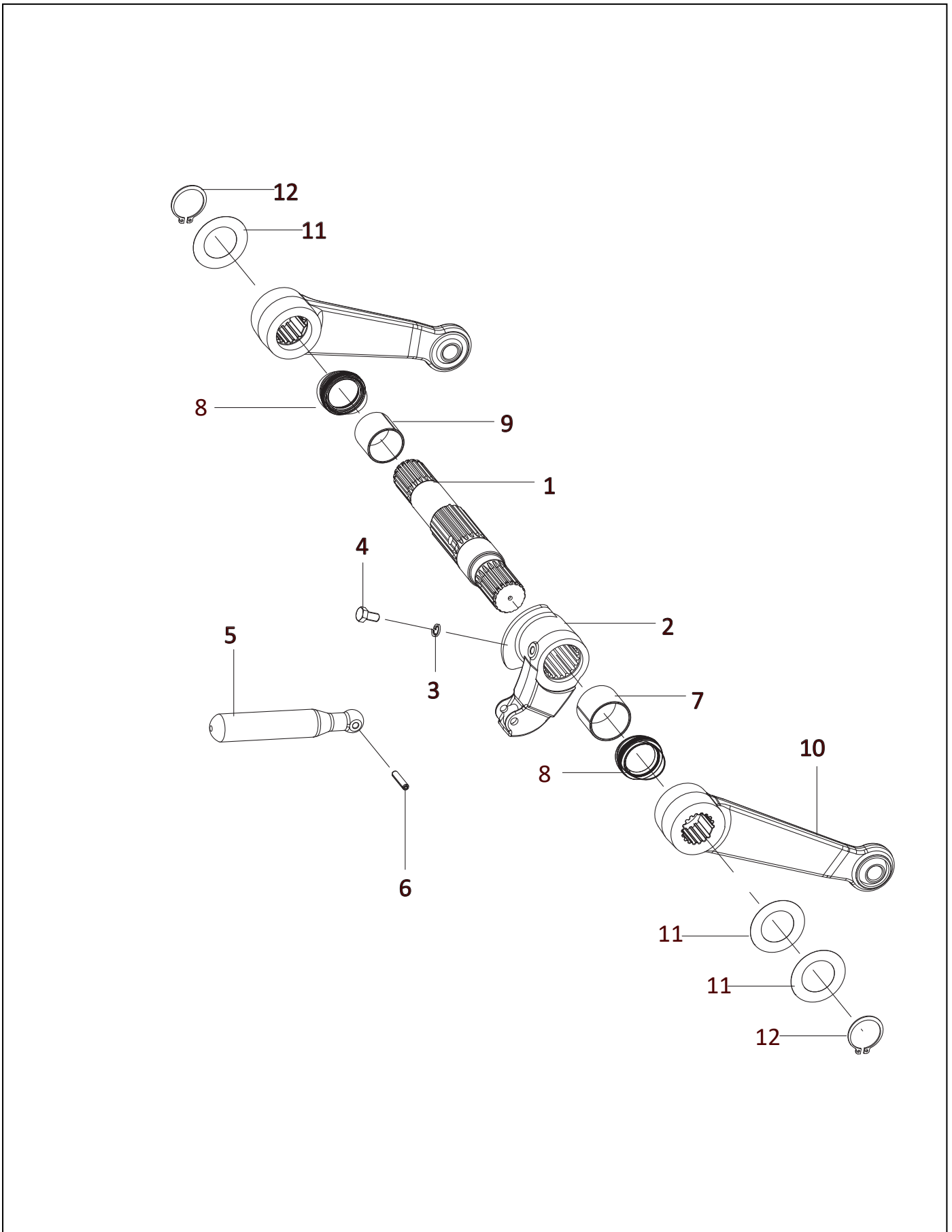


TABLE-51
POWER TRANSFER SUBASSEMBLY (COMPACT)

| Fig. No. | Part No. | Description | Qty |
|----------|---------------|---|-----|
| 1 | D10828290AB.9 | SHAFT SERRATED HYDRAULIC LIFT | 1 |
| 2 | D10828350AB.9 | ARM HYDRAULIC LIFT RAM | 1 |
| 3 | D86500030AC.9 | WASHER M8 SPRING LOCK | 1 |
| 4 | D81503090.9 | BOLT M8X1.25X16-8.8 HEX HEAD | 1 |
| 5 | D10828360AB.9 | ROD HYDRAULIC LIFT CONNECTING | 1 |
| 6 | D87500700.9 | PIN 6X30 SPRING DOWEL COMBINATION TYPE | 1 |
| 7 | D10828380.9 | BUSHING HYDRAULIC LIFT SHAFT LH | 1 |
| 8 | D93601530.9 | SEAL OIL 35X45X9.0 | 2 |
| 9 | D10828390.9 | BUSHING HYDRAULIC LIFT SHAFT RH | 1 |
| 10 | D10828320.9 | ARM ASSEMBLY HYDRAULIC LIFT RH | 2 |
| 11 | D10008490.9 | SHIM DRAFT CONTROL SPRING ADJUSTING 0.3MM | 3 |
| 12 | D90000020.9 | CIRCLIP A35X1.5 N | 2 |

TABLE-52
QUADRANT HYDRAULIC SUBASSEMBLY COMPACT

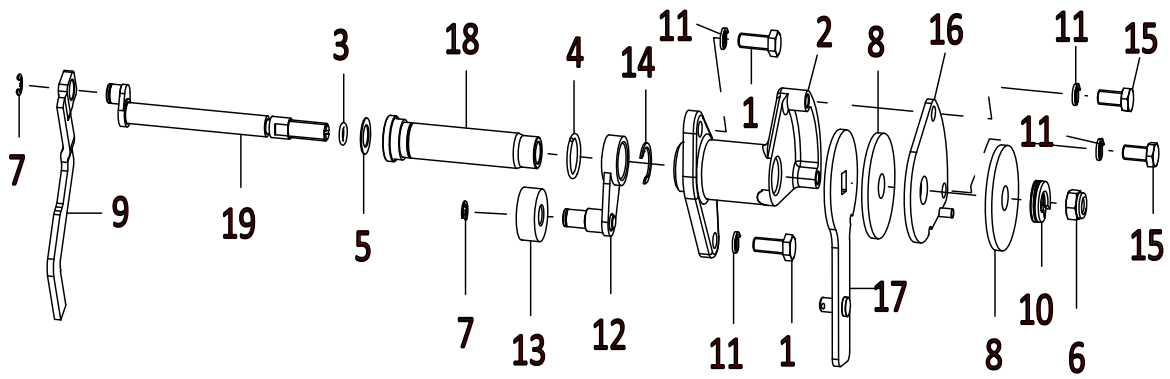


TABLE-52
QUADRANT HYDRAULIC SUBASSEMBLY COMPACT

| Fig. No. | Part No. | Description | Qty |
|----------|---------------|--|-----|
| 1 | D81501470.9 | BOLT M8X1.25X25-10.9 HEX HEAD | 2 |
| 2 | D10828270AB.9 | HOUSING HYDRAULIC LIFT CONTROL QUADRANT | 1 |
| 3 | D10007700.9 | SEAL O RING 2.62X7.59 | 1 |
| 4 | D10016360.9 | SEAL O RING 2.65X20.50 | 1 |
| 5 | D10835670.9 | WASHER HYDRAULIC LIFT SHAFT THRUST | 1 |
| 6 | D83500170.9 | NUT M10X1.50 NYLOCK HEX | 1 |
| 7 | D10006160.9 | CIRCLIP C6X0.85 N | 2 |
| 8 | D10826110.9 | DISC HYDRAULIC LIFT CONTROL FRICTION | 2 |
| 9 | D10825700AB.9 | LINK HYDRAULIC LIFT POSITION CONTROL | 1 |
| 10 | D10072320.9 | WASHER HYDRAULIC LIFT CONTROL SPRING | 1 |
| 11 | D86500030AC.9 | WASHER M8 SPRING LOCK | 4 |
| 12 | D10826080AC.9 | LEVER ASSEMBLY HYDRAULIC LIFT POSITION CONTROL | 1 |
| 13 | D10826090AC.9 | ROLLER HYDRAULIC LIFT POSITION CAM FOLLOWER | 1 |
| 14 | D90000790.9 | RING 0.78" RETAINING TYPE RC EXTERNAL | 1 |
| 15 | D81500110.9 | BOLT M8X1.25X20-8.8 HEX HEAD | 2 |
| 16 | D10826100AB.9 | DISC HYDRAULIC LIFT CONTROL | 1 |
| 17 | D11542140AA.9 | LEVER HYDRAULIC LIFT POSITION CONTROL | 1 |
| 18 | D11528350AA.9 | SHAFT ASSEMBLY HYDRAULIC LIFT DRAFT CONTROL SELECTOR | 1 |
| 19 | D11526910AA.9 | SHAFT HYDRAULIC LIFT CONTROL LEVER | 1 |

TABLE-53
CONTROL LINKAGES HYDRAULIC SUBASSEMBLY COMPACT

| Fig. No. | Part No. | Description | Qty |
|----------|---------------|---|-----|
| 1 | D10006160.9 | CIRCLIP C6X0.85 N | 1 |
| 2 | D10825780CA.9 | PIN HYDRAULIC LIFT ACTUATOR PIVOT | 1 |
| 3 | D83500060.9 | NUT M8X1.25-6 HEX | 1 |
| 4 | D10826140AD.9 | ACTUATOR HYDRAULIC LIFT CONTROL VALVE | 1 |
| 5 | D10825720BB.9 | LINK ASSEMBLY HYDRAULIC LIFT CONTROL VALVE ACTUATING | 1 |
| 7 | D85500050.9 | WASHER M8 FLAT | 2 |
| 8 | D83500160.9 | NUT M8X1.25 NYLOCK HEX | 1 |
| 9 | D10826030AB.9 | LINK SWIVEL ASSEMBLY HYDRAULIC LINKAGE | 1 |
| 10 | D11541760AA.9 | LINK ASSEMBLY HYDRAULIC LIFT SPOOL VALVE ACTUATING | 1 |
| 11 | D11528690AB.9 | PIN HYDRAULIC LIFT ACTUATOR PIVOT | 1 |
| 12 | D10012440.9 | RING 1/2 RETAINING TYPE RB EXTERNAL | 2 |
| 13 | D10826060AB.9 | SPRING HYDRAULIC LIFT POSITION CONTROL VALVE OVERTRAVEL | 1 |
| 14 | D93600170.9 | SEAL O RING 0.070"X0.562" | 2 |
| 15 | D10830510BA.9 | PLATE SECURING DRAFT CONTROL | 2 |
| 16 | D86500040AC.9 | WASHER M6 SPRING LOCK | 2 |
| 17 | D82500050.9 | SCREW M6X1.00X12-6.8 HEX HEAD | 2 |

TABLE-54
COVER HYDRAULIC SUBASSEMBLY COMPACT (WITH PC LEVER ONLY)

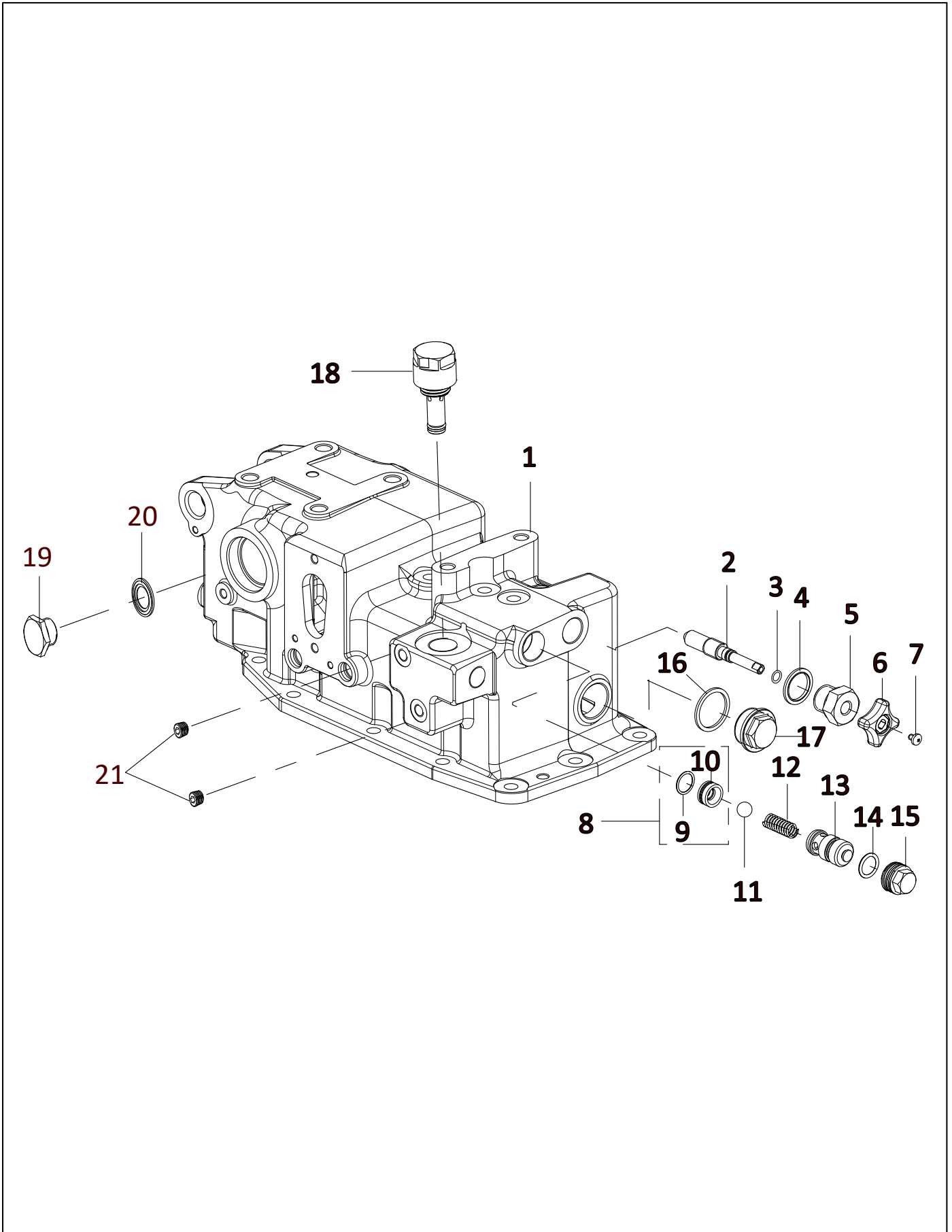


TABLE-54
COVER HYDRAULIC SUBASSEMBLY COMPACT (WITH PC LEVER ONLY)

| Fig. No. | Part No. | Description | Qty |
|----------|---------------|---|-----|
| 1 | D10828260AF.9 | COVER HYDRAULIC LIFT TOP | 1 |
| 2 | D10828900AB.9 | SPOOL COVER HYDRAULIC LIFT ACCESSORY | 1 |
| 3 | D93601060AB.9 | SEAL O RING 1.5X7.5 | 1 |
| 4 | D93601400.9 | SEAL BONDED M22 (DOWTY) | 1 |
| 5 | D10531350.9 | ADAPTER M22X1.5 COVER HYDRAULIC LIFT ACCESSORY | 1 |
| 6 | D10228950.9 | KNOB COVER HYDRAULIC LIFT ACCESSORY UPPER | 1 |
| 7 | D10186500.9 | SCREW COVER HYDRAULIC LIFT ACCESSORY | 1 |
| 8 | D10193040.9 | SEAT HYDRAULIC LIFT CHECK VALVE AND SEAL ASSEMBLY | 1 |
| 9 | D93600270.9 | SEAL O RING 0.070"X0.625" (S95 FINISH) | 1 |
| 10 | D10058870.9 | SEAT HYDRAULIC LIFT CHECK VALVE | 1 |
| 11 | D10066970.9 | BALL 15/32" DIAMETER | 1 |
| 12 | D10060590.9 | SPRING HYDRAULIC LIFT CHECK VALVE | 1 |
| 13 | D10536090AD.9 | RETAINER HYDRAULIC LIFT CHECK VALVE | 1 |
| 14 | D93600090.9 | SEAL O RING 0.103"X0.625" | 1 |
| 15 | D10059150.9 | PLUG HYDRAULIC LIFT CHECK VALVE | 1 |
| 16 | D10107280.9 | WASHER COPPER HYDRAULIC LIFT (36X30X2) | 1 |
| 17 | D10238120.9 | PLUG M30X1.5X12 WELCH | 1 |
| 18 | D10004120.9 | VALVE ASSEMBLY HYDRAULIC LIFT PUMP RELIEF | 1 |
| 19 | D10006500.9 | PLUG M18X1.5X12-6.8 HEX HEAD | 1 |
| 20 | D93601550.9 | SEAL BONDED M18 (DOWTY SELF CENTERING) | 1 |
| 21 | D93100060.9 | PLUG 1/"8-27 SOCKET HEX HEAD (STEEL) | 2 |

TABLE-55
TUBING HYDRAULIC SUBASSEMBLY

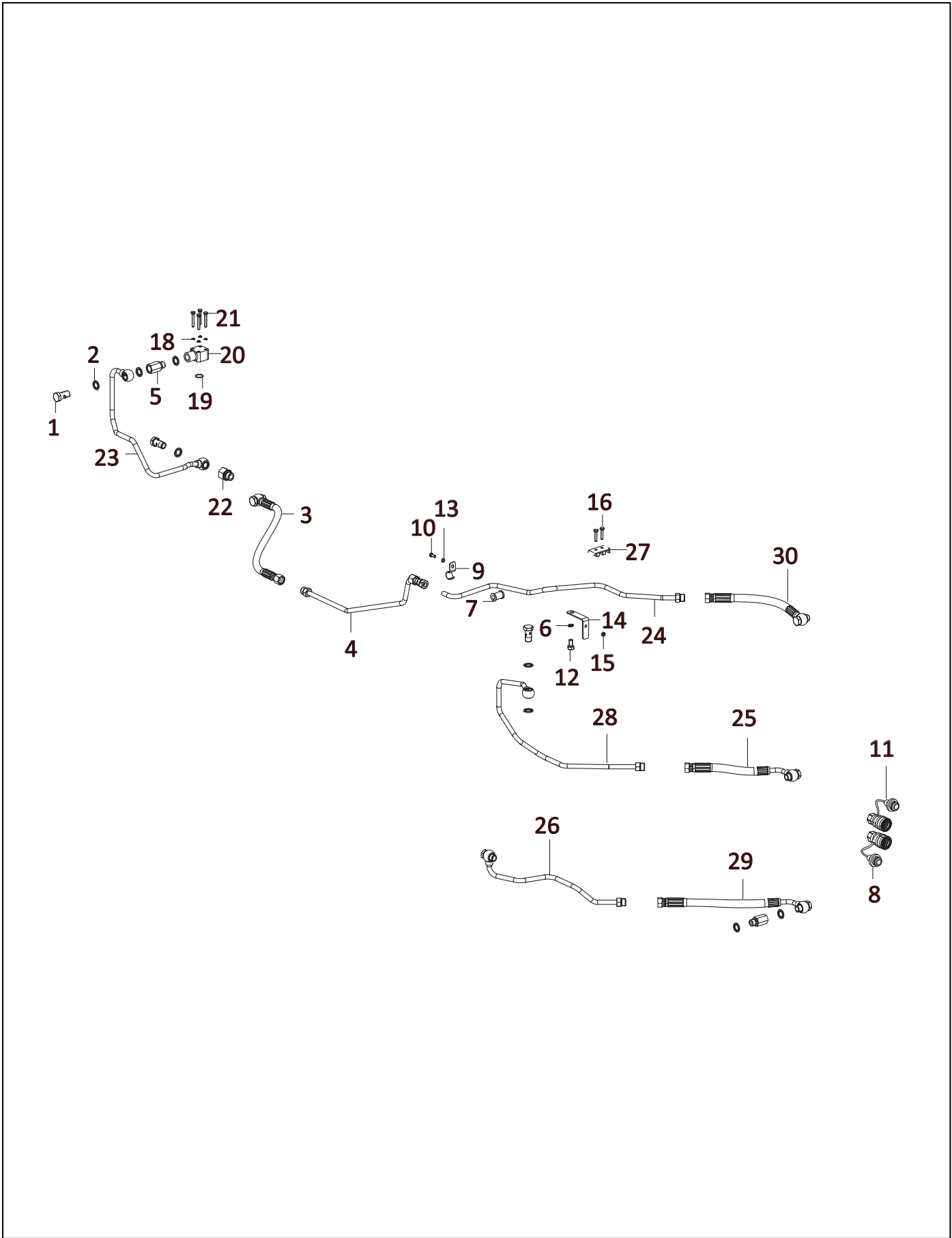


TABLE-55
TUBING HYDRAULIC SUBASSEMBLY

| Fig. No. | Part No. | Description | Qty |
|----------|---------------|--|-----|
| 1 | D10174960AD.9 | BOLT BANJO M18X1.50 | 8 |
| 2 | D10174950AD.9 | SEAL BANJO BOLT DISTRIBUTOR TO CYLINDER TUBE | 18 |
| 3 | D11355520AA.9 | TUBE AND HOSE ASSEMBLY CONNECTOR TO FCV VALVE | 1 |
| 4 | D11355490AA.9 | TUBE ASSEMBLY CONNETOR TO HOSE | 1 |
| 5 | D10527310.9 | CONNECTOR M18X1.50 AND M18X1.50 STUD END | 2 |
| 6 | D86500050AC.9 | WASHER M10 SPRING LOCK | 1 |
| 7 | D10413940.9 | GROMMET TUBE RETURN STEERING MOTOR TO RESERVOIR | 1 |
| 8 | D11215870AA.9 | COUPLING ASSEMBLY VALVE HYDRAULIC REMOTE POPPET TYPE | 1 |
| 9 | D10548020.9 | CLAMP TUBE HOLDING DIA 12 | 1 |
| 10 | D82500220.9 | SCREW M6X1.00X15-8.8 HEX HEAD | 1 |
| 11 | D11215710AA.9 | COUPLING ASSEMBLY VALVE HYDRAULIC REMOTE POPPET TYPE | 1 |
| 12 | D81500200.9 | BOLT M10X1.50X20-6.6 HEX HEAD | 1 |
| 13 | D85500110.9 | WASHER M6 FLAT | 1 |
| 14 | D10609280.9 | BRACKET ASSEMBLY HYDRAULIC TUBE HOLDING | 1 |
| 15 | D83500070.9 | NUT M6X1.00-6 HEX | 1 |
| 16 | D10466130.9 | BOLT M6X30-5.8 HEX HEAD (FTES SRUBA M6X30-5.8) | 2 |
| 18 | D86500040AC.9 | WASHER M6 SPRING LOCK | 4 |
| 19 | D93601170.9 | SEAL O RING 2.0X19 | 1 |
| 20 | D11411830AA.9 | ADAPTOR FOR HYDRAULIC TUBE | 1 |
| 21 | D10466140.9 | BOLT M6X40-5.8 HEX HEAD FTES SRUBA M6X40-5.8) | 4 |
| 22 | D10792500.9 | CONNECTOR M18X1.5 AND M22X1.5 STUD END | 1 |
| 23 | D11355310AA.9 | TUBE ASSEMBLY ADOPTER TO FCV VALVE | 1 |
| 24 | D11468670AA.9 | TUBE ASSEMBLY HYDRAULIC CONNECTOR TO CONNECTOR | 1 |
| 25 | D10911460AB.9 | TUBE AND HOSE ASSEMBLY QRC TO TANK | 1 |
| 26 | D11500210AA.9 | TUBE ASSEMBLY DCV TO HYDRAULIC LIFT INLET | 1 |
| 27 | D10911710AA.9 | BRACKET ASSEMBLY POWER STEERING TUBE HOLDING | 1 |
| 28 | D11468650AC.9 | TUBE ASSEMBLY CONNECTOR TO CENTRE HOUSING | 1 |
| 29 | D10911440AA.9 | TUBE AND HOSE ASSEMBLY CONNECTOR TO DCV | 1 |
| 30 | D10911500AA.9 | HOSE ASSEMBLY CONNECTOR TO SPOOL VALVE INLET | 1 |

TABLE-56
SPOOL VALVE ASSEMBLY (COMPACT ELECTRIC HST)

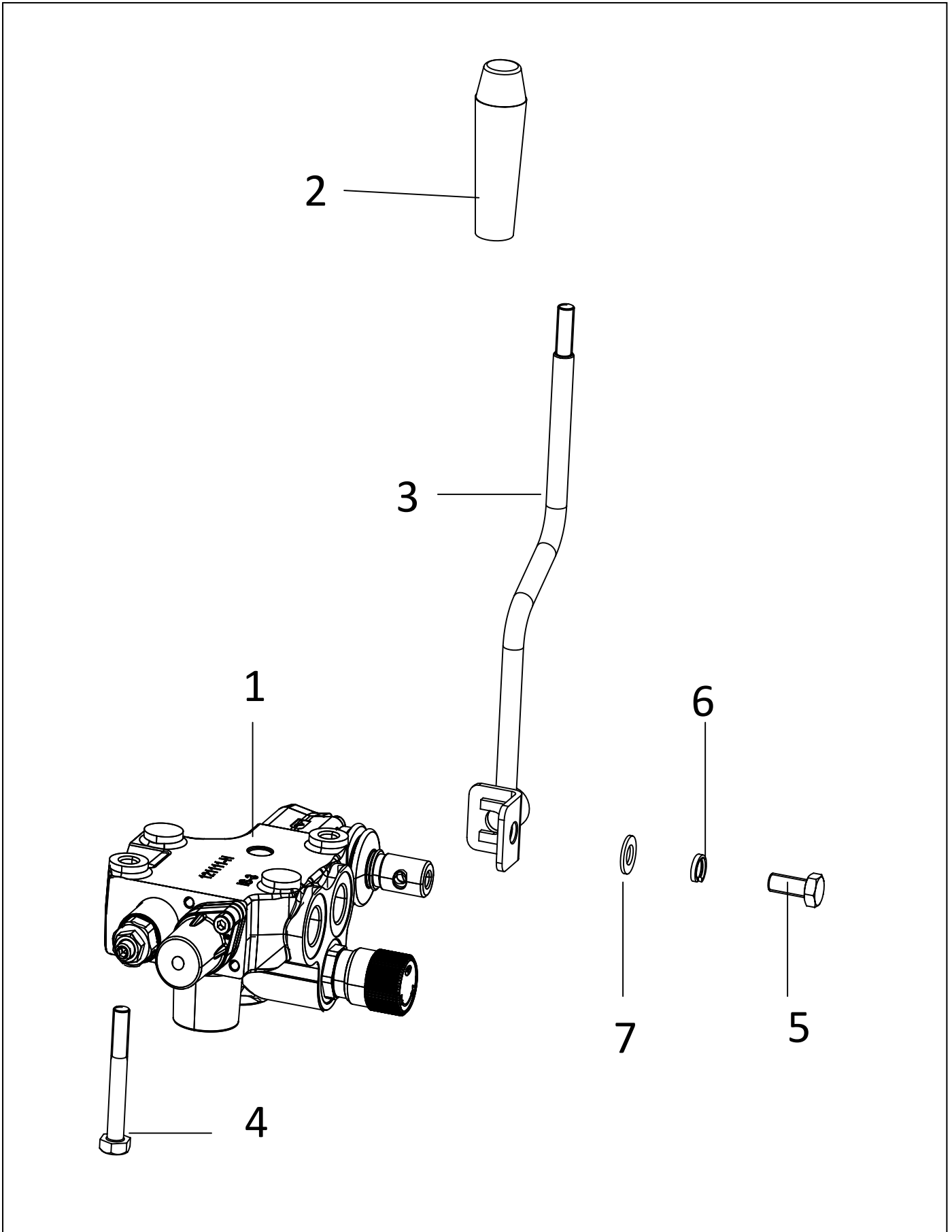


TABLE-56
SPOOL VALVE ASSEMBLY (COMPACT ELECTRIC HST)

| Fig. No. | Part No. | Description | Qty |
|----------|---------------|---|-----|
| 1 | D10898150.9 | VALVE ASSEMBLY HYDRAULIC CONTROL SINGLE SPOOL (DOUBLE ACTING DETENT TYPE) | 1 |
| 2 | D10215860.9 | KNOB HAND THROTTLE CONTROL LEVER | 1 |
| 3 | D10897650AB.9 | LEVER SPOOL VALVE | 1 |
| 4 | D81500130.9 | BOLT M8X1.25X60-8.8 HEX HEAD | 2 |
| 5 | D81500110.9 | BOLT M8X1.25X20-8.8 HEX HEAD | 1 |
| 6 | D86500030AC.9 | WASHER M8 SPRING LOCK | 1 |
| 7 | D85500050.9 | WASHER M8 FLAT | 1 |

TABLE-57
SWINGING DRAWBAR SUB ASSEMBLY

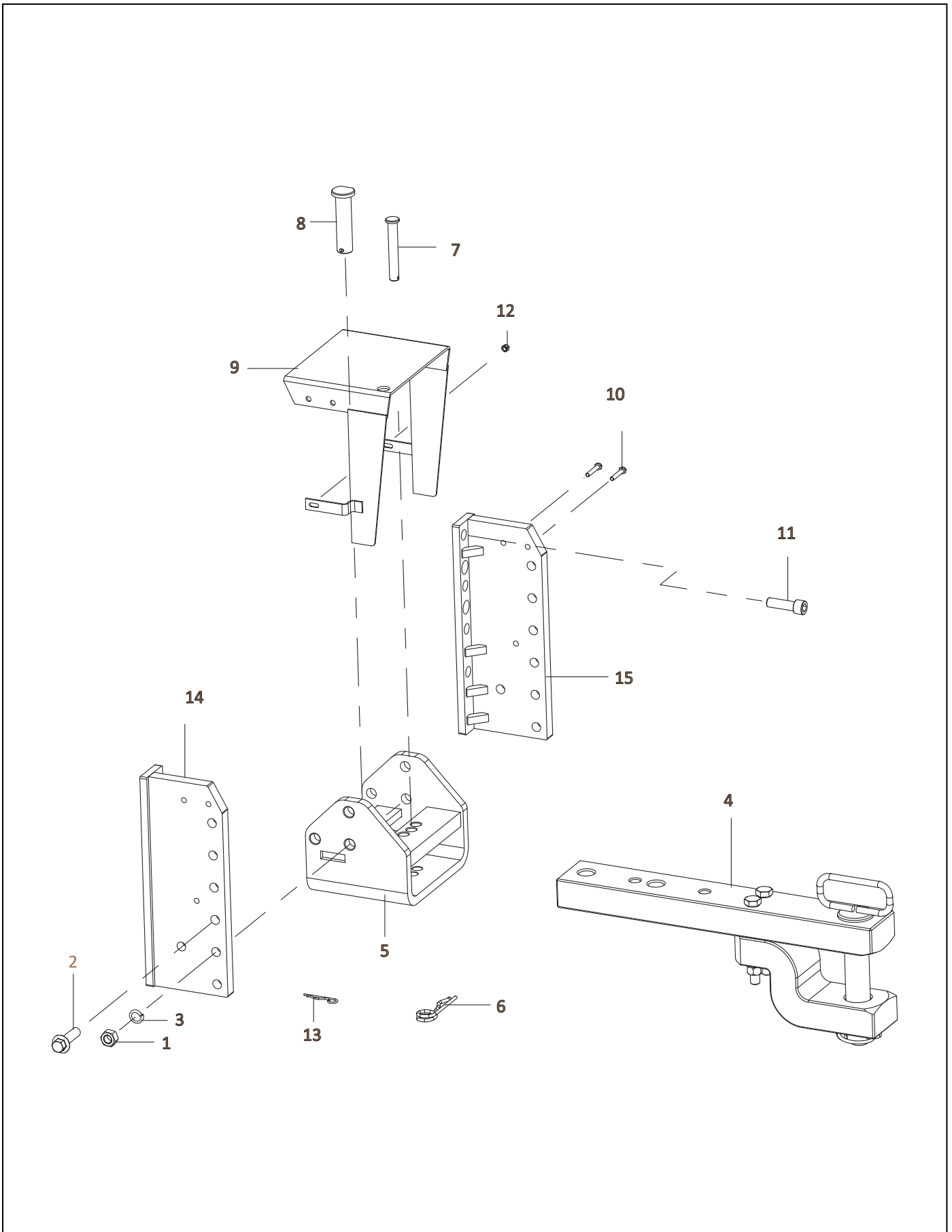


TABLE-57
SWINGING DRAWBAR SUB ASSEMBLY

| Fig. No. | Part No. | Description | Qty |
|----------|---------------|--|-----|
| 1 | D83500760.9 | NUT M12X1.75-6 HEX (GRADE 10.9) | 6 |
| 2 | D10007150.9 | BOLT M12X1.75X45-10.9 HEX HEAD | 6 |
| 3 | D86500020.9 | WASHER M12 SPRING LOCK | 14 |
| 4 | D10902370AB.9 | SWINGING DRAWBAR ASSEMBLY | 1 |
| 5 | D10902740AA.9 | BRACKET SWINGING DRAWBAR MOUNTING ASSEMBLY | 1 |
| 6 | D87500530.9 | PIN 4.0X75 SPRING R TYPE DOUBLE COIL (IS:6483) | 1 |
| 7 | D10904630AA.9 | PIN GUIDING SWINGING DRAWBAR MOUNTING | 1 |
| 8 | D10904640AA.9 | PIN LOADING SWINGING DRAWBAR MOUNTING | 1 |
| 9 | D10941900AA.9 | GUARD PTO ASSEMBLY | 1 |
| 10 | D81505100AA.9 | BOLT M5X0.8X30-8.8 HEX HEAD | 6 |
| 11 | D81503350.9 | BOLT M12X1.75X40-10.9 ALLEN | 8 |
| 12 | D83500010.9 | NUT M5X0.8-6 PLATED | 2 |
| 13 | D87500500.9 | PIN 2X51 SPRING R TYPE (IS:6483) | 1 |
| 14 | D10937120AB.9 | BRACKET ASSEMBLY TOW HOOK MOUNTING LH | 1 |
| 15 | D10937130AB.9 | BRACKET ASSEMBLY TOW HOOK MOUNTING RH | 1 |

TABLE-58
TUBING HYDRAULIC SUBASSEMBLY (ELECTRIC HST)

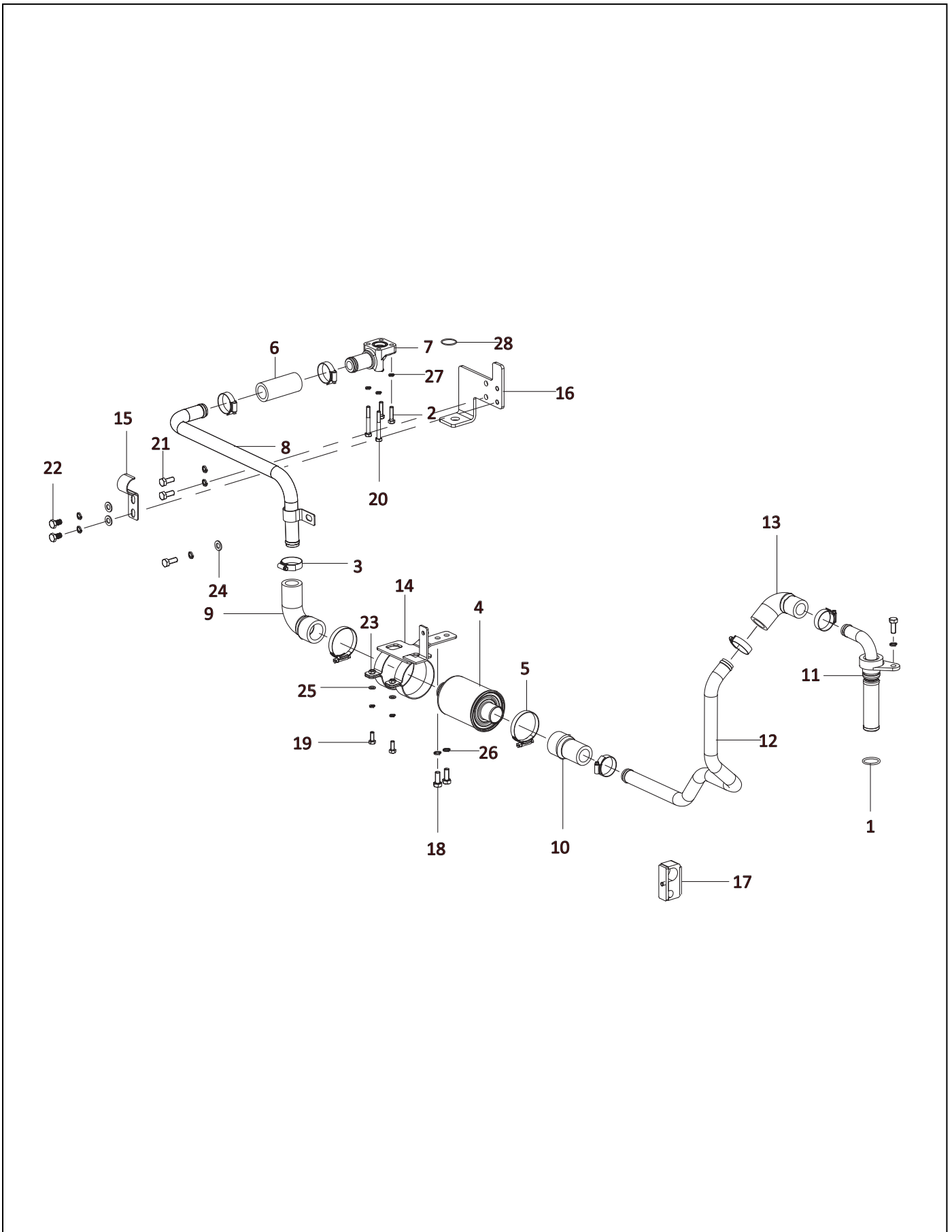


TABLE-58
TUBING HYDRAULIC SUBASSEMBLY (ELECTRIC HST)

| Fig. No. | Part No. | Description | Qty |
|----------|---------------|--|-----|
| 1 | D10016350.9 | SEAL O RING 2.65X25.00 | 1 |
| 2 | D10034960.9 | SCREW M6X1.00X25-6.6 HEX HEAD | 2 |
| 3 | D10293010.9 | CLAMP ASSEMBLY HOSE 40MM | 6 |
| 4 | D10297570.9 | STRAINER ASSEMBLY HYDRAULIC OIL | 1 |
| 5 | D10329500.9 | CLAMP HOSE WORM DRIVE 55MM | 2 |
| 6 | D10572620.9 | HOSE HYDRAULIC LIFT PUMP INLET TUBE | 1 |
| 7 | D11355140AA.9 | ADAPTOR PUMP TO HOSE | 1 |
| 8 | D11355160AB.9 | TUBE HOSE TO STRAINER | 1 |
| 9 | D11355170AA.9 | HOSE HYDRAULIC SUCTION | 1 |
| 10 | D11355180AA.9 | HOSE HYDRAULIC SUCTION | 1 |
| 11 | D11355200AA.9 | TUBING HYDRAULIC SUBASSEMBLY (ELECTRIC HST) | 1 |
| 12 | D11355220AA.9 | TUBE ASSEMBLY SUCTION HOSE TO STRAINER | 1 |
| 13 | D11355230AA.9 | HOSE SUCTION FOR STRAINER | 1 |
| 14 | D11355240AB.9 | BRACKET ASSEMBLY HYDRAULIC STRAINER MOUNTING | 1 |
| 15 | D11355290AA.9 | CLAMP TUBE HOLDING DIA 26 | 1 |
| 16 | D11355690AB.9 | BRACKET POWER STEERING TUBE HOLDING | 1 |
| 17 | D11371930AA.9 | CLAMP ASSEMBLY POWER STEERING TUBE HOLDING | 1 |
| 18 | D81500110.9 | BOLT M8X1.25X20-8.8 HEX HEAD | 4 |
| 19 | D81500360.9 | BOLT M6X1.00X16-9.8 HEX HEAD | 2 |
| 20 | D81503520.9 | BOLT M6X1.0X50-10.9 HEX HEAD | 2 |
| 21 | D82500040.9 | SCREW M8X1.25X20-8.8 HEX HEAD | 2 |
| 22 | D82500070.9 | SCREW M8X1.25X15-6.8 HEX HEAD | 2 |
| 23 | D83500070.9 | NUT M6X1.00-6 HEX | 2 |
| 24 | D85500050.9 | WASHER M8 FLAT | 3 |
| 25 | D85500110.9 | WASHER M6 FLAT | 2 |
| 26 | D86500030AC.9 | WASHER M8 SPRING LOCK | 8 |
| 27 | D86500040AC.9 | WASHER M6 SPRING LOCK | 6 |
| 28 | D93600580.9 | SEAL O RING 1.78X23.52 | 1 |

TABLE-59
PUMP HYDRAULIC LIFT AND MOTOR SUBASSEMBLY HYDRAULIC LIFT PUMP FOR CET-HST

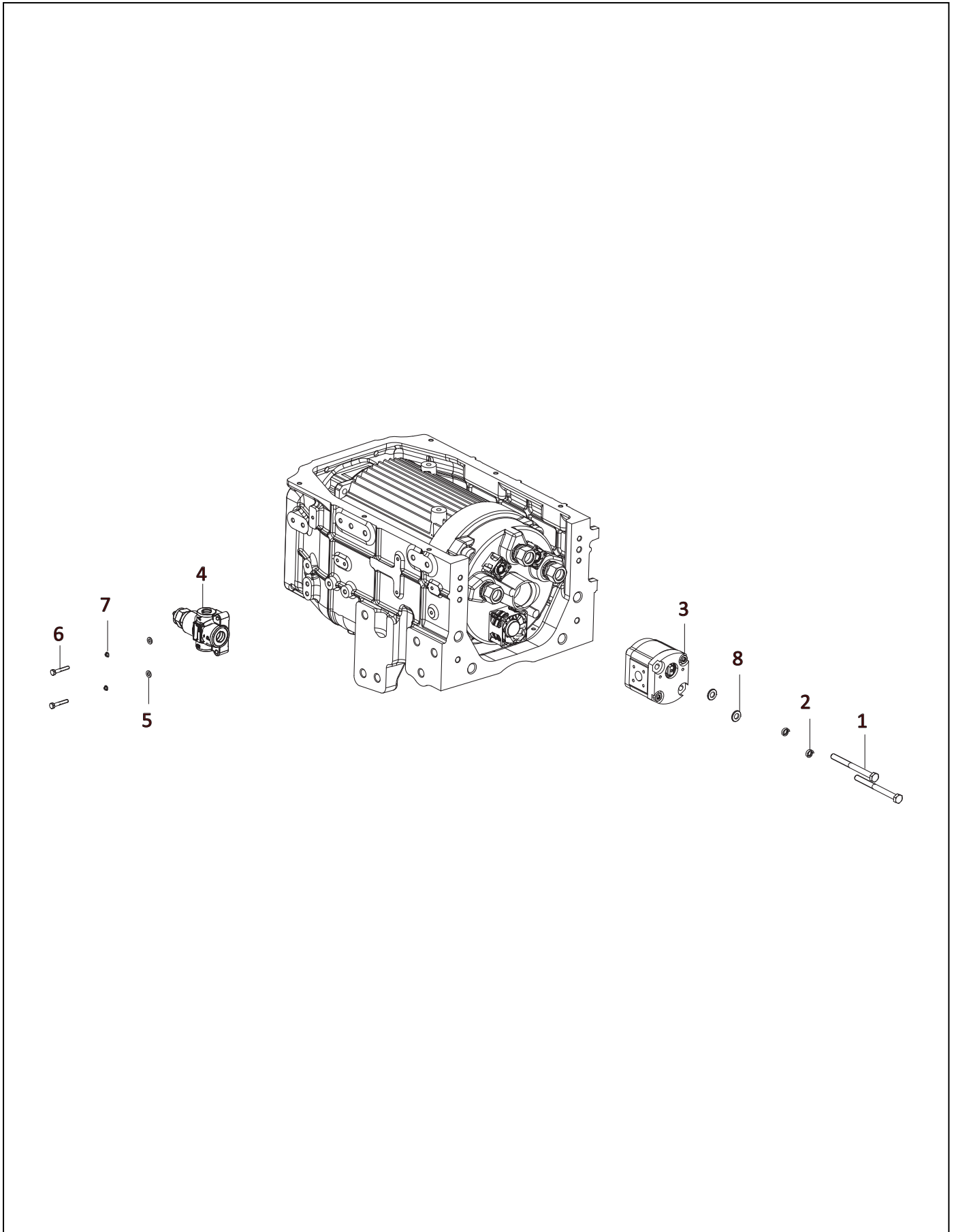


TABLE-59
PUMP HYDRAULIC LIFT AND MOTOR SUBASSEMBLY HYDRAULIC LIFT PUMP FOR CET-HST

| Fig. No. | Part No. | Description | Qty |
|----------|---------------|--|-----|
| 1 | D81500470.9 | BOLT M10X1.50X115 HEX HEAD | 2 |
| 2 | D86500050AC.9 | WASHER M10 SPRING LOCK | 2 |
| 3 | D11396010AA.9 | PUMP ASSEMBLY HYDRAULIC LIFT OIL (8CC) | 1 |
| 4 | D11376740AA.9 | VALVE ASSEMBLY HYDRAULIC CONTROL FIXED FLOW TYPE | 1 |
| 5 | D85500040.9 | WASHER M6 FLAT | 2 |
| 6 | D81500340.9 | BOLT M6X1.00X35-8.0 HEX HEAD | 2 |
| 7 | D86500040AC.9 | WASHER M6 SPRING LOCK | 2 |
| 8 | D85500010.9 | WASHER M10 FLAT | 2 |

TABLE-60
HYDRAULIC CONTROL SUBASSEMBLY

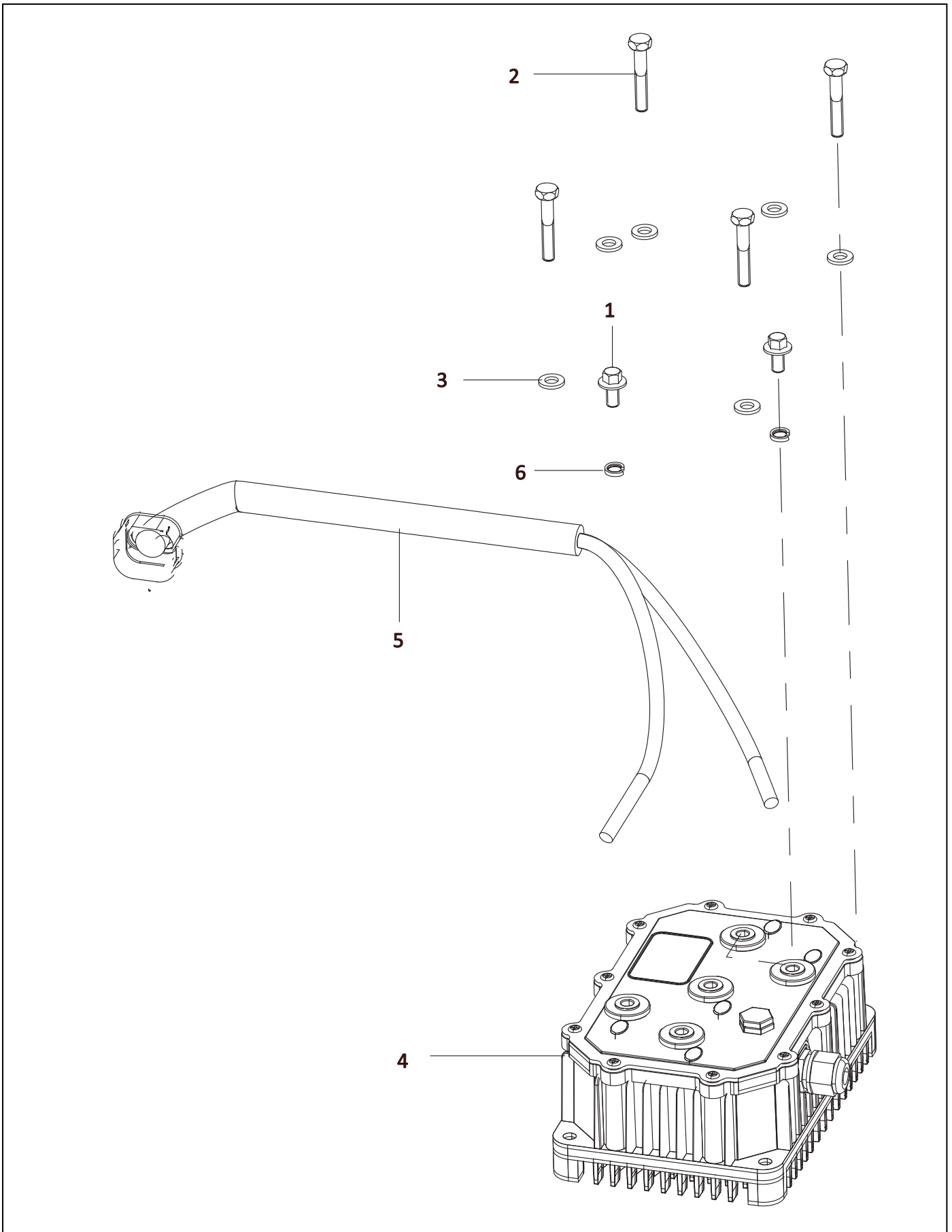


TABLE-60
HYDRAULIC CONTROL SUBASSEMBLY

| Fig. No. | Part No. | Description | Qty |
|----------|---------------|---|-----|
| 1 | D81502170.9 | BOLT M6X1.00X12-8.8 HEX HEAD FLANGED | 2 |
| 2 | D81500340.9 | BOLT M6X1.00X35-8.0 HEX HEAD | 4 |
| 3 | D85500040.9 | WASHER M6 FLAT | 6 |
| 4 | D11651030AA.9 | CONTROLLER ASSEMBLY KLS7218 | 1 |
| 5 | D10789940AC.9 | CABLE POWER ASSEMBLY ELECTRIC HYDRAULIC | 1 |
| 6 | D86500040AC.9 | WASHER M6 SPRING LOCK | 2 |

TABLE-61
LINKAGE THREE POINT SUBASSEMBLY

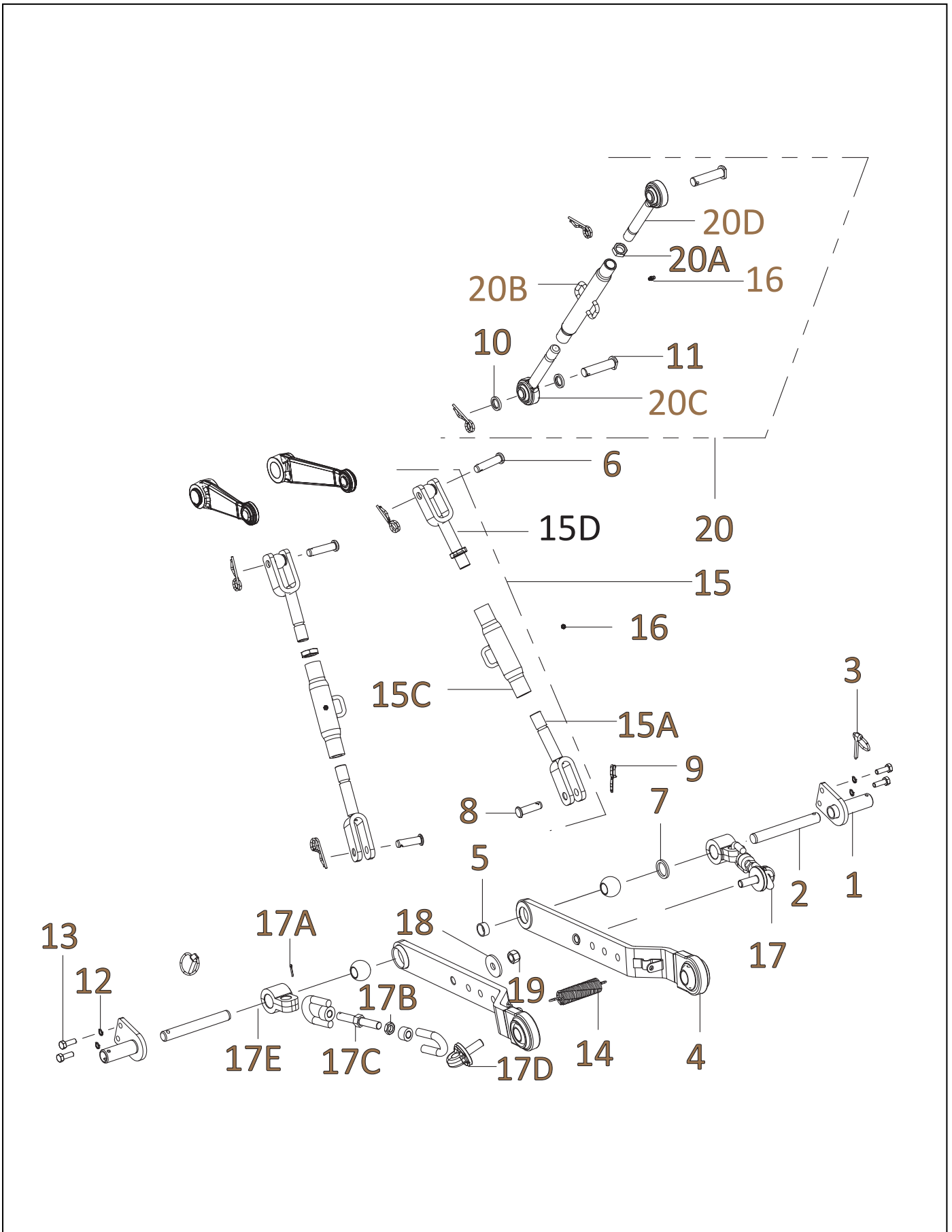


TABLE-61
LINKAGE THREE POINT SUBASSEMBLY

| Fig. No. | Part No. | Description | Qty |
|----------|---------------|---|-----|
| 1 | D10773380.9 | PIN ASSEMBLY LOWER LINK MOUNTING | 2 |
| 2 | D10773400.9 | PIN LOWER LINK MOUNTING | 2 |
| 3 | D10212630.9 | PIN LYNCH LOCKING ASSEMBLY | 2 |
| 4 | D10835740AB.9 | LINK ASSEMBLY HYDRAULIC LOWER LINK | 2 |
| 5 | D10551310.9 | WASHER M23X12.5 LOWER LINK MOUNTING | 2 |
| 6 | D10850740.9 | PIN UPPER HYDRAULIC LIFT LEVELING | 2 |
| 7 | D10551300.9 | WASHER M30X4.5 LOWER LINK MOUNTING | 2 |
| 8 | D10850750.9 | PIN LOWER HYDRAULIC LIFT LEVELING | 2 |
| 9 | D87500530.9 | PIN 4.0X75 SPRING R TYPE DOUBLE COIL (IS:6483) | 6 |
| 10 | D85500470.9 | WASHER M20X30X5.0 FLAT | 2 |
| 11 | D10554400.9 | PIN HYDRAULIC LIFT UPPER | 2 |
| 12 | D86500050AC.9 | WASHER M10 SPRING LOCK | 4 |
| 13 | D81502320.9 | BOLT M10X1.50X30-10.9 HEX HEAD | 4 |
| 14 | D10753620.9 | SPRING LOWER LINK HOLDING | 1 |
| 15 | D10848220.9 | ROD ASSEMBLY HYDRAULIC LIFT LEVELING | 2 |
| 15A | D10848300.9 | ROD AND FORK UPPER ASSEMBLY HYDRAULIC LIFT LEVELLING ROD LH | 1 |
| 15C | D10848270.9 | SLEEVE ASSEMBLY HYDRAULIC LIFT LEVELLING ROD | 2 |
| 15D | D10848230.9 | ROD AND FORK UPPER ASSEMBLY HYDRAULIC LIFT LEVELLING ROD RH | 2 |
| 16 | D92500010.9 | GREASE NIPPLE B M6 | 2 |
| 17 | D10835760AB.9 | CHAIN ASSEMBLY LOWER LIFT LINK CHECK | 2 |
| 17A | D88400260.9 | PIN 2.5X22.5 COTTER | 1 |
| 17B | D83501390AA.9 | NUT M16X2 LOCK | 1 |
| 17C | D11238910AA.9 | ROD THREADED LIFT LINK CHECK CHAIN | 1 |
| 17D | D11238930AA.9 | LINK ASSEMBLY RH CHECK CHAIN | 1 |
| 17E | D11238900AA.9 | LINK ASSEMBLY LH CHECK CHAIN | 1 |
| 18 | D86500250.9 | WASHER M16 FLAT DIA 50 | 2 |
| 19 | D83500980.9 | NUT M16X2.0X8.8 HEX NYLOCK | 2 |
| 20 | D10848120AB.9 | LINK ASSEMBLY HYDRAULIC UPPER LIFT | 1 |
| 20A | D10848210.9 | NUT M22X2.5X11 LOCK (RH THREAD) | 1 |
| 20B | D10848180.9 | SLEEVE ASSEMBLY HYDRAULIC UPPER LIFT LINK | 1 |
| 20C | D10848160AB.9 | LINK AND BALL ASSEMBLY HYDRAULIC LIFT UPPER RH | 1 |
| 20D | D10848130AB.9 | LINK AND BALL ASSEMBLY HYDRAULIC UPPER LH | 1 |

TABLE-62
SOCKET NORMAL CHARGING ASSEMBLY EU

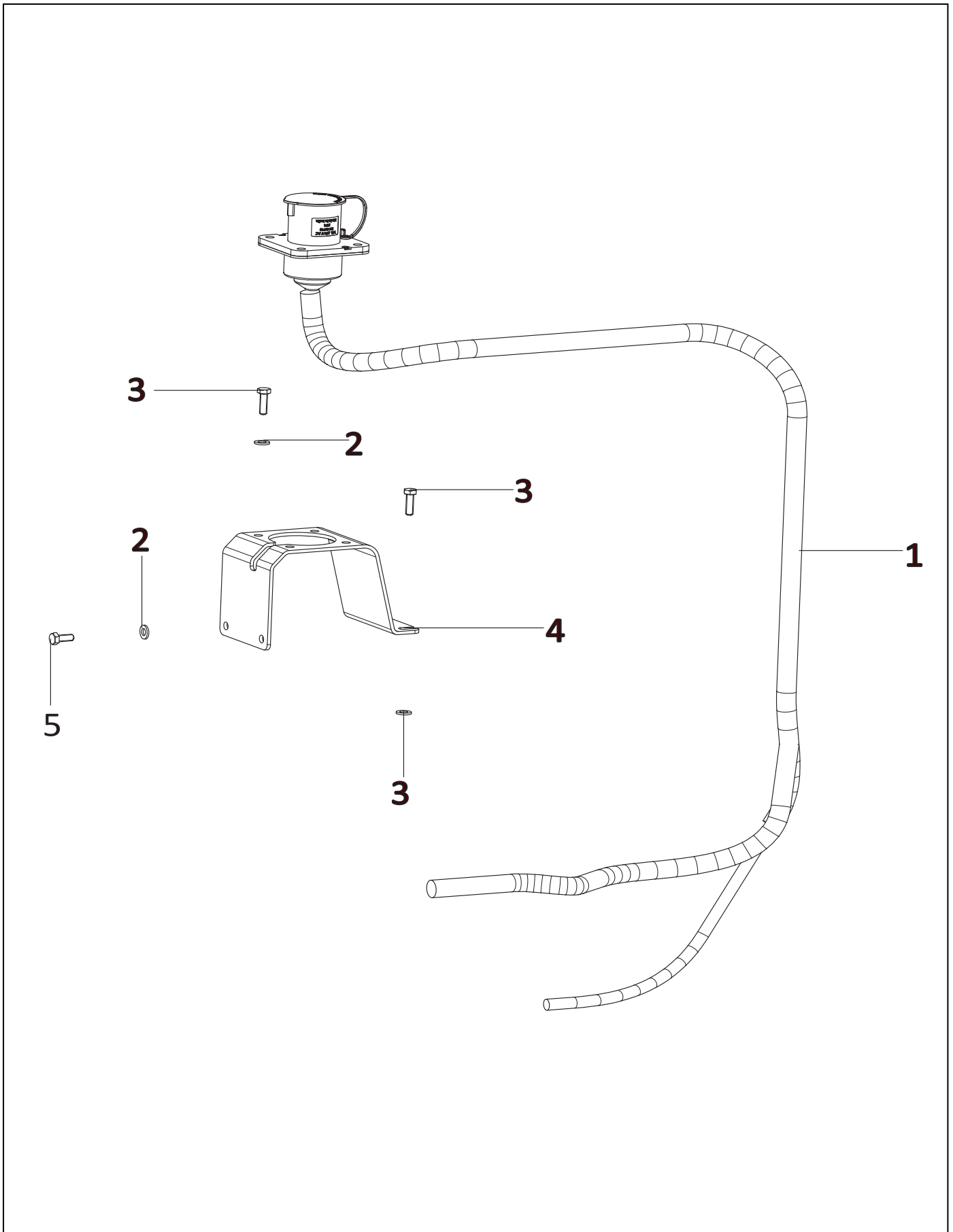


TABLE-62
SOCKET NORMAL CHARGING ASSEMBLY EU

| Fig. No. | Part No. | Description | Qty |
|----------|---------------|---|-----|
| 1 | D10789880AC.9 | HARNESS ASSEMBLY CHARGING SOCKET | 1 |
| 2 | D85500040.9 | WASHER M6 FLAT | 8 |
| 3 | D81500490.9 | BOLT M6X1.0X20-6G HEX HEAD | 6 |
| 4 | D10793050AC.9 | BRACKET MOUNTING CHARGING PLUG HOOD FRONT | 1 |
| 5 | D82500220.9 | SCREW M6X1.00X15-8.8 HEX HEAD | 2 |

TABLE-63
HARNES SUBASSEMBLY CET-HST(USA)

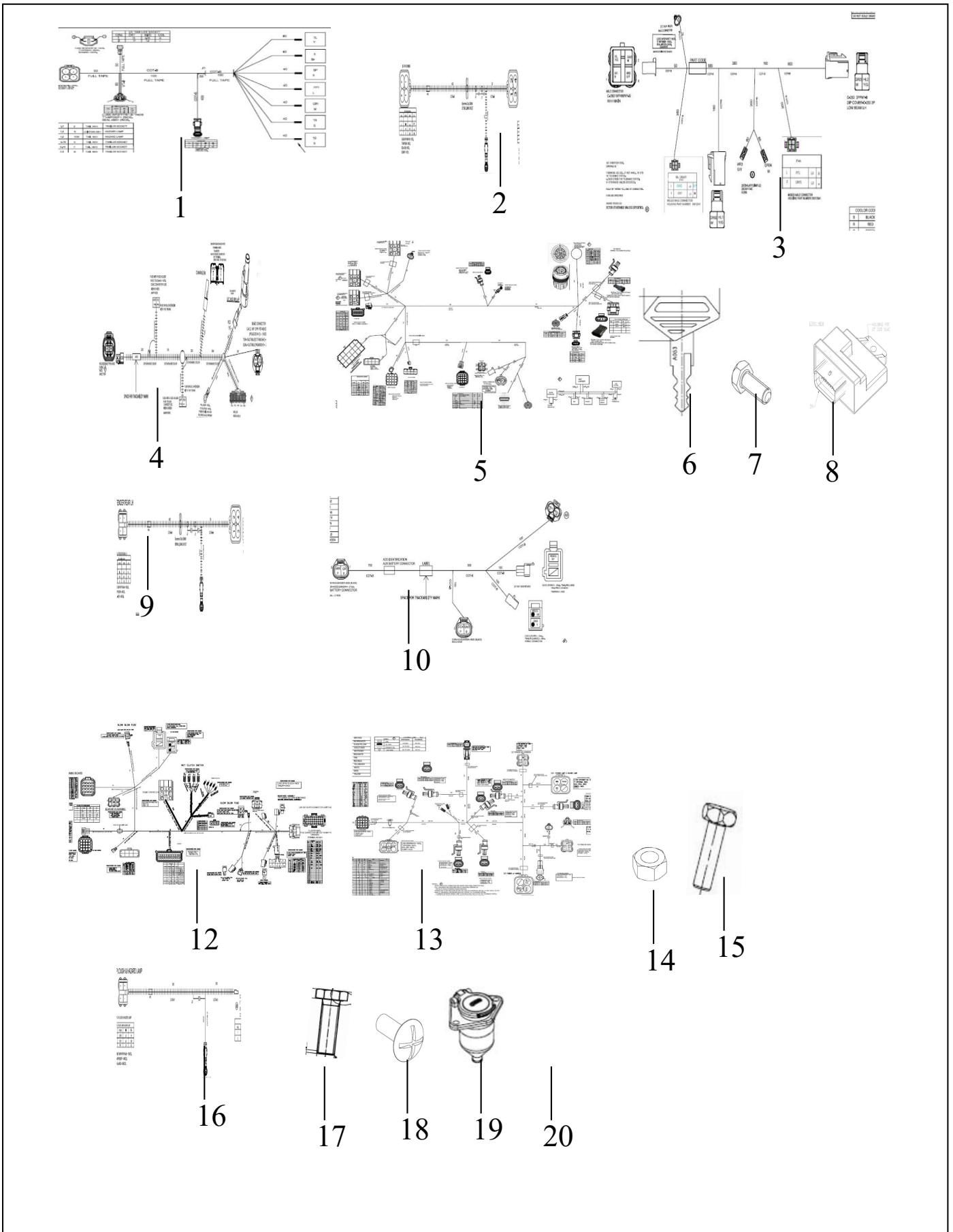


TABLE-63
HARNESS SUBASSEMBLY CET-HST(USA)

| Fig. No. | Part No. | Description | Qty |
|----------|---------------|--|-----|
| 1 | D11076370AA.9 | HARNESS ASSEMBLY TRAILER SOCKET | 1 |
| 2 | D10605810.9 | HARNESS ASSEMBLY FENDER RH | 1 |
| 3 | D10822260BC.9 | HARNESS ASSEMBLY PROJECTOR LAMP | 1 |
| 4 | D11373020AA.9 | HARNESS ASSEMBLY E-BOX TO CHARGER (CET-HST) | 1 |
| 5 | D11330040AB.9 | HARNESS ASSEMBLY MAIN (USA) | 1 |
| 6 | D10506920.9 | KEY IGNITION LOCK FARMTRAC | 1 |
| 7 | D82500220.9 | SCREW M6X1.00X15-8.8 HEX HEAD | 3 |
| 8 | D10605760.9 | FLASHER ASSEMBLY INDICATOR LIGHT (USA) | 1 |
| 9 | D10605800.9 | HARNESS ASSEMBLY FENDER LH | 1 |
| 10 | D11375690AA.9 | HARNESS ASSEMBLY AUXILLARY BATTERY(CET-HST) | 1 |
| 12 | D11330410AB.9 | HARNESS ASSEMBLY INSTRUMENT PANEL (USA) | 1 |
| 13 | D11330440AC.9 | HARNESS ASSEMBLY INSTRUMENT PANEL TO RUNNING BOARD (USA) | 1 |
| 14 | D83500220.9 | NUT M6X1.00-5 HEX | 2 |
| 15 | D10034950.9 | SCREW M6X1.00X20-6.6 HEX HEAD | 2 |
| 16 | D10606100AB.9 | HARNESS PLOUGH LAMP AND HAZARD LAMP | 1 |
| 17 | D82500040.9 | SCREW M8X1.25X20-8.8 HEX HEAD | 1 |
| 18 | D82501190.9 | SCREW M6X1.0X16 TRUSS HEAD CROSS SLOTTED | 2 |
| 19 | D10497580.9 | SOCKET ASSEMBLY TRAILER ELECTRICAL (7 PIN) | 1 |
| 20 | D85500040.9 | WASHER M6 FLAT | 3 |

TABLE-64
PLATE AND GUIDE RAIL ASSEMBLY BATTERY BOX

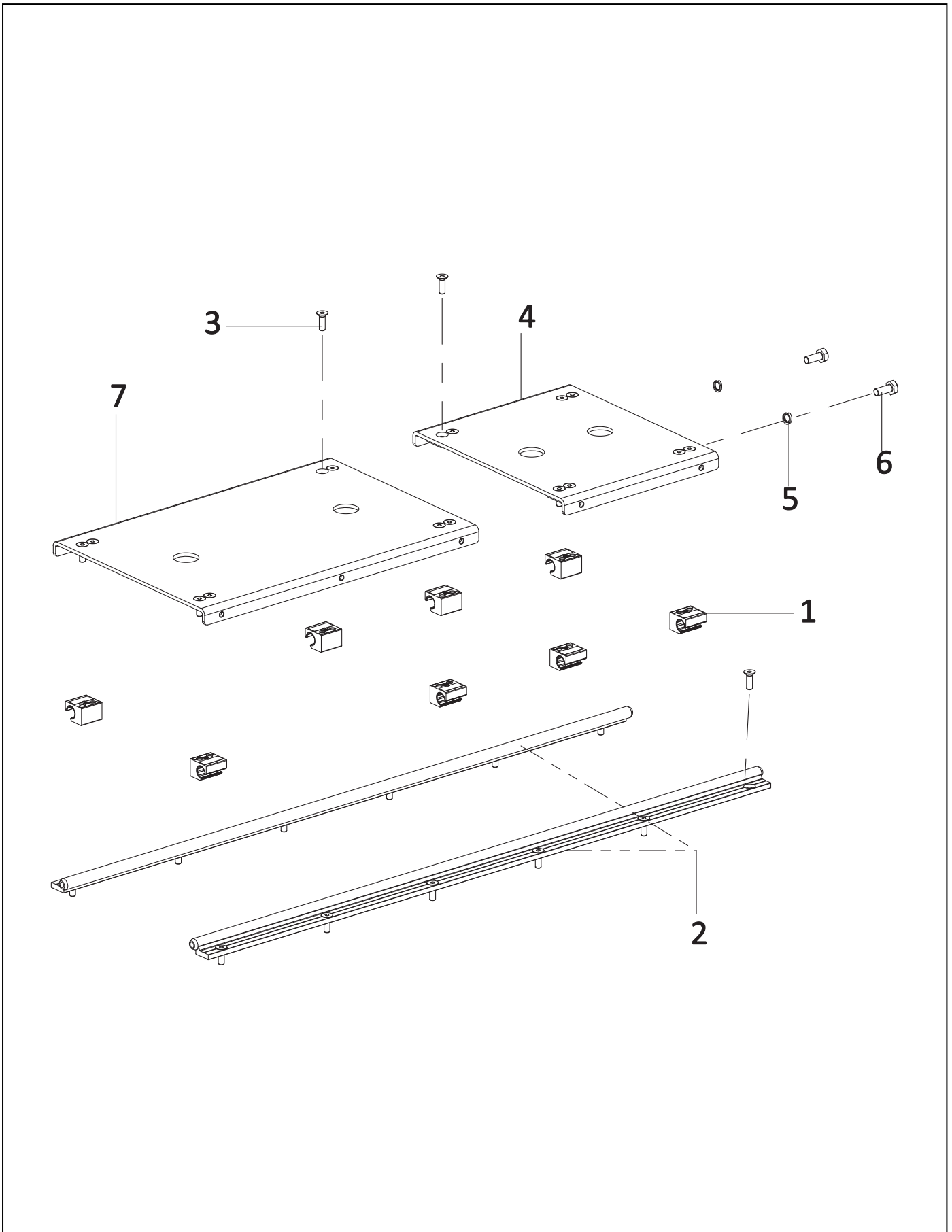


TABLE-64
PLATE AND GUIDE RAIL ASSEMBLY BATTERY BOX

| Fig. No. | Part No. | Description | Qty |
|----------|---------------|---|-----|
| 1 | D10793540AB.9 | GUIDE BLOCK (IGUS) | 8 |
| 2 | D10793530.9 | GUIDE RAIL (IGUS) | 2 |
| 3 | D82500760.9 | SCREW M8X1.25X25-12.9 COUNTERSUNK HEAD | 28 |
| 4 | D11711230AA.9 | PLATE ASSEMBLY BATTERY BOX MOUNTING FRONT | 1 |
| 5 | D86500050AC.9 | WASHER M10 SPRING LOCK | 2 |
| 6 | D81500280.9 | BOLT M10X1.50X25-6G HEX HEAD (CARRARO PART NO 127922) | 2 |
| 7 | D11711220AB.9 | PLATE ASSEMBLY BATTERY BOX MOUNTING REAR | 1 |

TABLE-65
BOX ELECTRONIC AND CONTROLLER SUBASSEMBLY

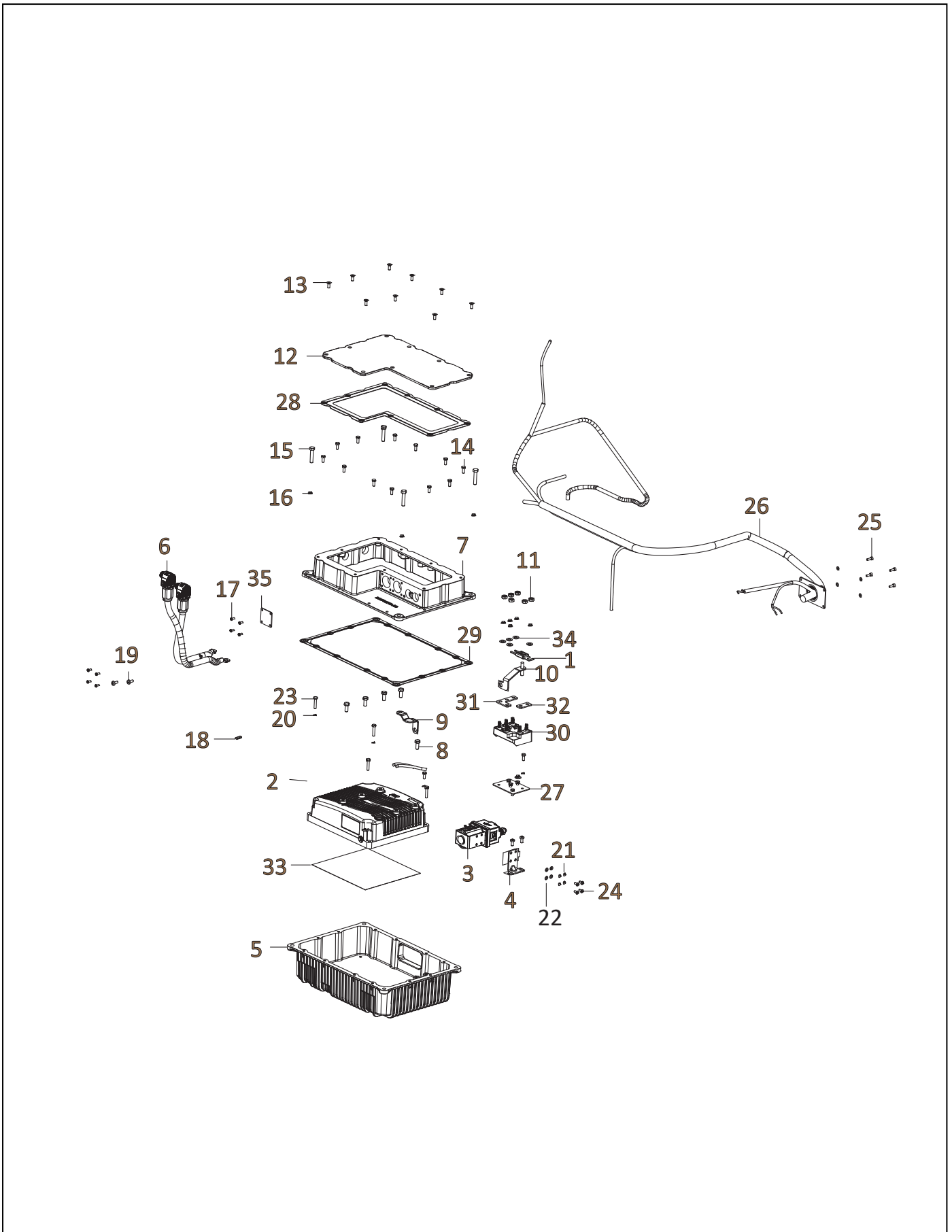


TABLE-65
BOX ELECTRONIC AND CONTROLLER SUBASSEMBLY

| Fig. No. | Part No. | Description | Qty |
|----------|---------------|---|-----|
| 1 | D10757670.9 | FUSE 355A BATTERY CUT OFF | 1 |
| 2 | D10655810.9 | CONTROLLER ASSEMBLY 1238E | 1 |
| 3 | D10757690.9 | CONTACTOR MAIN ASSEMBLY SW200 | 1 |
| 4 | D10774230.9 | BRACKET CONTACTOR MOUNTING | 1 |
| 5 | D10793670AD.9 | HOUSING ECU BOX MOUNTING LOWER | 1 |
| 6 | D10774220AD.9 | CABLE ASSEMBLY BATTERY BOX TO ELECTRONIC BOX | 1 |
| 7 | D10793690AE.9 | HOUSING ECU BOX MOUNTING UPPER | 1 |
| 8 | D81500110.9 | BOLT M8X1.25X20-8.8 HEX HEAD | 5 |
| 9 | D10774200.9 | BUSBAR CONTACTOR TO CONTROLLER | 1 |
| 10 | D10774190.9 | BUSBAR CONTACTOR TO FUSE | 1 |
| 11 | D83500060.9 | NUT M8X1.25-6 HEX | 6 |
| 12 | D10793710AD.9 | COVER ECU BOX MOUNTING TOP | 1 |
| 13 | D82501380AC.9 | SCREW M6X1.0X15-10.9 COUNTERSUNK HEAD | 9 |
| 14 | D82500220.9 | SCREW M6X1.00X15-8.8 HEX HEAD | 18 |
| 15 | D81503440.9 | BOLT M8X1.25X40-10.9 HEX HEAD | 4 |
| 16 | D86500030AC.9 | WASHER M8 SPRING LOCK | 10 |
| 17 | D10016990.9 | SCREW M4X0.70X10 | 8 |
| 18 | D10774210AC.9 | HARNESS ASSEMBLY ELECTRONIC BOX PIGTAIL | 1 |
| 19 | D10392470.9 | SCREW M6 CROSS RECESSED | 4 |
| 20 | D86500040AC.9 | WASHER M6 SPRING LOCK | 10 |
| 21 | D85500090.9 | WASHER M5 FLAT | 8 |
| 22 | D86500010.9 | WASHER M5 SPRING LOCK | 4 |
| 23 | D82500020.9 | SCREW M6X1.00X30-5D HEX HEAD | 4 |
| 24 | D82501220.9 | SCREW M5X0.80X9.0 CROSS RECESSED PAN HEAD | 4 |
| 25 | D82500920AB.9 | SCREW M5X0.8X15 ALLEN | 4 |
| 26 | D11330390AD.9 | HARNESS ASSEMBLY ELECTRONIC CONTROL (CET-HST) | 1 |
| 27 | D11004980AA.9 | PLATE INSULATOR MOUNTING | 1 |
| 28 | D11013260AA.9 | GASKET ECU BOX MOUNTING TOP | 1 |
| 29 | D11013270AA.9 | GASKET ECU BOX MOUNTING CENTRE | 1 |
| 30 | D11004960AA.9 | INSULATOR FUSE MOUNTING | 1 |
| 31 | D10980310AA.9 | BRACKET BUS BAR PDU | 1 |
| 32 | D11012440AA.9 | BRACKET BUS BAR PDU | 1 |
| 33 | D11074180AA.9 | PAD THERMALLY CONDUCTIVE FOR MOTOR CONTROLLER | 1 |
| 34 | D85500050.9 | WASHER M8 FLAT | 6 |
| 35 | D11380100AA.9 | PLATE COVER ECU BOX | 1 |

TABLE-66
LIGHT REAR SUB ASSEMBLY(USA)

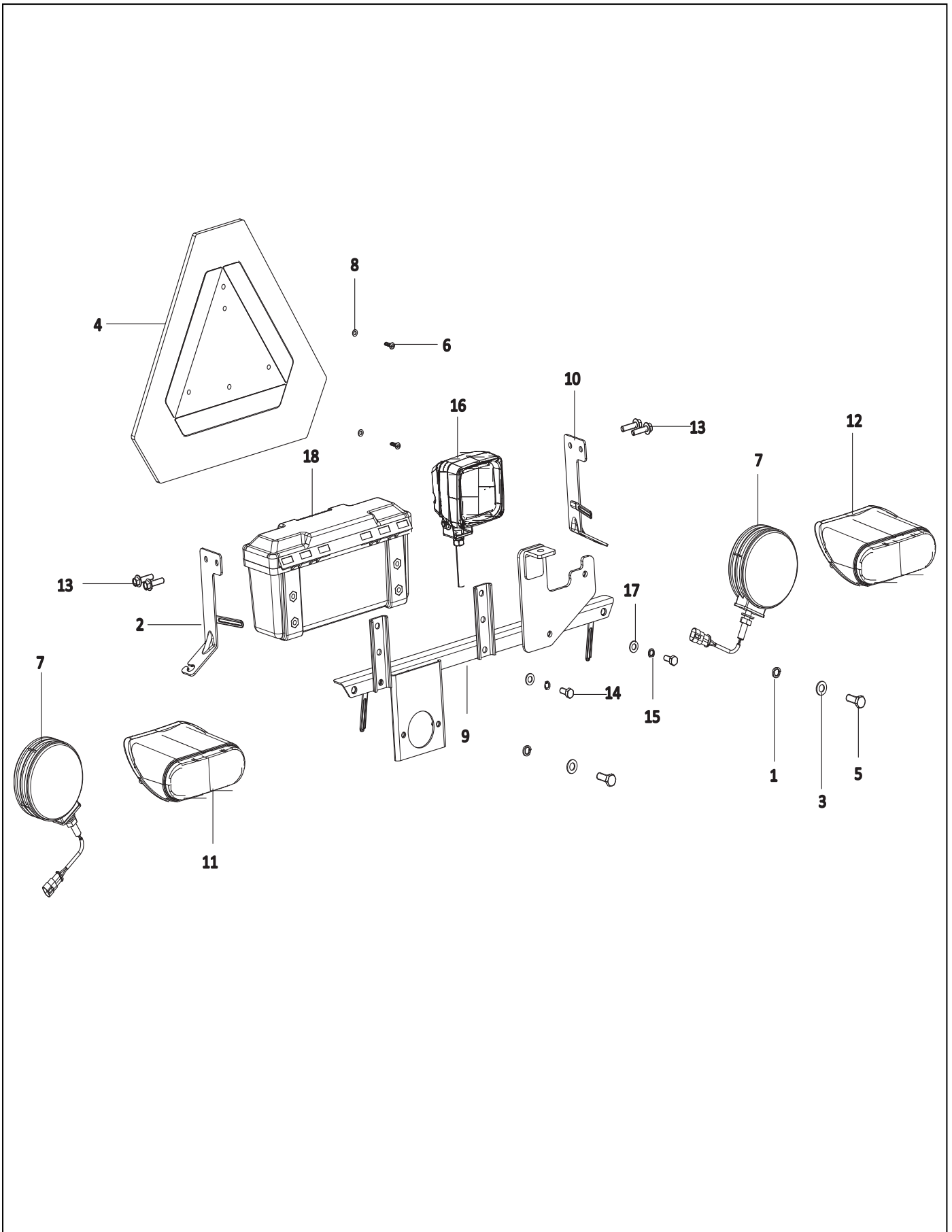


TABLE-66
LIGHT REAR SUB ASSEMBLY(USA)

| Fig. No. | Part No. | Description | Qty |
|----------|---------------|---|-----|
| 1 | D86500050AC.9 | WASHER M10 SPRING LOCK | 2 |
| 2 | D10578420AC.9 | BRACKET REAR LIGHT MOUNTING ROPS LH | 1 |
| 3 | D85500140.9 | WASHER M10 FLAT | 2 |
| 4 | D10511460.9 | EMBLEM SLOW MOVING VEHICLE | 1 |
| 5 | D81500060.9 | BOLT M10X1.50X30-8.8 HEX HEAD | 2 |
| 6 | D10216680.9 | SCREW M5X0.80X20 CROSS RECESSED PAN HEAD | 2 |
| 7 | D10601250.9 | LAMP ASSEMBLY HAZARD | 2 |
| 8 | D85500090.9 | WASHER M5 FLAT | 2 |
| 9 | D11608510AB.9 | BRACKET ASSEMBLY SUPPORT FENDER (WITH ROPS) | 1 |
| 10 | D10602010AC.9 | BRACKET REAR LIGHT MOUNTING ROPS RH | 1 |
| 11 | D10601220.9 | LAMP ASSEMBLY FENDER REAR LH (LED) | 1 |
| 12 | D10601210.9 | LAMP ASSEMBLY FENDER REAR RH (LED) | 1 |
| 13 | D81502240.9 | BOLT M8X1.25X30-10.9 HEX HEAD FLANGED | 4 |
| 14 | D81500110.9 | BOLT M8X1.25X20-8.8 HEX HEAD | 2 |
| 15 | D86500030AC.9 | WASHER M8 SPRING LOCK | 2 |
| 16 | D11627840AA.9 | LAMP ASSEMBLY PLOUGH | 1 |
| 17 | D85500050.9 | WASHER M8 FLAT | 2 |
| 18 | D10568790AC.9 | BOX ASSEMBLY TOOL COMPACT (PLASTIC) | 1 |

TABLE-67
DASHBOARD LOWER AND BATTERY SIDE COVER SUB ASSEMBLY

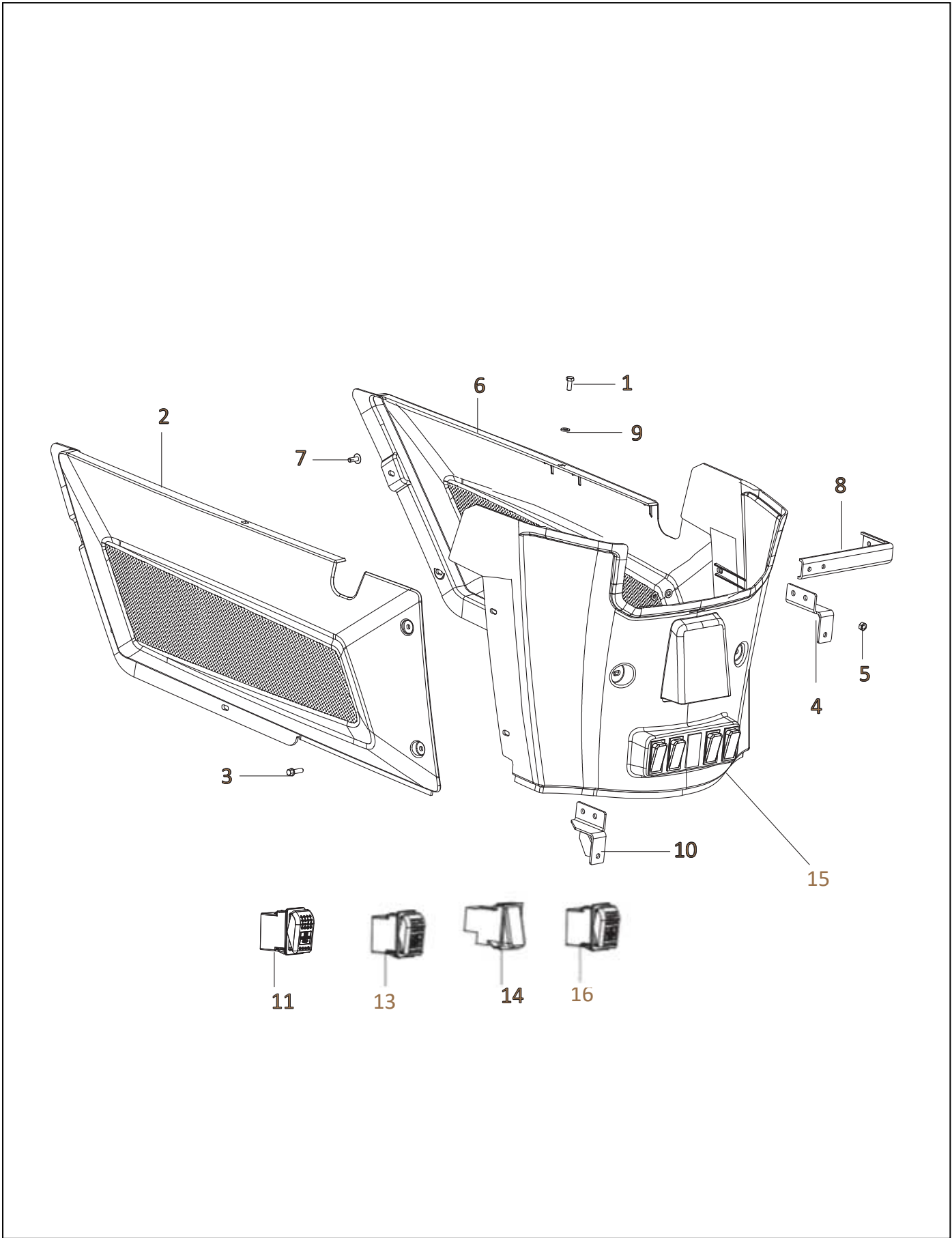


TABLE-67
DASHBOARD LOWER AND BATTERY SIDE COVER SUB ASSEMBLY

| Fig. No. | Part No. | Description | Qty |
|----------|---------------|--|-----|
| 1 | D82500220.9 | SCREW M6X1.00X15-8.8 HEX HEAD | 10 |
| 2 | D10791610.9 | BATTERY BOX SIDE COVER RH | 1 |
| 3 | D10011090.9 | BOLT M6X1.00X20-6.6 HEX FLANGED (LUBE OIL PUMP) | 4 |
| 4 | D10796990.9 | BRACKET ASSEMBLY LOWER MOUNTING DASH BOARD REAR LH | 2 |
| 5 | D83500220.9 | NUT M6X1.00-5 HEX | 5 |
| 6 | D10791600.9 | BATTERY BOX SIDE COVER LH | 1 |
| 7 | D82501190.9 | SCREW M6X1.0X16 TRUSS HEAD CROSS SLOTTED | 8 |
| 8 | D10796970.9 | BRACKET ASSEMBLY LOWER MOUNTING DASH BOARD FRONT | 2 |
| 9 | D85500040.9 | WASHER M6 FLAT | 10 |
| 10 | D10797020.9 | BRACKET ASSEMBLY LOWER MOUNTING DASH BOARD REAR RH | 1 |
| 11 | D10768830.9 | SWITCH ASSEMBLY CRUISE CONTROL | 1 |
| 13 | D10609160.9 | SWITCH ASSEMBLY WET CLUTCH | 1 |
| 14 | D11330720AA.9 | SWITCH DRIVE ON-OFF SWITCH | 1 |
| 15 | D10791580.9 | COVER DASHBOARD LOWER | 1 |
| 16 | D10842940.9 | SWITCH ASSEMBLY HAZARD | 1 |

TABLE-68
MOTOR AND HOUSING SUBASSEMBLY

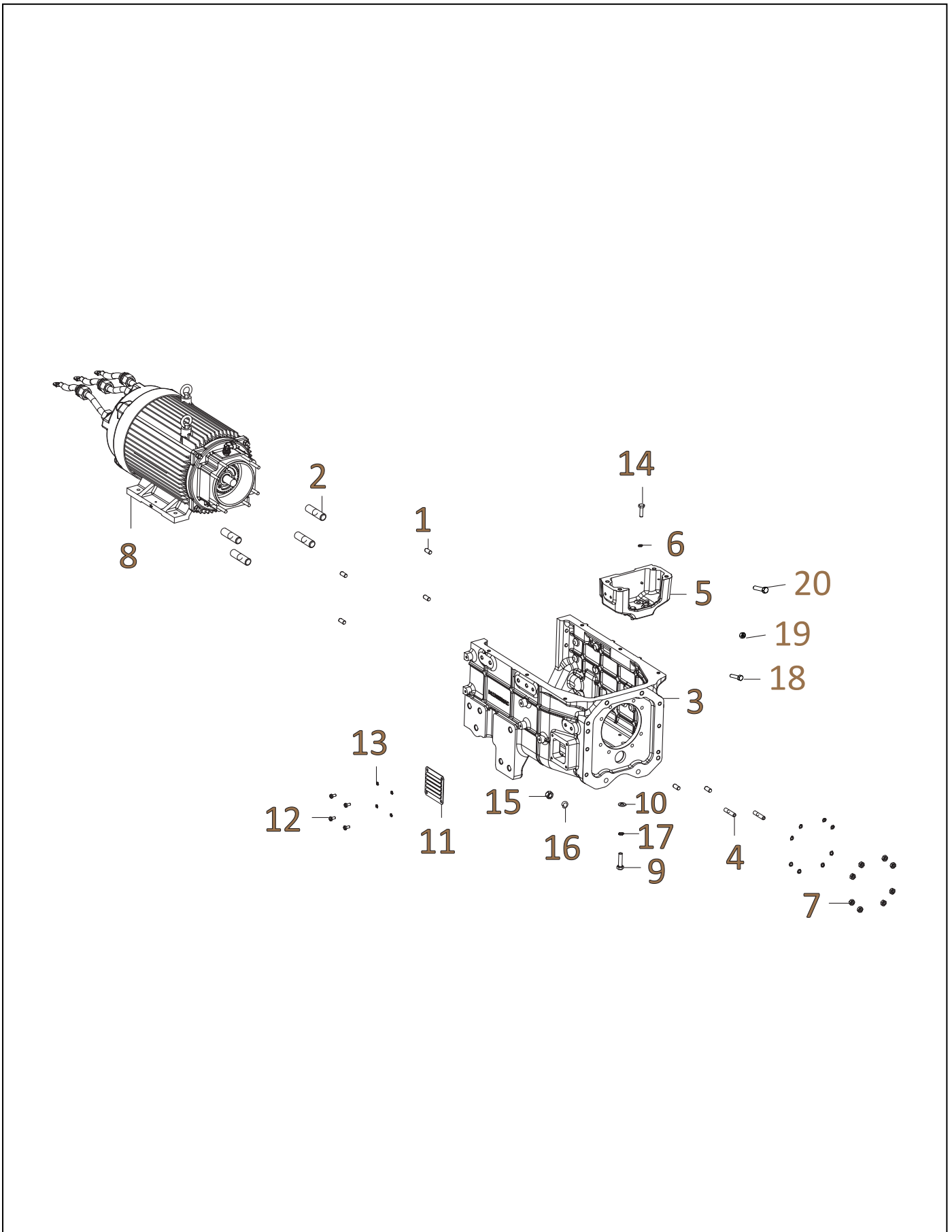


TABLE-68
MOTOR AND HOUSING SUBASSEMBLY

| Fig. No. | Part No. | Description | Qty |
|----------|---------------|---|-----|
| 1 | D87500030.9 | PIN 10X22 DOWEL | 6 |
| 2 | D10010000AC.9 | STUD B M20X45.5-8.8P FRONT AXLE SUPPORT | 4 |
| 3 | D11360500AC.9 | HOUSING MOTOR MOUNTING | 1 |
| 4 | D84500350.9 | STUD M10X1.5X48-10.9 | 2 |
| 5 | D11366660AB.9 | COVER HOUSING MOTOR MOUNTING | 1 |
| 6 | D86500030AC.9 | WASHER M8 SPRING LOCK | 12 |
| 7 | D83500060.9 | NUT M8X1.25-6 HEX | 8 |
| 8 | D11393550AA.9 | MOTOR ASSEMBLY POWER TRANSMISSION 15KW | 1 |
| 9 | D81500010.9 | BOLT M10X1.50X40-8.8 HEX HEAD | 4 |
| 10 | D85500140.9 | WASHER M10 FLAT | 4 |
| 11 | D10805630.9 | COVER MOTOR HOUSING AIR EXHAUST BATTERY BOX | 1 |
| 12 | D82500770.9 | SCREW M6X1.00X12-6.6 HEX HEAD SLOTTED | 4 |
| 13 | D86500040AC.9 | WASHER M6 SPRING LOCK | 4 |
| 14 | D81500310.9 | SCREW M8X1.25X30-8.8 HEX HEAD | 4 |
| 15 | D83501120.9 | NUT M12X1.25-10.9 HEX HEAD | 2 |
| 16 | D86500020.9 | WASHER M12 SPRING LOCK | 4 |
| 17 | D86500050AC.9 | WASHER M10 SPRING LOCK | 10 |
| 18 | D82500520.9 | SCREW M10X1.5X35-10.9 HEX HEAD | 4 |
| 19 | D83500130.9 | NUT M10X1.50-10P HEX | 2 |
| 20 | D81501550.9 | BOLT M12X1.75X40-10.9 HEX HEAD | 2 |

TABLE-69
BATTERY CUTOFF SUBASSEMBLY

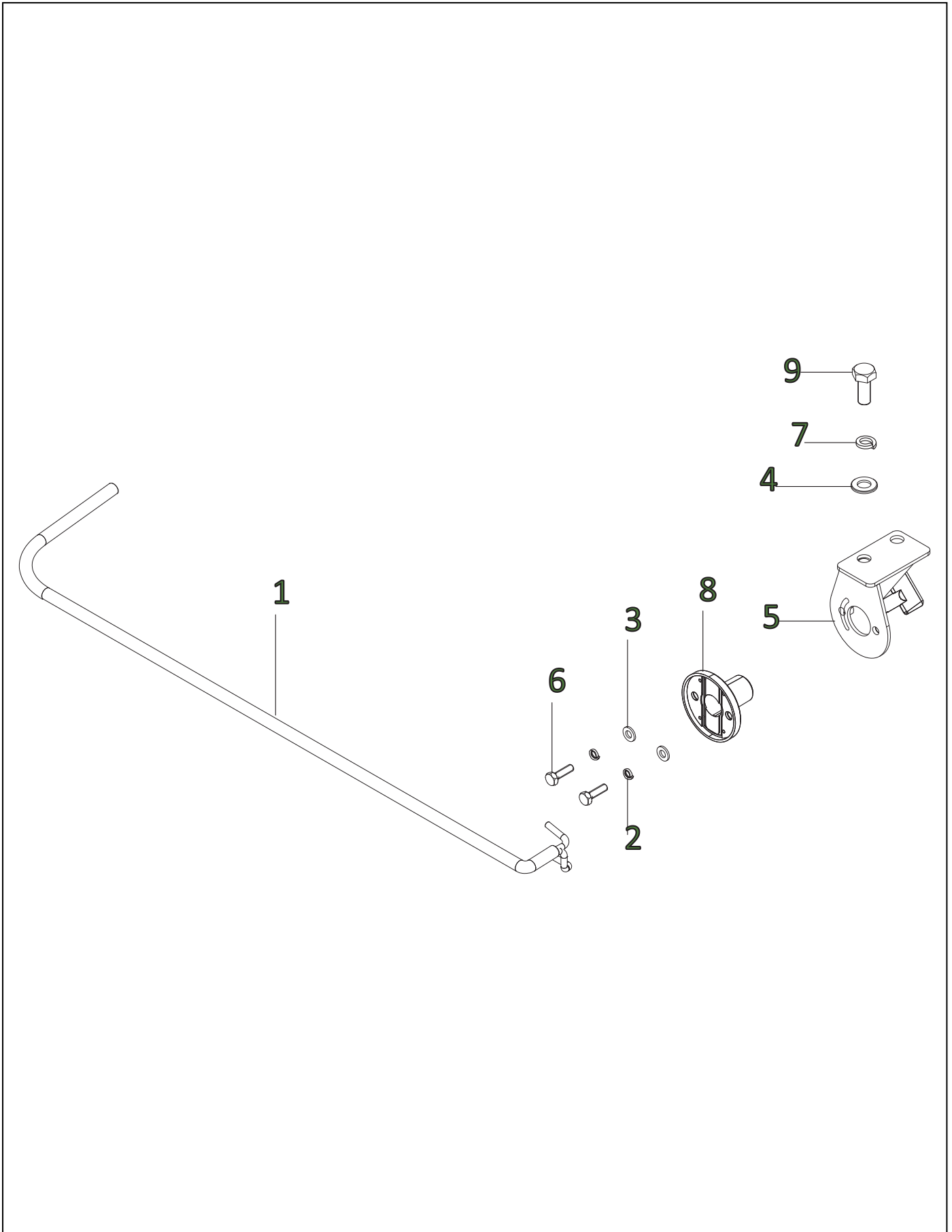


TABLE-69**BATTERY CUTOFF SUBASSEMBLY**

| Fig. No. | Part No. | Description | Qty |
|-----------------|-----------------|---|------------|
| 1 | D11491120AB.9 | HARNESS PIGTAIL 12V BATTERY DISCONNECT SWITCH | 1 |
| 2 | D86500040AC.9 | WASHER M6 SPRING LOCK | 2 |
| 3 | D85500040.9 | WASHER M6 FLAT | 2 |
| 4 | D85500010.9 | WASHER M10 FLAT | 2 |
| 5 | D11499010AA.9 | BRACKET ASSEMBLY BATTERY CUT OFF SWITCH | 1 |
| 6 | D10034950.9 | SCREW M6X1.00X20-6.6 HEX HEAD | 2 |
| 7 | D86500090.9 | WASHER M10 SPRING LOCK | 2 |
| 8 | D11506330AB.9 | BATTERY CUT-OFF SWITCH (12V) | 1 |
| 9 | D81500280.9 | BOLT M10X1.50X25-6G HEX HEAD (CARRARO PART NO 127922) | 2 |

TABLE-70
HEADLAMP AND BRACKET MOUNTING ASSEMBLY LHD

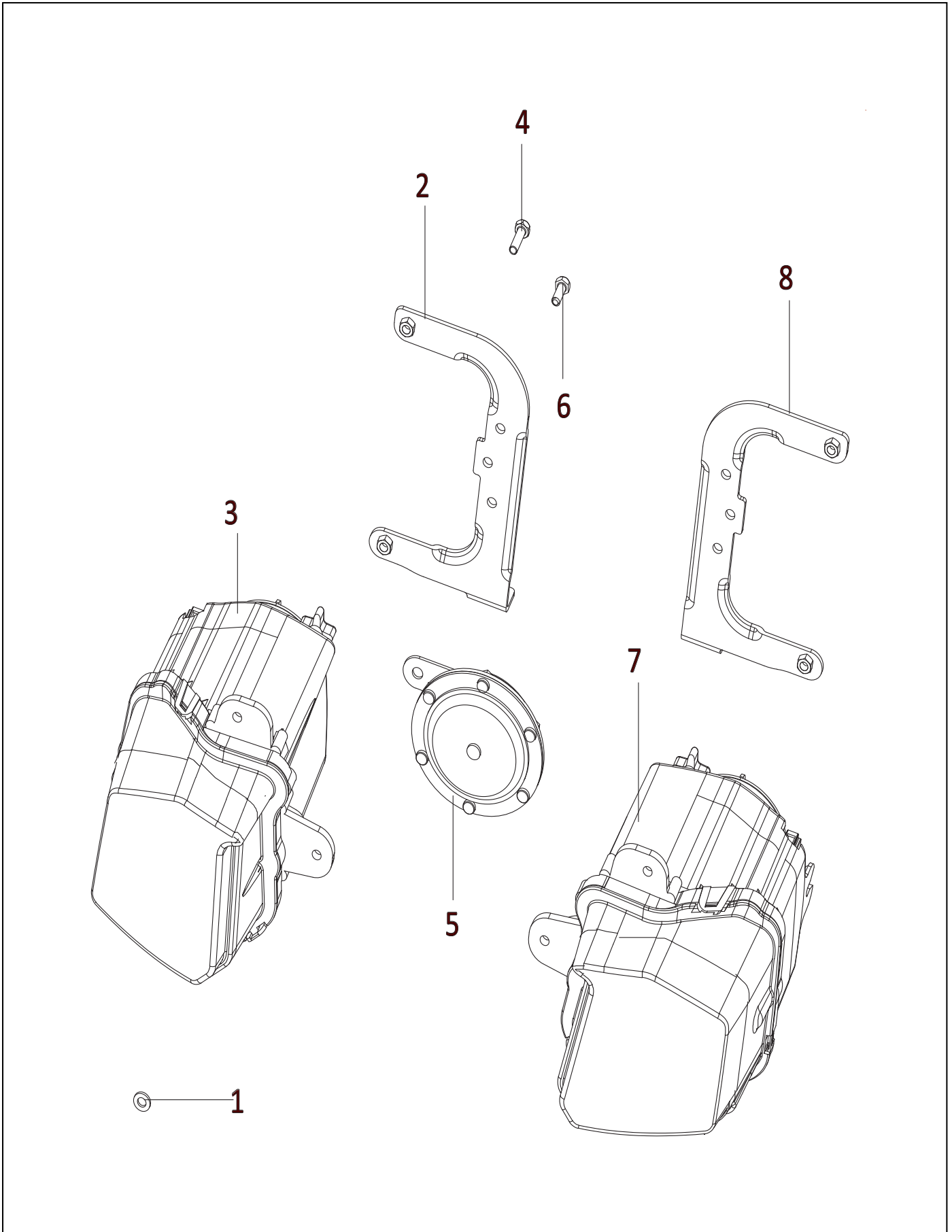


TABLE-70
HEADLAMP AND BRACKET MOUNTING ASSEMBLY LHD

| Fig. No. | Part No. | Description | Qty |
|----------|-------------|-------------------------------------|-----|
| 1 | D85500040.9 | WASHER M6 FLAT | 12 |
| 2 | D10575640.9 | BRACKET HEAD LAMP MOUNTING FRAME LH | 1 |
| 3 | D10570590.9 | HEAD LAMP ASSEMBLY LHD (LH) | 1 |
| 4 | D10034950.9 | SCREW M6X1.00X20-6.6 HEX HEAD | 8 |
| 5 | D10028020.9 | HORN AND BRACKET ASSEMBLY | 1 |
| 6 | D82500220.9 | SCREW M6X1.00X15-8.8 HEX HEAD | 4 |
| 7 | D10570600.9 | HEAD LAMP ASSEMBLY LHD (RH) | 1 |
| 8 | D10575650.9 | BRACKET HEAD LAMP MOUNTING FRAME RH | 1 |

TABLE-71
BOX BATTERY AND GUIDE RAIL SUBASSEMBLY

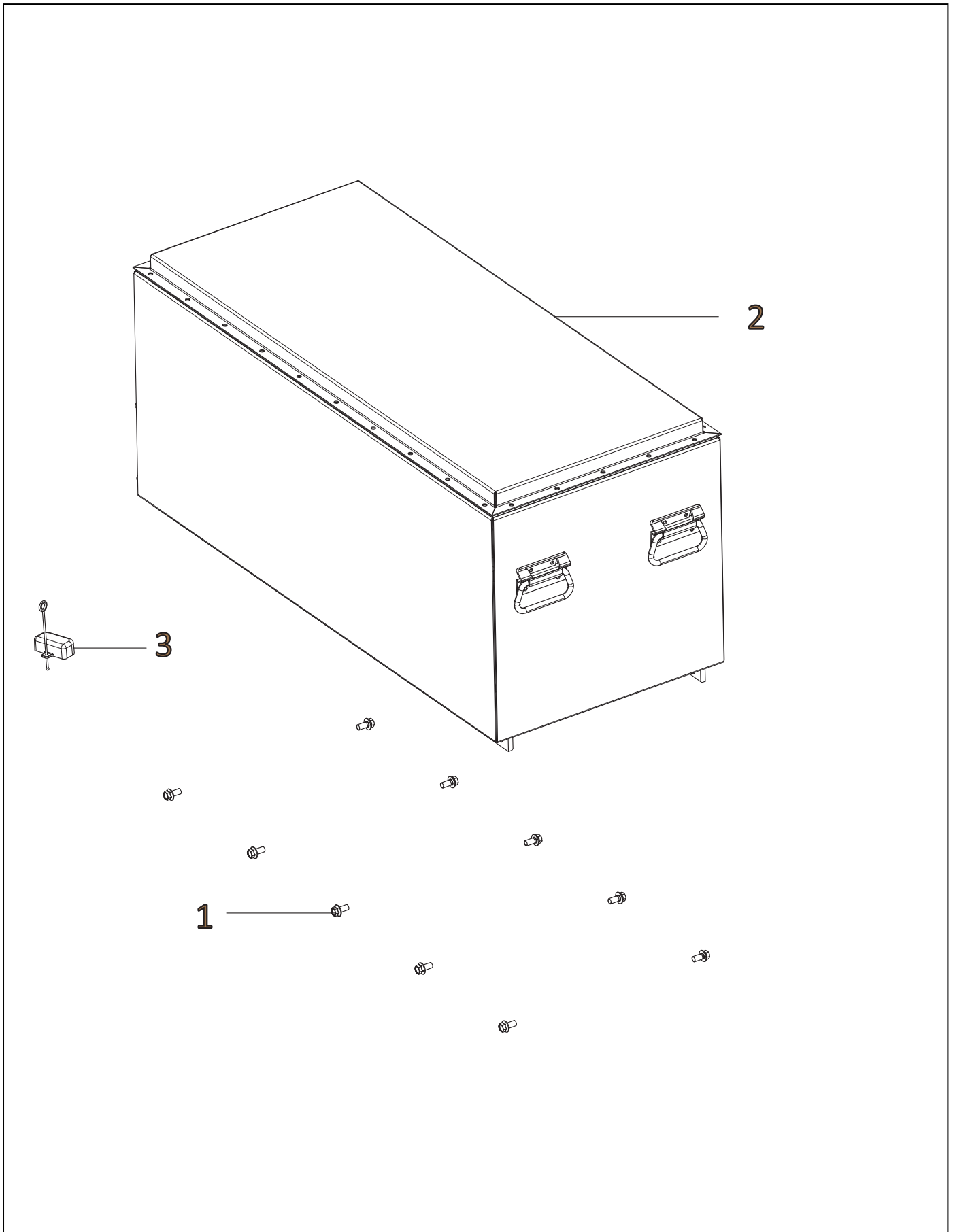


TABLE-71
BOX BATTERY AND GUIDE RAIL SUBASSEMBLY

| Fig. No. | Part No. | Description | Qty |
|----------|---------------|----------------------------------|-----|
| 1 | D81501580.9 | BOLT M8X1.25X16 HEX HEAD FLANGED | 10 |
| 2 | D10809930AD.9 | BOX ASSEMBLY BATTERY (73V 350AH) | 1 |
| 3 | D11259770AA.9 | COVER ASSEMBLY DUST | 1 |

TABLE-72
COVER CHARGER SUBASSEMBLY

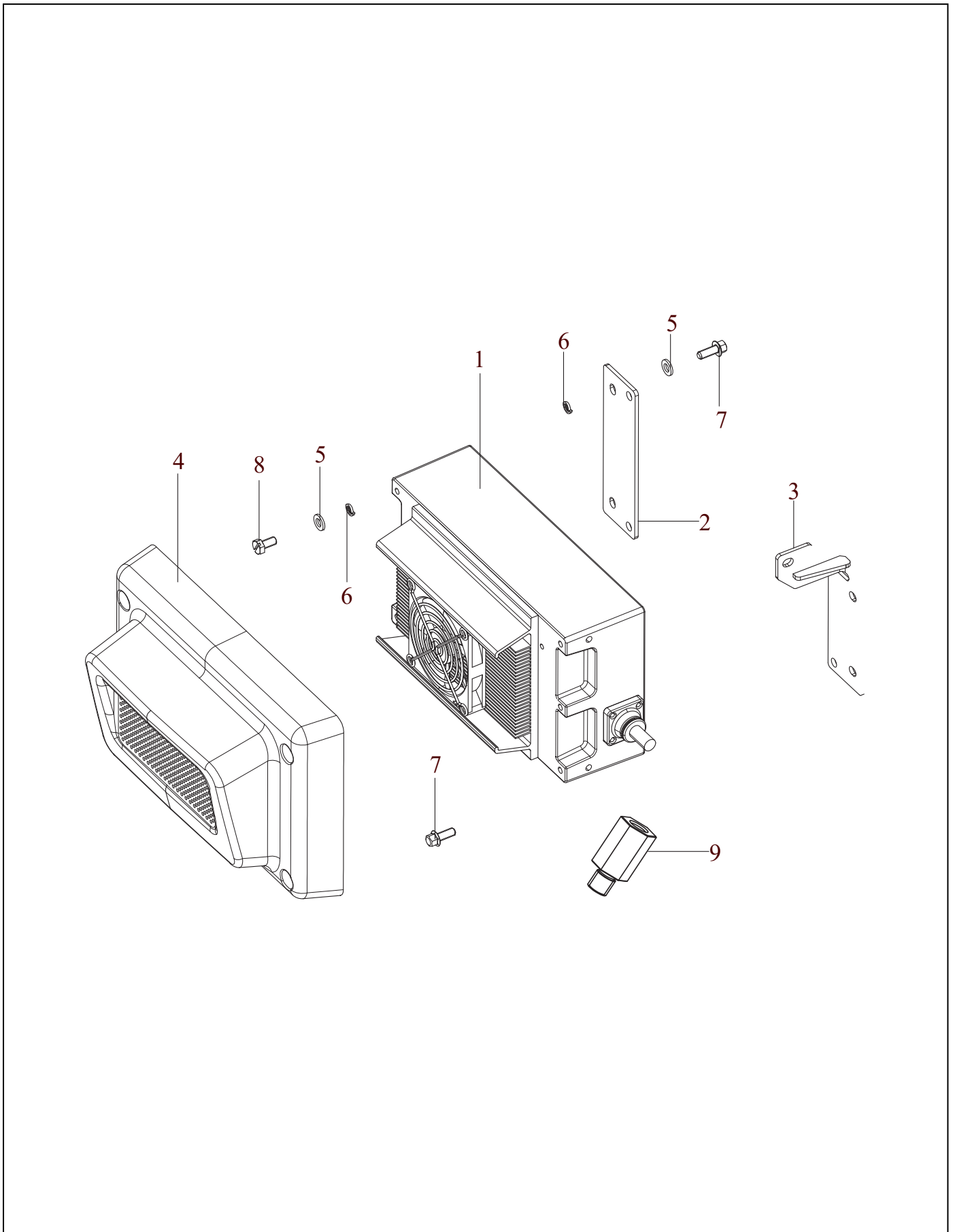


TABLE-72
COVER CHARGER SUBASSEMBLY

| Fig. No. | Part No. | Description | Qty |
|----------|---------------|--|-----|
| 1 | D10769700BB.9 | CHARGER ASSEMBLY 3.3KW | 1 |
| 2 | D11014100AA.9 | PLATE CHARGER MOUNTING FRONT | 1 |
| 3 | D11037910AB.9 | BRACKET ASSEMBLY CHARGER MOUNTING REAR | 1 |
| 4 | D11016090BA.9 | COVER CHARGER ASSEMBLY | 1 |
| 5 | D85500040.9 | WASHER M6 FLAT | 15 |
| 6 | D86500040AC.9 | WASHER M6 SPRING LOCK | 12 |
| 7 | D82501030.9 | SCREW M6X1.0X16-6.6 HEX HEAD FLANGED | 8 |
| 8 | D82500770.9 | SCREW M6X1.00X12-6.6 HEX HEAD SLOTTED | 4 |
| 9 | D11953360AB.9 | ADAPTOR SCREW M6 | 4 |

TABLE-73
ELECTRICAL ACCESSORIES SUBASSEMBLY CET-HST(USA)

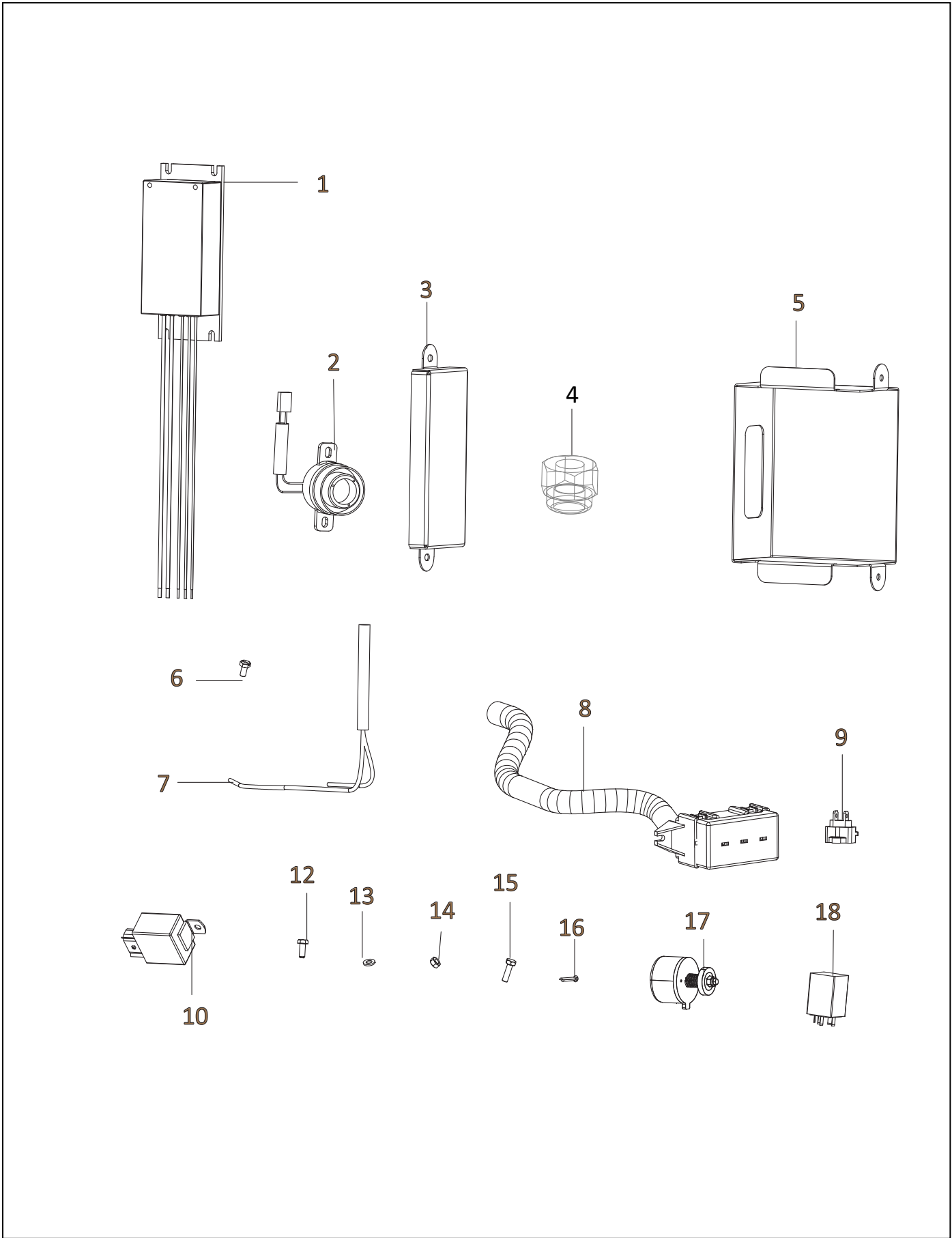


TABLE-73
ELECTRICAL ACCESSORIES SUBASSEMBLY CET-HST(USA)

| Fig. No. | Part No. | Description | Qty |
|----------|---------------|---|-----|
| 1 | D11366710AB.9 | CONVERTER DC TO DC ASSEMBLY-CET | 1 |
| 2 | D10645940.9 | BUZZER ASSEMBLY | 1 |
| 3 | D10799400.9 | COVER BATTERY BOX TOP | 1 |
| 4 | D10017930.9 | NUT M6X1.00 HEX NYLOCK | 1 |
| 5 | D10799410AC.9 | COVER BATTERY BOX BOTTOM | 1 |
| 6 | D82500770.9 | SCREW M6X1.00X12-6.6 HEX HEAD SLOTTED | 5 |
| 7 | D10789900AB.9 | HARNESS ASSEMBLY AUXILIARY BATTERY PIGTAIL | 1 |
| 8 | D11087020AB.9 | HARNESS ASSEMBLY FUSE BOX | 1 |
| 9 | D10521100.9 | SWITCH ASSEMBLY STOP LAMP (SPRING TYPE) | 1 |
| 10 | D10744970.9 | UNIT ENGINE SHUT OFF CONTROLLER TIMER (SEAT AND PARK OPC) | 1 |
| 11 | D11090500AA.9 | PIGTAIL ASSEMBLY MOTOR ENCODER | 1 |
| 12 | D82500220.9 | SCREW M6X1.00X15-8.8 HEX HEAD | 2 |
| 13 | D85500040.9 | WASHER M6 FLAT | 6 |
| 14 | D83500220.9 | NUT M6X1.00-5 HEX | 8 |
| 15 | D10034950.9 | SCREW M6X1.00X20-6.6 HEX HEAD | 4 |
| 16 | D88400040.9 | PIN 3.2X25.0 COTTER | 1 |
| 17 | D10768860AB.9 | CRUISE CONTROL SOLENOID | 1 |
| 18 | D10768850.9 | UNIT CRUISE CONTROLLER | 1 |

TABLE-74
HOOD FRONT SUBASSEMBLY

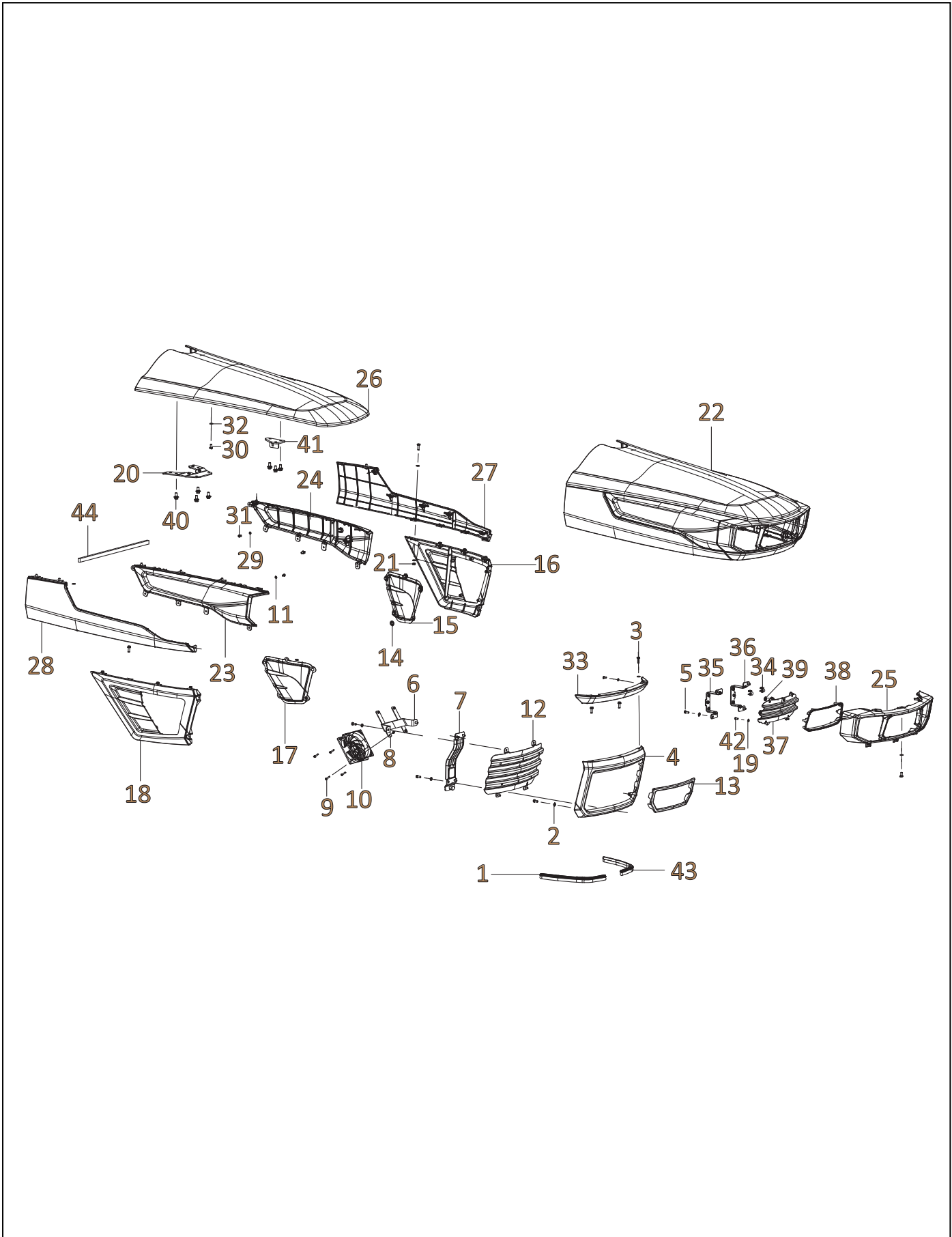


TABLE-74
HOOD FRONT SUBASSEMBLY

| Fig. No. | Part No. | Description | Qty |
|----------|---------------|---|-----|
| 1 | D10807570.9 | BEADING FRONT HOOD LOWER RH | 1 |
| 2 | D85500040.9 | WASHER M6 FLAT | 38 |
| 3 | D10034950.9 | SCREW M6X1.00X20-6.6 HEX HEAD | 11 |
| 4 | D11201400AA.9 | PANEL HOOD FRONT LOWER | 1 |
| 5 | D82500220.9 | SCREW M6X1.00X15-8.8 HEX HEAD | 16 |
| 6 | D10813040.9 | BRACKET ASSEMBLY AIR COOLING FAN MOUNTING | 1 |
| 7 | D10806980.9 | BRACKET ASSEMBLY PIN MOUNTING LATCH HOOD | 1 |
| 8 | D10017000.9 | NUT M4X0.70 NYLOCK | 4 |
| 9 | D81502010.9 | BOLT M4X20-6.8 HEX HEAD | 4 |
| 10 | D10800870BA.9 | FAN ASSEMBLY AIR COOLING | 1 |
| 11 | D85501240AA.9 | WASHER STAR LOCK 6.0 DIA | 6 |
| 12 | D11035570AA.9 | MESH LOWER FRONT | 1 |
| 13 | D11033370AA.9 | BEZEL HOOD FRONT LOWER CHROME | 1 |
| 14 | D85500560.9 | WASHER STAR LOCK 10.0 DIA | 10 |
| 15 | D11202220AA.9 | MESH SIDE LH | 1 |
| 16 | D11201390AA.9 | PANEL HOOD FRONT LOWER SIDE LH | 1 |
| 17 | D11202230AA.9 | MESH SIDE RH | 1 |
| 18 | D11201370AA.9 | PANEL HOOD FRONT LOWER SIDE RH | 1 |
| 19 | D85500090.9 | WASHER M5 FLAT | 4 |
| 20 | D10662370.9 | BRACKET HINGE TOP FRONT HOOD | 1 |
| 21 | D83500220.9 | NUT M6X1.00-5 HEX | 13 |
| 22 | D10563880.9 | HOOD TOP FRONT ASSEMBLY | 1 |
| 23 | D10563930.9 | PANEL CLADDING HOOD SIDE RH | 1 |
| 24 | D10563920.9 | PANEL CLADDING HOOD SIDE LH | 1 |
| 25 | D10563950.9 | FRAME HEAD LAMP | 1 |
| 26 | D10563890.9 | PANEL HOOD TOP | 1 |
| 27 | D10563900.9 | PANEL HOOD SIDE LH | 1 |
| 28 | D10563910.9 | PANEL HOOD SIDE RH | 1 |
| 29 | D10777370.9 | WASHER M5 HOOD TOP FRONT | 19 |
| 30 | D10392470.9 | SCREW M6 CROSS RECESSED | 11 |
| 31 | D82501160.9 | SCREW M5X0.80X10 CROSS RECESSED PAN HEAD | 19 |
| 32 | D10777380.9 | WASHER M6 HOOD TOP FRONT | 11 |
| 33 | D10563940.9 | PANEL HOOD FRONT MIDDLE | 1 |
| 34 | D10568750.9 | CLAMP WIRING HARNESS | 6 |
| 35 | D10575670.9 | BRACKET HEAD LAMP MOUNTING FRAME LOWER RH | 1 |
| 36 | D10575660.9 | BRACKET HEAD LAMP MOUNTING FRAME LOWER LH | 1 |
| 37 | D10559820.9 | MESH TOP FRONT | 1 |
| 38 | D10563960.9 | BEZEL HOOD FRONT CHROME | 1 |
| 39 | D85500550.9 | WASHER STAR LOCK 6.0 DIA | 6 |
| 40 | D81501580.9 | BOLT M8X1.25X16 HEX HEAD FLANGED | 7 |

TABLE-74
HOOD FRONT SUBASSEMBLY

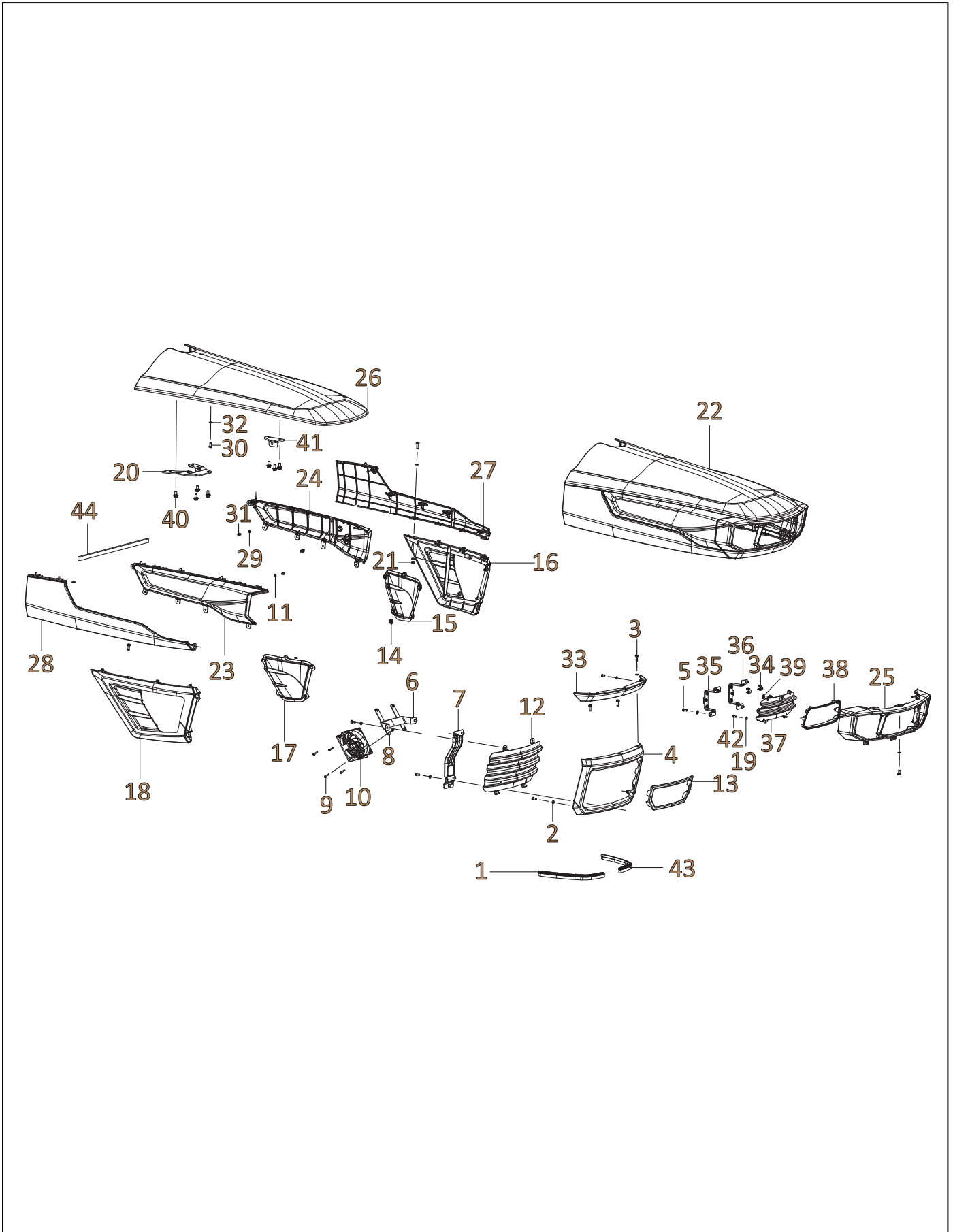


TABLE-74
HOOD FRONT SUBASSEMBLY

| Fig. No. | Part No. | Description | Qty |
|----------|-------------|---|-----|
| 41 | D10659950.9 | BRACKET ASSEMBLY GAS STRUT MOUNTING FRONT | 1 |
| 42 | D82500030.9 | SCREW M5X0.80X10-6.6 HEX HEAD | 4 |
| 43 | D10807560.9 | BEADING FRONT HOOD LOWER LH | 1 |
| 44 | D10573740.9 | FOAM SEALING HEAD LAMP | 2 |

TABLE-75
LATCH ASSEMBLY HOOD FRONT

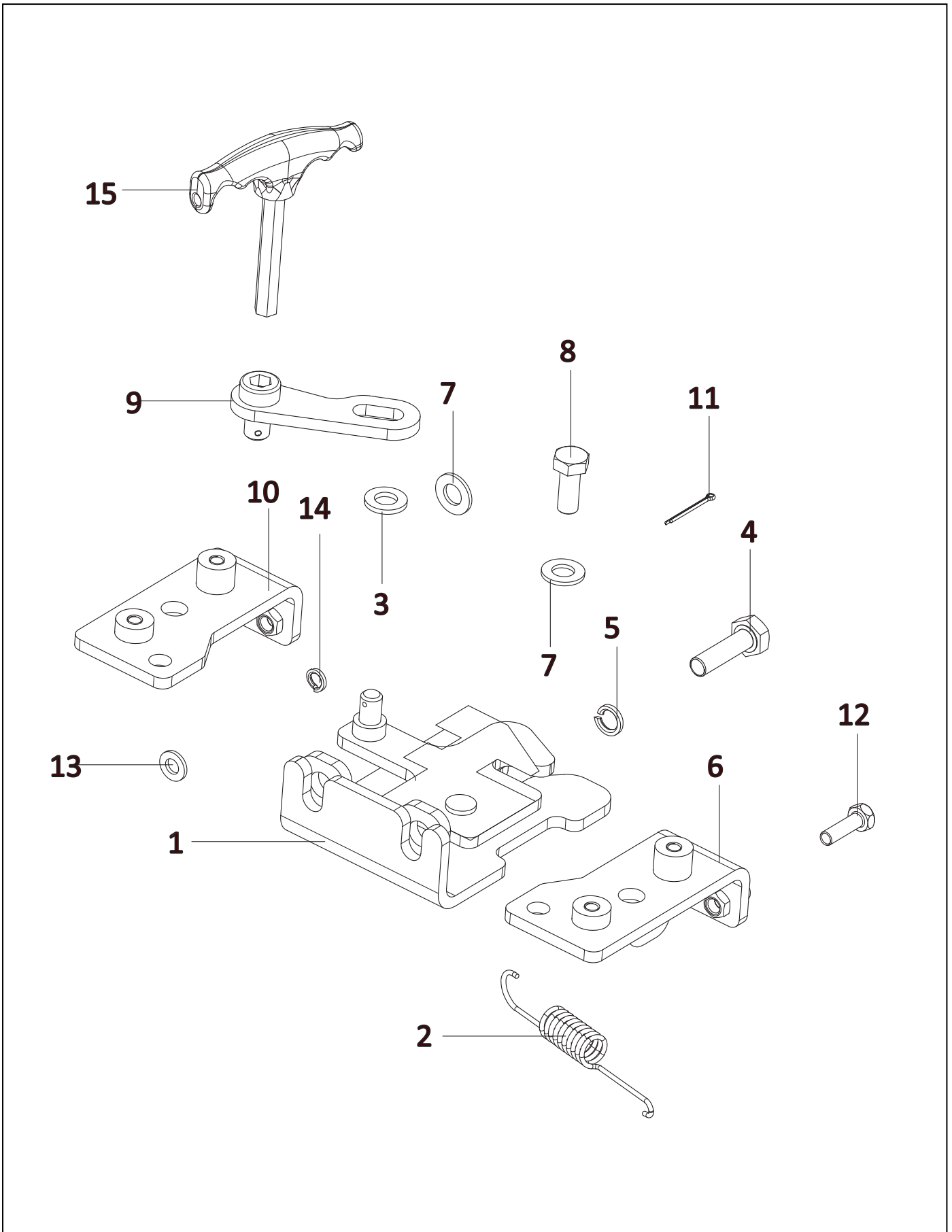


TABLE-75**LATCH ASSEMBLY HOOD FRONT**

| Fig. No. | Part No. | Description | Qty |
|-----------------|-----------------|---|------------|
| 1 | D10807010AB.9 | LATCH ASSEMBLY HOOD | 1 |
| 2 | D10560880.9 | SPRING LATCH HOOD | 1 |
| 3 | D10034590.9 | WASHER M8 FLAT | 1 |
| 4 | D81500310.9 | SCREW M8X1.25X30-8.8 HEX HEAD | 2 |
| 5 | D86500030AC.9 | WASHER M8 SPRING LOCK | 4 |
| 6 | D10933800AA.9 | BRACKET ASSEMBLY FRONT SUPPORT LH | 1 |
| 7 | D85500050.9 | WASHER M8 FLAT | 4 |
| 8 | D82500040.9 | SCREW M8X1.25X20-8.8 HEX HEAD | 2 |
| 9 | D10913330AB.9 | PIN ASSEMBLY LATCH ARM | 1 |
| 10 | D10933780AA.9 | BRACKET ASSEMBLY FRONT SUPPORT RH | 1 |
| 11 | D88400030.9 | PIN 2.5X25.0 COTTER | 2 |
| 12 | D82500120.9 | SCREW M6X1.00X20-6.6P HEX HEAD | 4 |
| 13 | D85500040.9 | WASHER M6 FLAT | 4 |
| 14 | D86500040AC.9 | WASHER M6 SPRING LOCK | 4 |
| 15 | D10790580AB.9 | KEY ALLEN AND KNOB ASSEMBLY LATCH OPENING | 1 |

TABLE-76
HOOD REAR SUB ASSEMBLY(CET-HST)

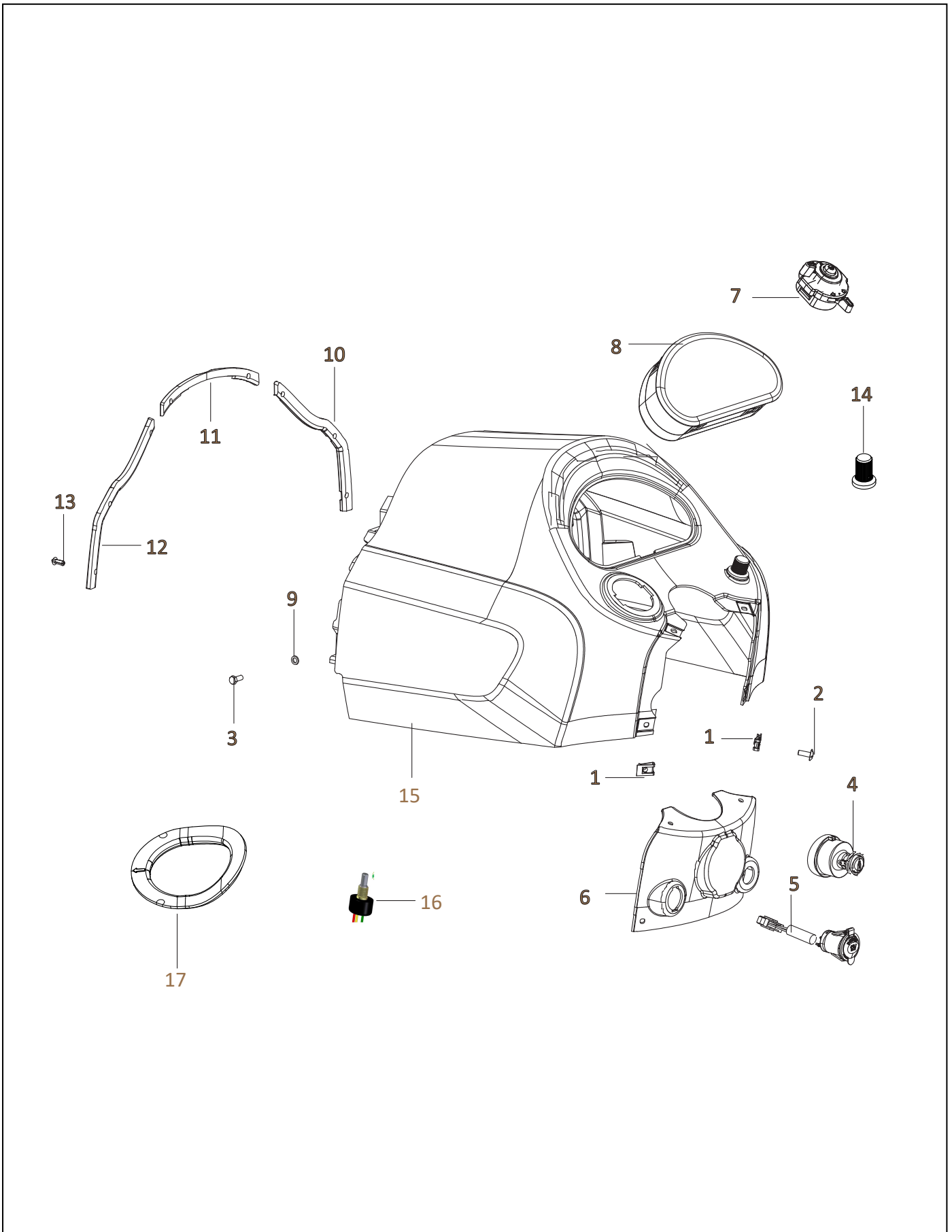


TABLE-76
HOOD REAR SUB ASSEMBLY(CET-HST)

| Fig. No. | Part No. | Description | Qty |
|----------|---------------|--|-----|
| 1 | D10565480.9 | CLIP NUT M6 | 4 |
| 2 | D82501190.9 | SCREW M6X1.0X16 TRUSS HEAD CROSS SLOTTED | 4 |
| 3 | D82500220.9 | SCREW M6X1.00X15-8.8 HEX HEAD | 4 |
| 4 | D10498410.9 | SWITCH ASSEMBLY HEATER AND STARTER | 1 |
| 5 | D10590410.9 | SOCKET MOBILE CHARGER ASSEMBLY | 1 |
| 6 | D11376730AA.9 | PANEL HOOD REAR | 1 |
| 7 | D10560720.9 | SWITCH ASSEMBLY COMBINATION | 1 |
| 8 | D10793930AD.9 | CLUSTER ASSEMBLY INSTRUMENT (CAN TOPOLOGY) | 1 |
| 9 | D85500110.9 | WASHER M6 FLAT | 4 |
| 10 | D10978070AA.9 | BEADING REAR HOOD RH | 1 |
| 11 | D10978050AA.9 | BEADING REAR HOOD MIDDLE | 1 |
| 12 | D10978060AA.9 | BEADING REAR HOOD LH | 1 |
| 13 | D11243840AA.9 | PIN PUSH BEADING HOOD REAR | 8 |
| 14 | D11846770AA.9 | KNOB ASSEMBLY HAND POTENTIOMETER | 1 |
| 15 | D11379140AC.9 | HOOD ASSEMBLY REAR | 1 |
| 16 | D11846800AA.9 | POTENTIOMETER THROTTLE ASSEMBLY HAND POTENTIOMETER | 1 |
| 17 | D10565440.9 | GROMMET REAR HOOD | 1 |

TABLE-77
FRAME HOOD FRONT SUBASSEMBLY

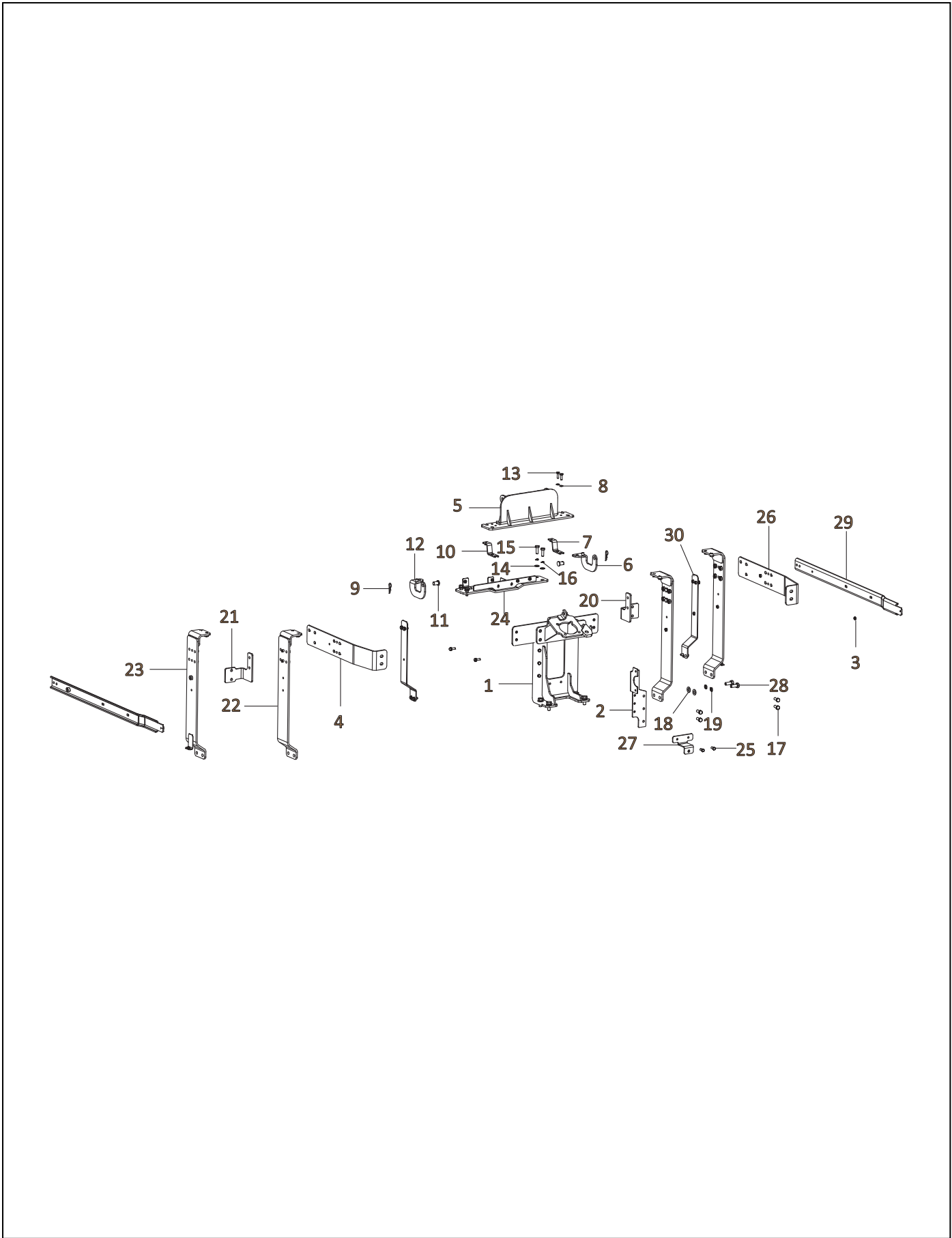


TABLE-77
FRAME HOOD FRONT SUBASSEMBLY

| Fig. No. | Part No. | Description | Qty |
|----------|---------------|---|-----|
| 1 | D11904930AA.9 | BRACKET ASSEMBLY STEERING COLUMN MOUNTING | 1 |
| 2 | D10797040.9 | BRACKET SUPPORT STEERING COLUMN AND BUZZER MOUNTING | 1 |
| 3 | D83500070.9 | NUT M6X1.00-6 HEX | 9 |
| 4 | D10788790AB.9 | BRACKET SUPPORT FRAME ASSEMBLY HOOD REAR | 1 |
| 5 | D10788670AB.9 | BRACKET ASSEMBLY HINGE HOOD FRONT | 1 |
| 6 | D10581060.9 | BRACKET RH HINGE FRONT HOOD | 1 |
| 7 | D10798630AB.9 | BRACKET SUPPORT FLANGE HOOD REAR RH | 1 |
| 8 | D85500040.9 | WASHER M6 FLAT | 16 |
| 9 | D10565520.9 | PIN SPRING RETAINING 2X40 | 2 |
| 10 | D10796960AB.9 | BRACKET SUPPORT FLANGE HOOD REAR LH | 1 |
| 11 | D10560960.9 | PIN HINGE ASSEMBLY FRONT HOOD | 2 |
| 12 | D10581070.9 | BRACKET LH HINGE FRONT HOOD | 1 |
| 13 | D81500490.9 | BOLT M6X1.0X20-6G HEX HEAD | 8 |
| 14 | D85500050.9 | WASHER M8 FLAT | 26 |
| 15 | D81501470.9 | BOLT M8X1.25X25-10.9 HEX HEAD | 22 |
| 16 | D86500030AC.9 | WASHER M8 SPRING LOCK | 26 |
| 17 | D81500110.9 | BOLT M8X1.25X20-8.8 HEX HEAD | 4 |
| 18 | D85500140.9 | WASHER M10 FLAT | 12 |
| 19 | D86500050AC.9 | WASHER M10 SPRING LOCK | 12 |
| 20 | D10805440.9 | BRACKET MIRROR MOUNTING RH | 1 |
| 21 | D10805430.9 | BRACKET MIRROR MOUNTING LH | 1 |
| 22 | D10788630AC.9 | FRAME ASSEMBLY HOOD REAR | 2 |
| 23 | D10788660AD.9 | FRAME ASSEMBLY HOOD FRONT | 2 |
| 24 | D10788710AC.9 | BRACKET ASSEMBLY GAS STRUT MOUNTING | 1 |
| 25 | D82500220.9 | SCREW M6X1.00X15-8.8 HEX HEAD | 13 |
| 26 | D11435700AA.9 | BRACKET SUPPORT FRAME ASSEMBLY HOOD REAR RH | 1 |
| 27 | D11911360AA.9 | BRACKET FLASHER MOUNTING | 1 |
| 28 | D81503300.9 | BOLT M10X1.50X28-10.9 HEX HEAD | 12 |
| 29 | D10790610AB.9 | BRACKET GUIDE SUPPORT | 2 |
| 30 | D10790630.9 | BRACKET SUPPORT SIDE COVER FRONT | 2 |

TABLE-78
STRUT BONNET OPENING ASSEMBLY

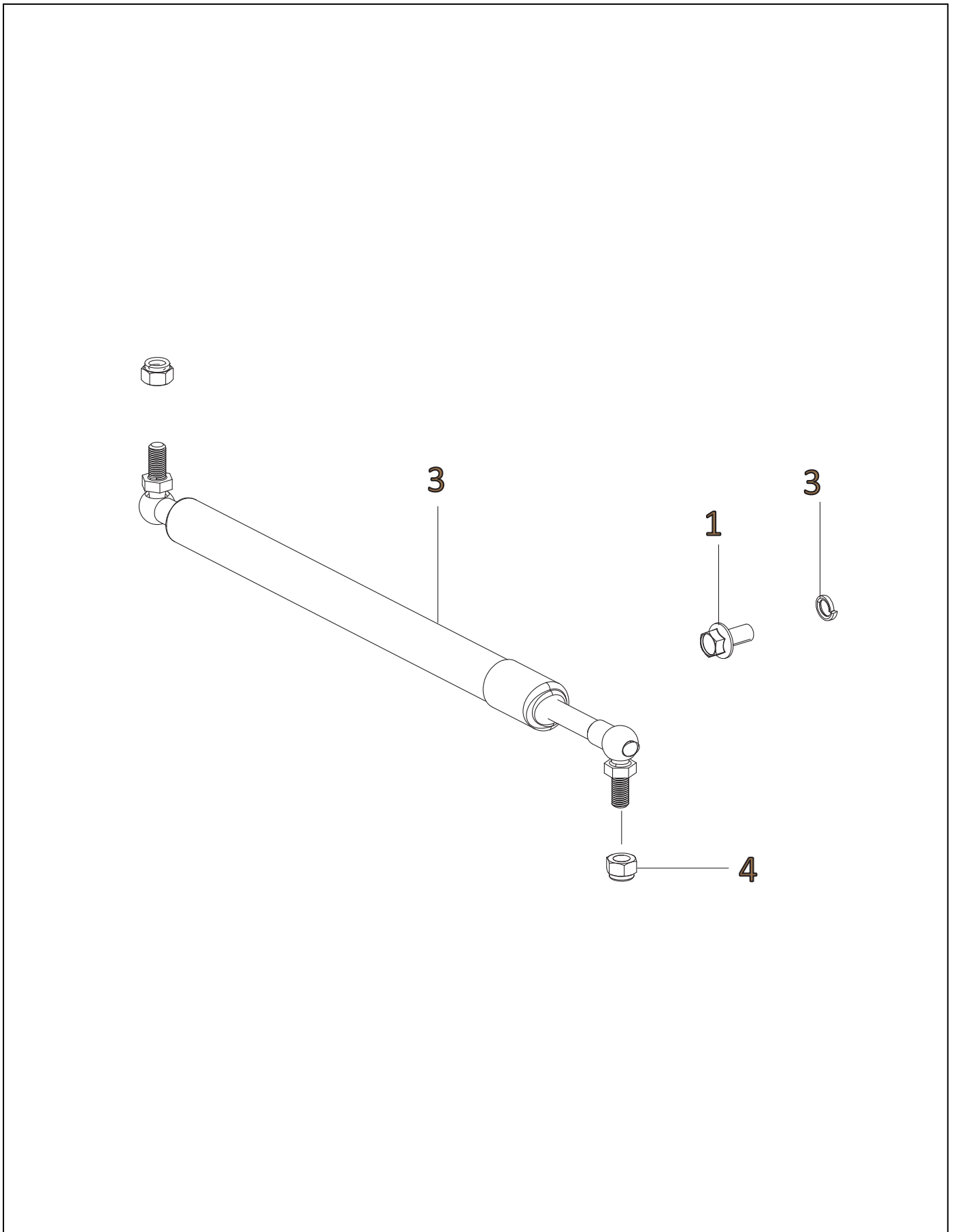


TABLE-78
STRUT BONNET OPENING ASSEMBLY

| Fig. No. | Part No. | Description | Qty |
|----------|---------------|----------------------------------|-----|
| 1 | D81501580.9 | BOLT M8X1.25X16 HEX HEAD FLANGED | 2 |
| 2 | D86500030AC.9 | WASHER M8 SPRING LOCK | 2 |
| 3 | D10656550.9 | STRUT BONNET OPENING | 1 |
| 4 | D83500160.9 | NUT M8X1.25 NYLOCK HEX | 2 |

TABLE-79
FENDER SUBASSEMBLY (INDUSTRIAL / TURF TYRES)

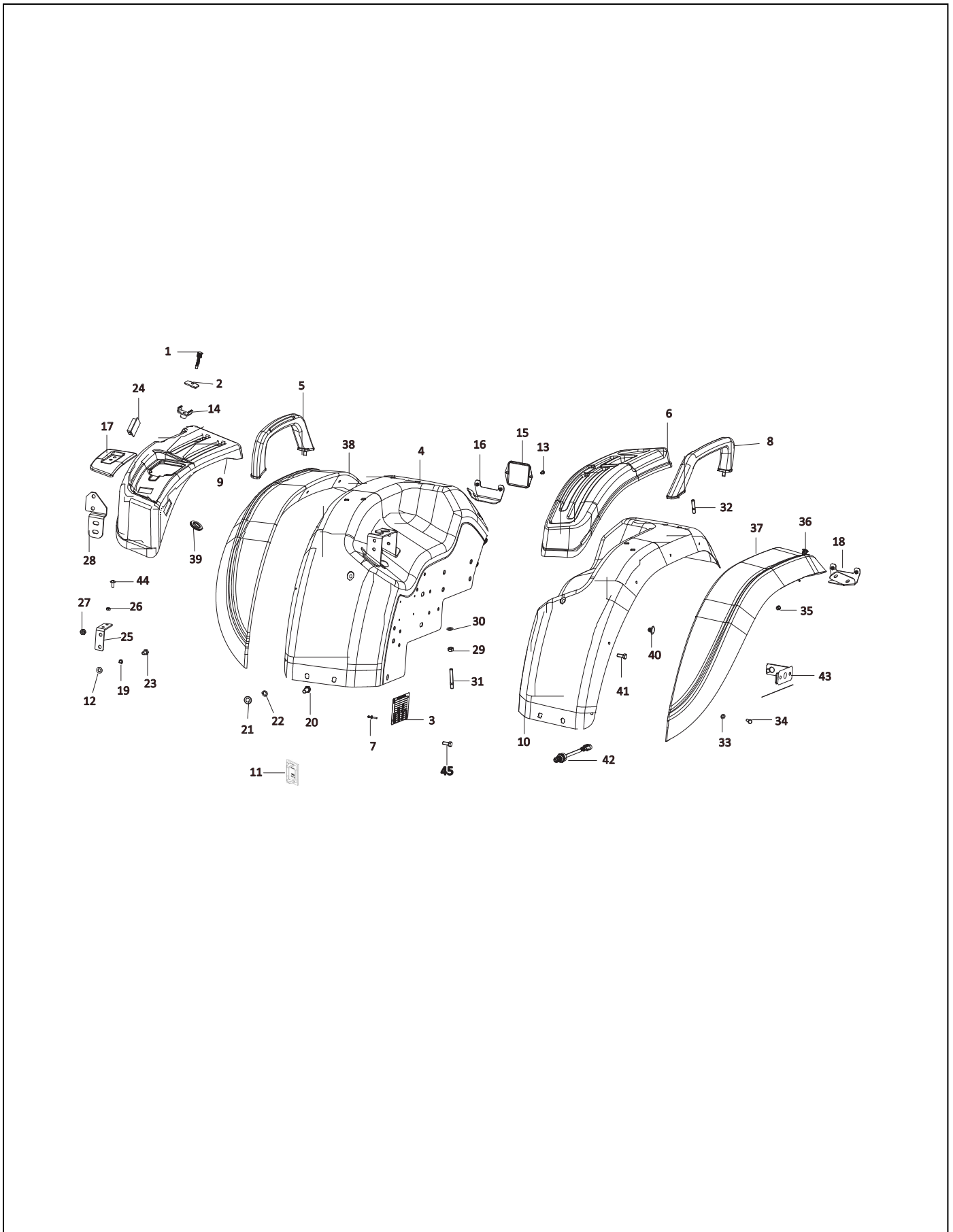


TABLE-79
FENDER SUBASSEMBLY (INDUSTRIAL / TURF TYRES)

| Fig. No. | Part No. | Description | Qty |
|----------|---------------|---|-----|
| 1 | D10668670.9 | KNOB HYDRAULIC LIFT CONTROL LEVER STOP | 2 |
| 2 | D10783800.9 | PAD HYDRAULIC LIFT CONTROL LEVER UPPER STOPPER | 2 |
| 3 | D10534070.9 | PLATE DATA STATUTORY | 1 |
| 4 | D10775280AE.9 | FENDER ASSEMBLY RH | 1 |
| 5 | D10567560.9 | HANDLE FENDER ASSEMBLY RH | 1 |
| 6 | D10561010.9 | CONSOLE LH RANGE LEVER | 1 |
| 7 | D10339690.9 | RIVET 4X6.0MM (CLINCH TYPE) | 4 |
| 8 | D10567570.9 | HANDLE FENDER ASSEMBLY LH | 1 |
| 9 | D10718590.9 | CONSOLE JOYSTICK LOADER ACTUATION | 1 |
| 10 | D10696080AB.9 | FENDER ASSEMBLY LH | 1 |
| 11 | D11719940AA.9 | COVER DUMMY SWITCH | 1 |
| 12 | D85500130.9 | WASHER M8 FLAT | 6 |
| 13 | D82501160.9 | SCREW M5X0.80X10 CROSS RECESSED PAN HEAD | 4 |
| 14 | D10783770.9 | PAD ASSEMBLY HYDRAULIC LIFT CONTROL LEVER LOWER STOPPER | 2 |
| 15 | D10554130.9 | REFLECTOR REAR | 2 |
| 16 | D10663690.9 | BRACKET REAR REFLECTOR RH | 1 |
| 17 | D10871140.9 | COVER CONSOLE JOYSTICK | 1 |
| 18 | D10663680.9 | BRACKET REAR REFLECTOR LH | 1 |
| 19 | D86500030AC.9 | WASHER M8 SPRING LOCK | 6 |
| 20 | D81500480.9 | BOLT M10X1.50X30-6.6 HEX HEAD | 18 |
| 21 | D85500010.9 | WASHER M10 FLAT | 18 |
| 22 | D86500090.9 | WASHER M10 SPRING LOCK | 10 |
| 23 | D81503090.9 | BOLT M8X1.25X16-8.8 HEX HEAD | 4 |
| 24 | D12139370AA.9 | CAP DUMMY 40X20 | 1 |
| 25 | D10871150.9 | BRACKET ASSEMBLY MOUNTING COVER CONSOLE | 1 |
| 26 | D83500070.9 | NUT M6X1.00-6 HEX | 2 |
| 27 | D83500060.9 | NUT M8X1.25-6 HEX | 4 |
| 28 | D10778110.9 | BRACKET JOYSTICK LOADER ACTUATION MOUNTING FRONT | 1 |
| 29 | D83500110.9 | NUT M8X1.25-8 HEX | 10 |
| 30 | D85500050.9 | WASHER M8 FLAT | 8 |
| 31 | D84500160.9 | STUD B M8X1.25X60-8.8 | 2 |
| 32 | D84500170.9 | STUD B M8X1.25X42-8.8 | 4 |
| 33 | D85500040.9 | WASHER M6 FLAT | 12 |
| 34 | D81500360.9 | BOLT M6X1.00X16-9.8 HEX HEAD | 12 |
| 35 | D83500350.9 | NUT M6X1.00 NYLOCK HEX | 12 |
| 36 | D93100360.9 | PLUG FENDER DIA 11.0 | 4 |
| 37 | D10696120.9 | FLAP FENDER LH | 1 |
| 38 | D10696130.9 | FLAP FENDER RH | 1 |
| 39 | D93100550.9 | PLUG DIA 27 | 3 |
| 40 | D10433490.9 | GROMMET TOOL BOX (DIA 9) | 1 |

TABLE-79
FENDER SUBASSEMBLY (INDUSTRIAL / TURF TYRES)

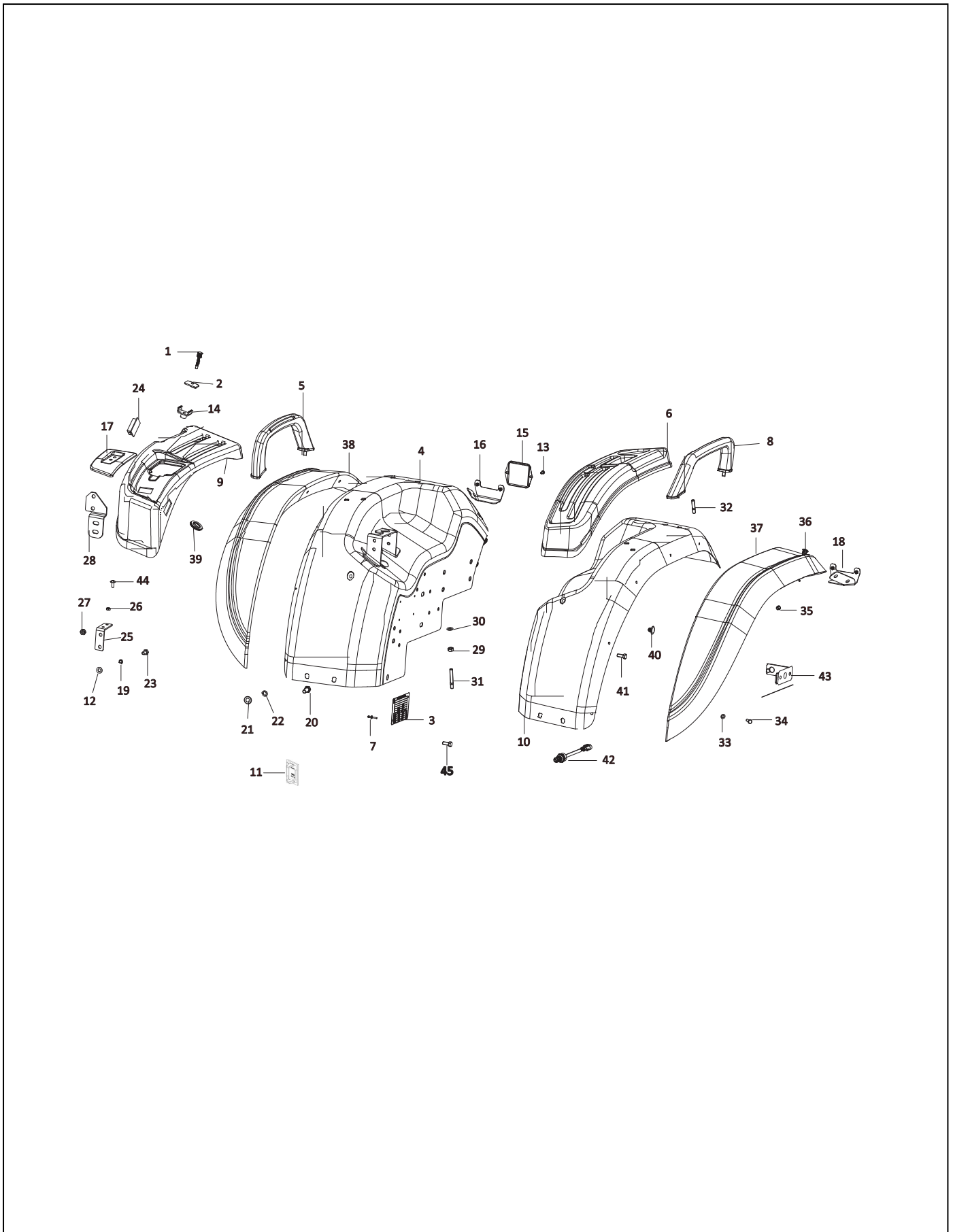


TABLE-79
FENDER SUBASSEMBLY (INDUSTRIAL / TURF TYRES)

| Fig. No. | Part No. | Description | Qty |
|----------|-------------|--|-----|
| 41 | D81500110.9 | BOLT M8X1.25X20-8.8 HEX HEAD | 2 |
| 42 | D10716760.9 | SWITCH ASSEMBLY (NO TYPE) | 1 |
| 43 | D10664480.9 | BRACKET ASSEMBLY HOLDING GEAR SHIFT SWITCH | 1 |
| 44 | D82501190.9 | SCREW M6X1.0X16 TRUSS HEAD CROSS SLOTTED | 2 |
| 45 | D82500040.9 | SCREW M8X1.25X20-8.8 HEX HEAD | 6 |

TABLE-80
ROPS FOLDABLE SUBASSEMBLY COMPACT

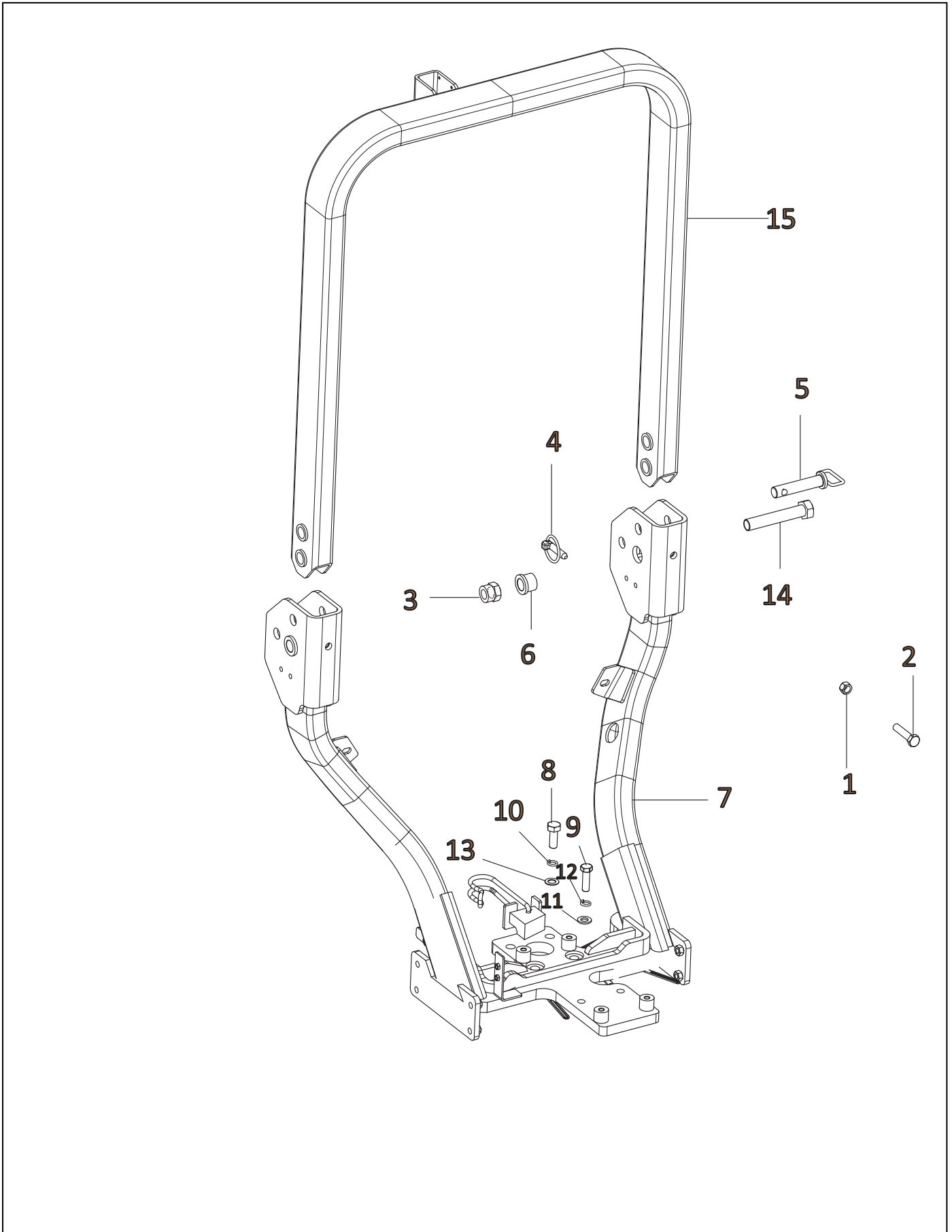


TABLE-80
ROPS FOLDABLE SUBASSEMBLY COMPACT

| Fig. No. | Part No. | Description | Qty |
|----------|---------------|---|-----|
| 1 | D83500290.9 | NUT M12X1.75 HEX | 2 |
| 2 | D81500170.9 | BOLT M12X1.75X55-10.9 HEX HEAD | 2 |
| 3 | D83500670.9 | NUT M20X2.50 HEX NYLOCK | 2 |
| 4 | D10014880.9 | PIN AND RING ASSEMBLY LOWER LIFT LINK LYNCH | 2 |
| 5 | D10549890.9 | PIN ROPS LOCKING | 2 |
| 6 | D10549880.9 | BUSH COLLAR ROPS FRAME | 2 |
| 7 | D11449580AA.9 | BASE ASSEMBLY ROPS FOLDABLE | 1 |
| 8 | D81500740.9 | BOLT M14X2.00X35-10.9 HEX HEAD LOCK | 4 |
| 9 | D81501550.9 | BOLT M12X1.75X40-10.9 HEX HEAD | 2 |
| 10 | D86500070.9 | WASHER M14 SPRING LOCK | 4 |
| 11 | D85500060.9 | WASHER M12 FLAT | 2 |
| 12 | D86500020.9 | WASHER M12 SPRING LOCK | 2 |
| 13 | D85500510.9 | WASHER M14X1.5 FLAT | 4 |
| 14 | D81503130.9 | BOLT M20X2.5X115-8.8 HEX HEAD | 2 |
| 15 | D10979750AB.9 | FRAME ASSEMBLY ROPS FOLDABLE COMPACT | 1 |

TABLE-81
BOARD RUNNING RH AND LH SUBASSEMBLY (HST)

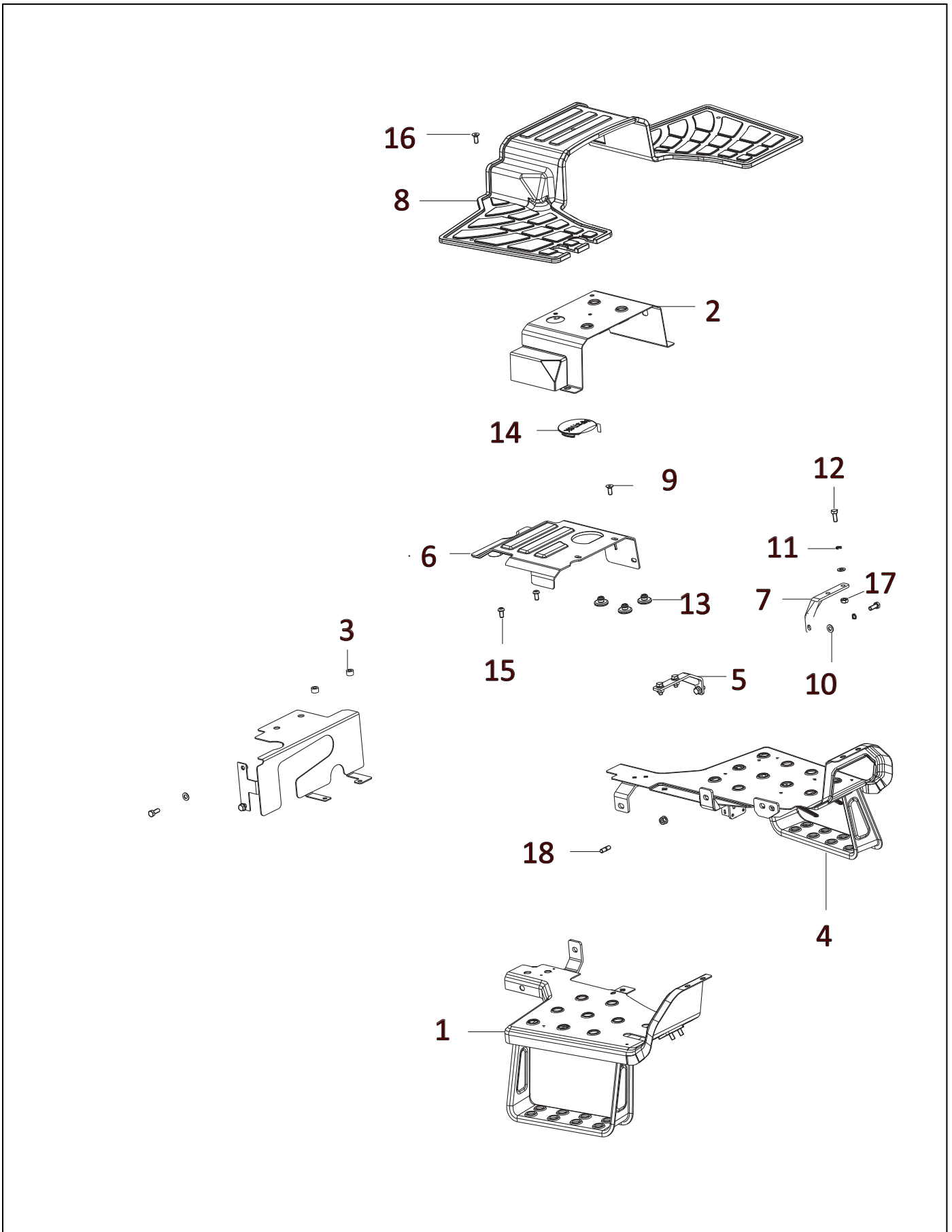


TABLE-81
BOARD RUNNING RH AND LH SUBASSEMBLY (HST)

| Fig. No. | Part No. | Description | Qty |
|----------|---------------|---|-----|
| 1 | D11337120AC.9 | BOARD RUNNING ASSEMBLY RH | 1 |
| 2 | D11353710AB.9 | BOARD RUNNING CENTER ASSEMBLY | 1 |
| 3 | D11569300AA.9 | COVER ASSEMBLY DRIVER SEAT FLOOR | 1 |
| 4 | D11346260AB.9 | BOARD RUNNING ASSEMBLY LH | 1 |
| 5 | D10787340AB.9 | BRACKET ASSEMBLY RUNNING BOARD SUPPORT FRONT RH | 1 |
| 6 | D11559930AA.9 | CONSOLE GEAR AND DIFFERENTIAL HOUSING | 1 |
| 7 | D10787320AB.9 | BRACKET ASSEMBLY RUNNING BOARD SUPPORT FRONT LH | 1 |
| 8 | D11338610AA.9 | MAT RUNNING BOARD FRONT | 1 |
| 9 | D10152630.9 | SCREW M8X1.25X20 COUNTERSUNK SOCKET HEAD | 6 |
| 10 | D85500050.9 | WASHER M8 FLAT | 16 |
| 11 | D86500030AC.9 | WASHER M8 SPRING LOCK | 14 |
| 12 | D81500110.9 | BOLT M8X1.25X20-8.8 HEX HEAD | 12 |
| 13 | D10562340.9 | GROMMET FUEL TANK | 3 |
| 14 | D10614820.9 | CAP DIPSTICK | 1 |
| 15 | D82501150.9 | SCREW M8X1.25X16 BUTTON HEAD SOCKET CAP | 2 |
| 16 | D10570580.9 | PIN PUSH RUNNING BOARD MAT | 5 |
| 17 | D83500060.9 | NUT M8X1.25-6 HEX | 4 |
| 18 | D84500180.9 | STUD B M8X1.25X28-8.8 | 4 |

TABLE-82
SEAT DRIVER SUBASSEMBLY (EXPORT)

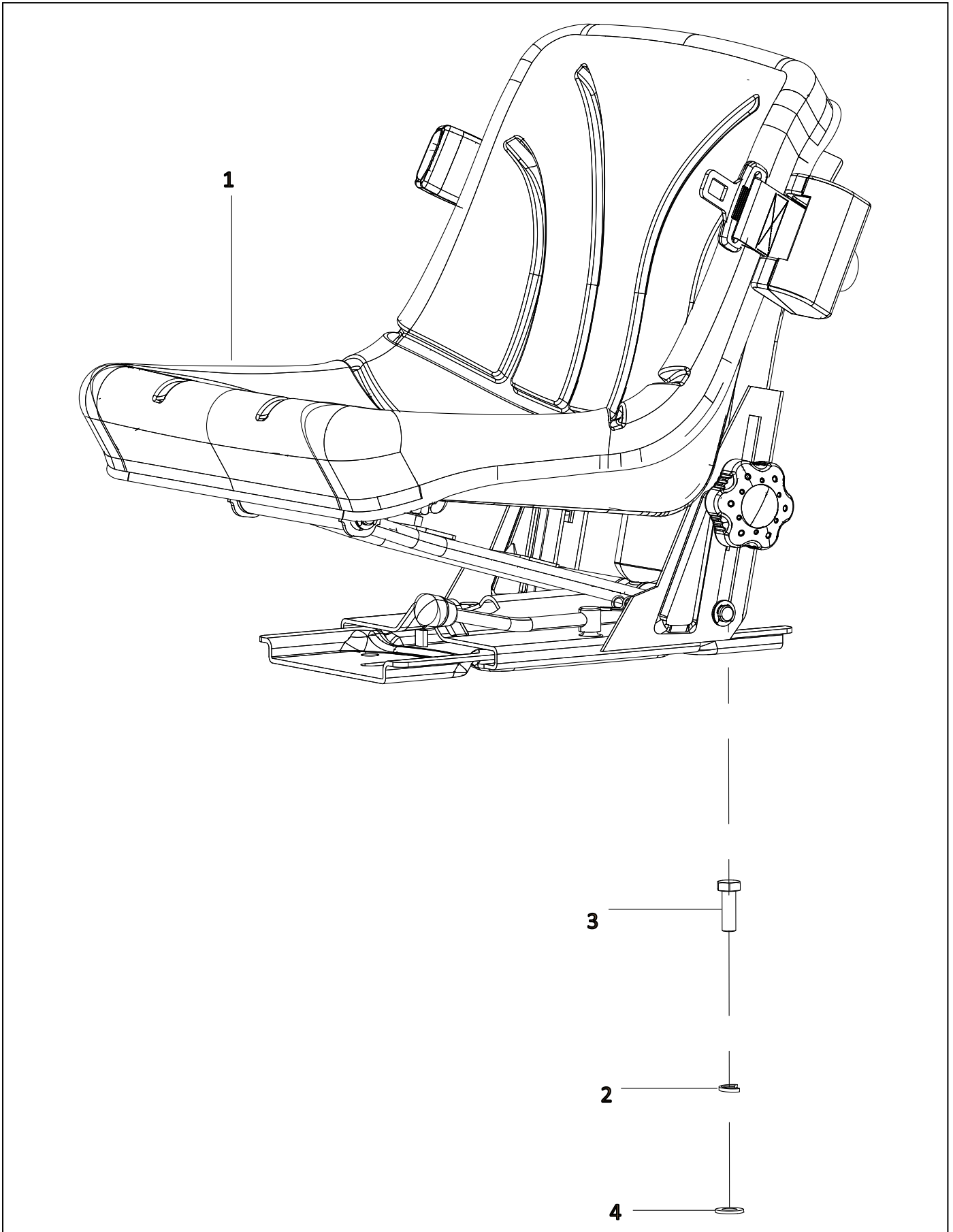


TABLE-82
SEAT DRIVER SUBASSEMBLY (EXPORT)

| Fig. No. | Part No. | Description | Qty |
|----------|---------------|-------------------------------|-----|
| 1 | D10563080AC.9 | SEAT ASSEMBLY DRIVER | 1 |
| 2 | D86500050AC.9 | WASHER M10 SPRING LOCK | 4 |
| 3 | D81500060.9 | BOLT M10X1.50X30-8.8 HEX HEAD | 4 |
| 4 | D85500140.9 | WASHER M10 FLAT | 4 |

TABLE-83
HANGER FRONT WEIGHT AND BOLT ASSEMBLY

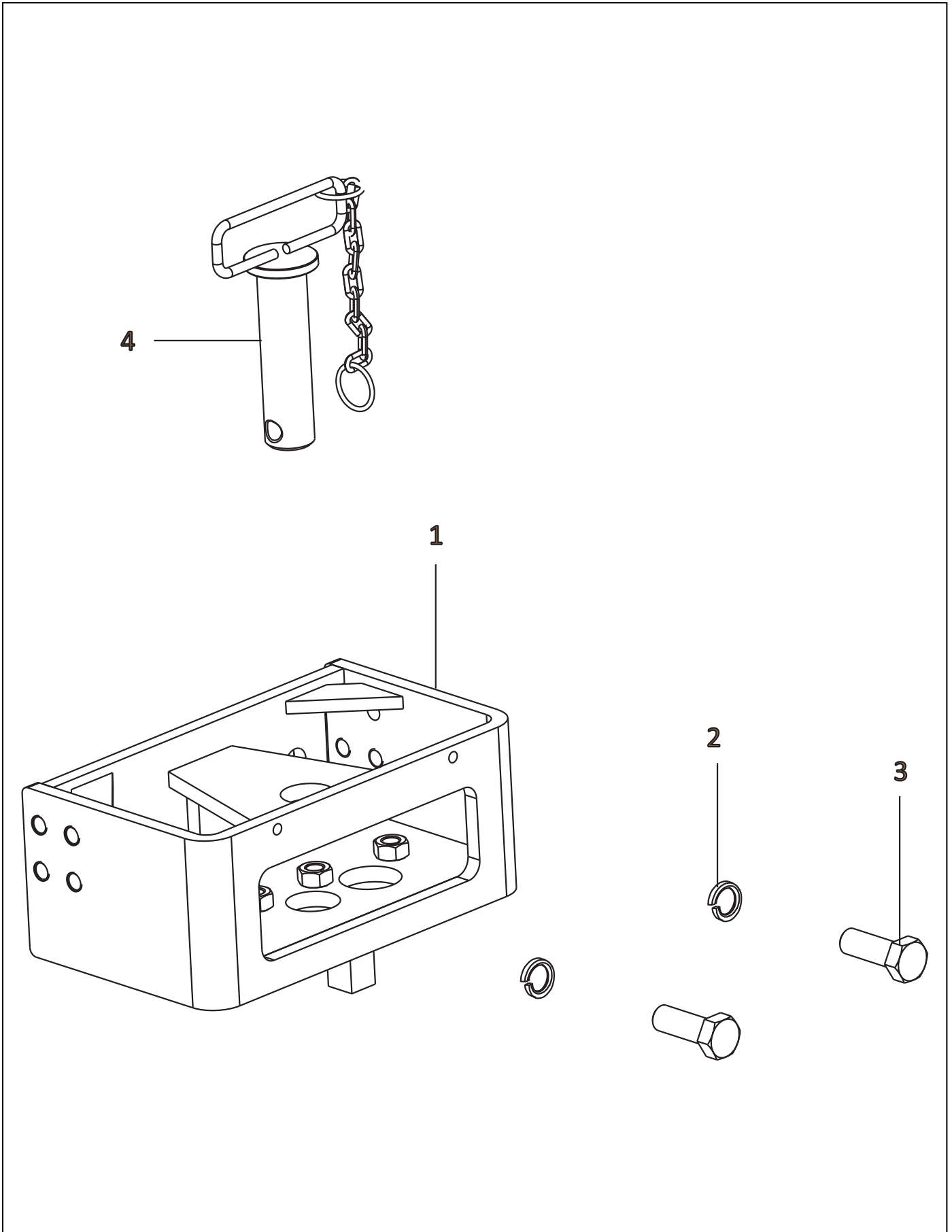


TABLE-83
HANGER FRONT WEIGHT AND BOLT ASSEMBLY

| Fig. No. | Part No. | Description | Qty |
|----------|---------------|--------------------------------------|-----|
| 1 | D10891080AE.9 | SUPPORT FRONT HANGER WEIGHT ASSEMBLY | 1 |
| 2 | D86500060.9 | WASHER M16 SPRING LOCK | 2 |
| 3 | D81502100AD.9 | BOLT M16X2.00X45-12.9 HEX HEAD | 2 |
| 4 | D10546550AB.9 | PIN ASSEMBLY TOW HOOK FRONT | 1 |

TABLE-84
ACCESSORIES SUBASSEMBLY (USA)

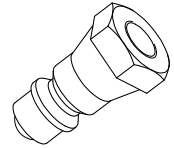
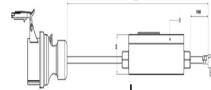
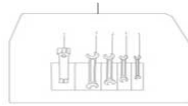
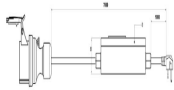


TABLE-84
ACCESSORIES SUBASSEMBLY (USA)

| Fig. No. | Part No. | Description | Qty |
|----------|---------------|--------------------------------------|-----|
| 1 | D11248910AB.9 | CHARGING CABLE BATTERY ASSEMBLY 220V | 1 |
| 2 | D10698100AE.9 | TOOL KIT | 1 |
| 3 | D11248650AB.9 | CHARGING CABLE BATTERY ASSEMBLY 110V | 1 |
| 4 | D10173630.9 | ADAPTOR VALVE HYDRAULIC REMOTE | 2 |

TABLE-85
DECAL AND BADGES MODEL IDENTIFICATION ASSEMBLY ELECTRIC (ALL VARIANTS-HST)

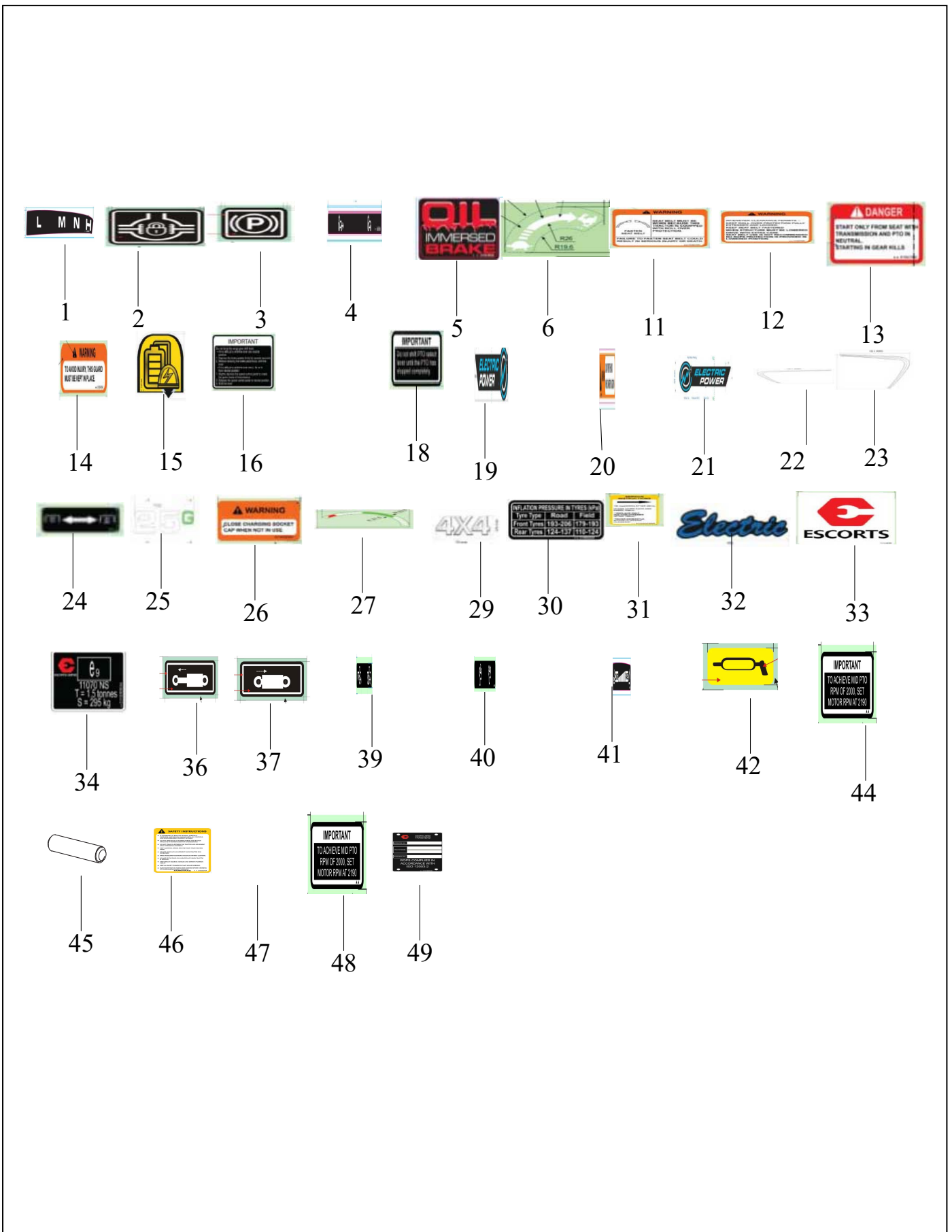


TABLE-85
DECAL AND BADGES MODEL IDENTIFICATION ASSEMBLY ELECTRIC (ALL VARIANTS-HST)

| Fig. No. | Part No. | Description | Qty |
|----------|---------------|--|-----|
| 1 | D10570800.9 | DECAL RANGE | 1 |
| 2 | D10570020.9 | DECAL DIFFERENTIAL LOCK | 1 |
| 3 | D10570050.9 | DECAL PARKING BRAKE | 1 |
| 4 | D10570780.9 | DECAL 4WD ENGAGE DISENGAGE | 1 |
| 5 | D10570030.9 | DECAL OIL IMMERSSED BRAKE (RED) | 1 |
| 6 | D11210570AA.9 | DECAL HAND THROTTLE | 1 |
| 11 | D10647910.9 | DECAL SEAT BELT WARNING | 1 |
| 12 | D10647900.9 | DECAL ROPS WARNING | 1 |
| 13 | D10647880.9 | DECAL DANGER GEAR | 1 |
| 14 | D10647840.9 | DECAL PTO GUARD WARNING | 1 |
| 15 | D10817660.9 | DECAL CHARGING SOCKET | 1 |
| 16 | D10616510.9 | DECAL RANGE GEAR SHIFT LEVER INSTRUCTION | 1 |
| 18 | D10616570.9 | DECAL PTO LEVER INSTRUCTION | 1 |
| 19 | D10817650.9 | BADGE ELECTRIC POWER RH | 1 |
| 20 | D10817700.9 | DECAL CHARGER WARNING | 1 |
| 21 | D10817640.9 | BADGE ELECTRIC POWER LH | 1 |
| 22 | D10692820.9 | BADGE HP CHROME ELEMENT RH | 1 |
| 23 | D10692810.9 | BADGE HP CHROME ELEMENT LH | 1 |
| 24 | D10616540.9 | DECAL CLUTCH PTO | 1 |
| 25 | D11043260AC.9 | BADGE 25G CURVE | 2 |
| 26 | D11043230AA.9 | DECAL WARNING CHARGING SPOCKET CAP | 1 |
| 27 | D11043250AA.9 | DECAL IGNITION SWITCH ELECTRIC | 1 |
| 29 | D10695920.9 | BADGE 4X4 | 1 |
| 30 | D10694240.9 | DECAL TYRE PRESSURE | 1 |
| 31 | D11235370AA.9 | DECAL HYDRAULIC OIL STRAINER SERVICE | 1 |
| 32 | D11222330AB.9 | BADGE ELECTRIC | 2 |
| 33 | D11235420AA.9 | DECAL ESCORTS FOR BATTERY | 1 |
| 34 | D11309590AA.9 | DECAL SWINGING DRAW BAR | 1 |
| 36 | D10588450.9 | DECAL QRC CYLINDER OPEN | 1 |
| 37 | D10588440.9 | DECAL QRC CYLINDER CLOSED | 1 |
| 39 | D10616560.9 | DECAL REAR PTO | 1 |
| 40 | D10616550.9 | DECAL MID PTO | 1 |
| 41 | D10570340.9 | DECAL POSITION LEVER | 1 |
| 42 | D10589690.9 | DECAL GREASE GUN | 5 |
| 44 | D11210550AA.9 | DECAL PTO WARNING | 1 |
| 46 | D84500450.9 | STUD B M12X45-10.9 | 2 |
| 47 | D12082810AA.9 | DECAL TRACTOR SAFETY INSTRUCTION | 1 |
| 48 | D11925170AB.9 | BADGE HST | 2 |
| 49 | D12127270AA.9 | DECAL TRACTOR SPEED CHART CET-HST | 1 |
| 50 | D10788900.9 | DECAL ROPS E MARKED | 1 |